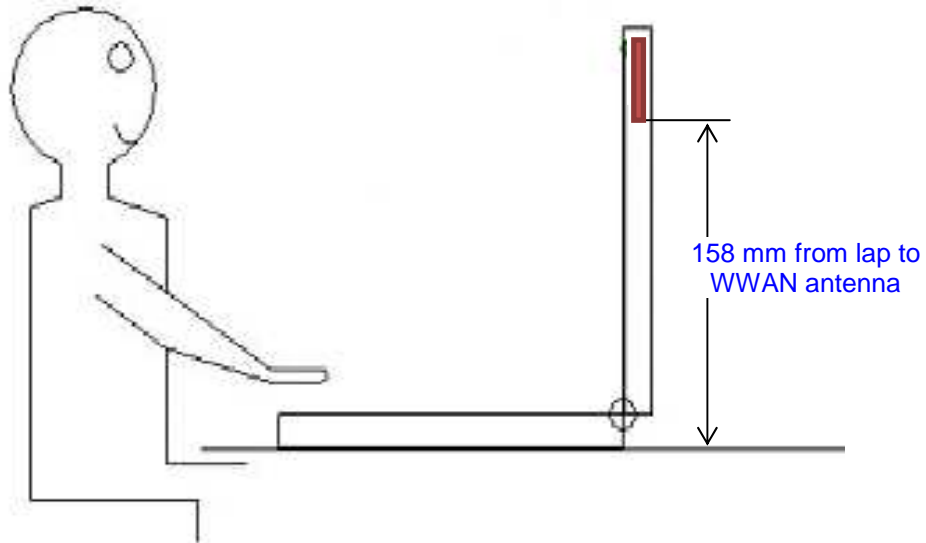
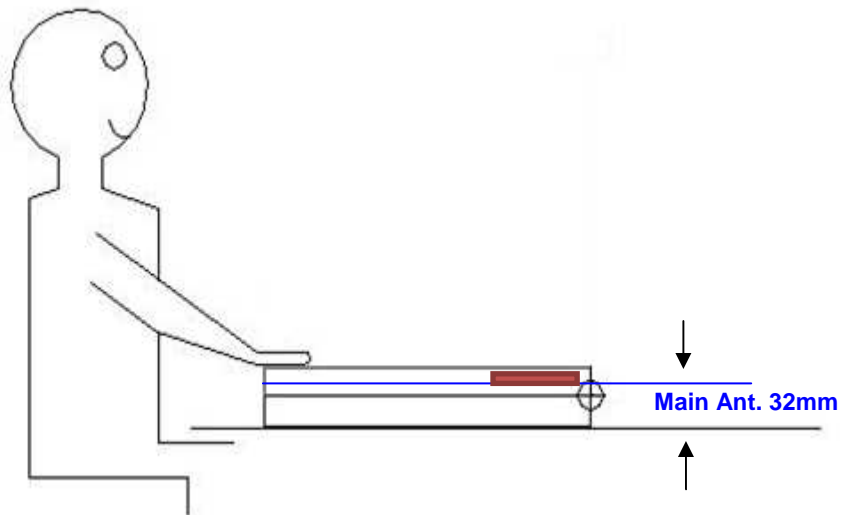


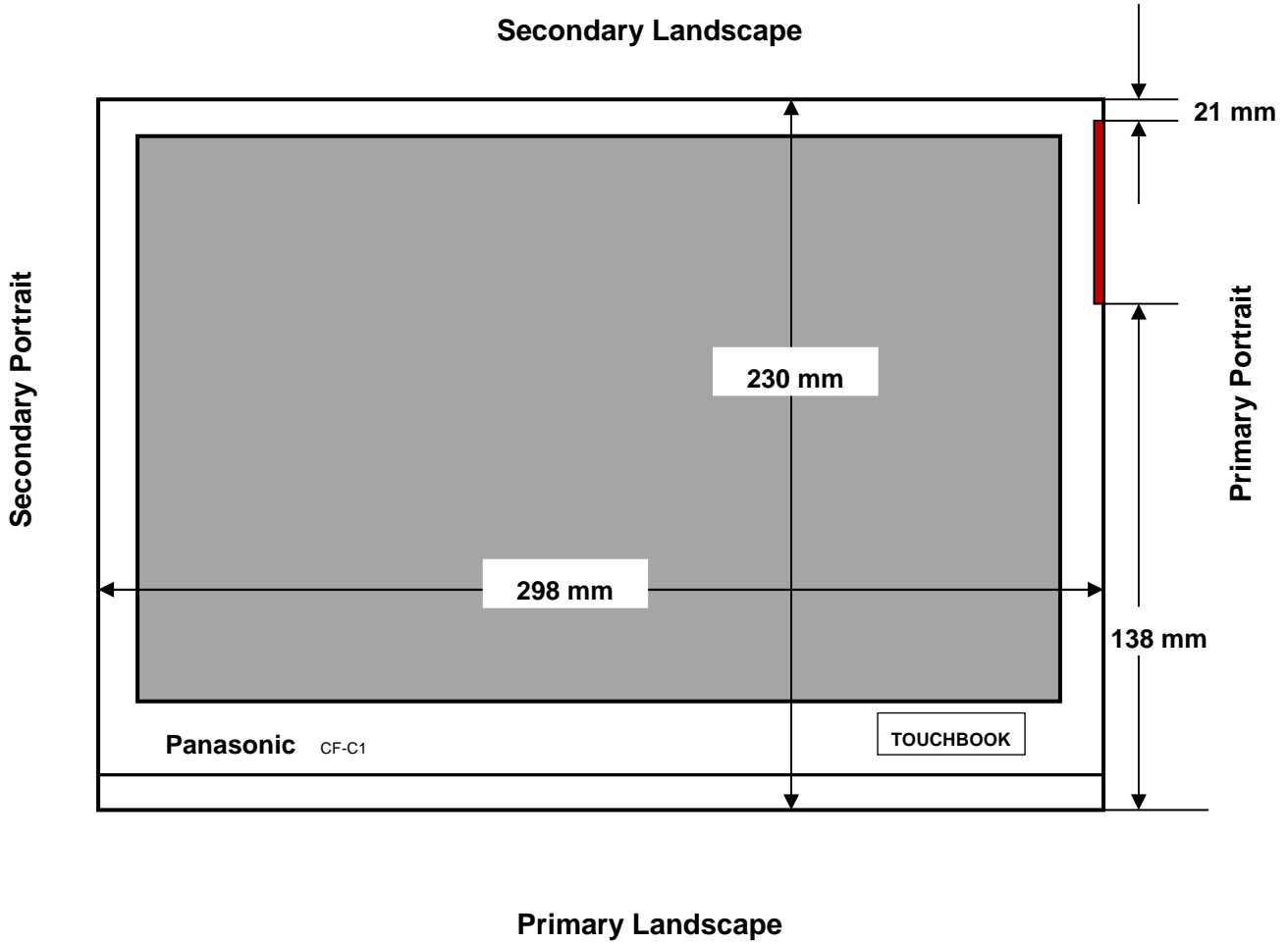
13. ANTENNA LOCATIONS AND SEPARATION DISTANCES

Laptop Mode
(with display open at 90° to the keyboard)



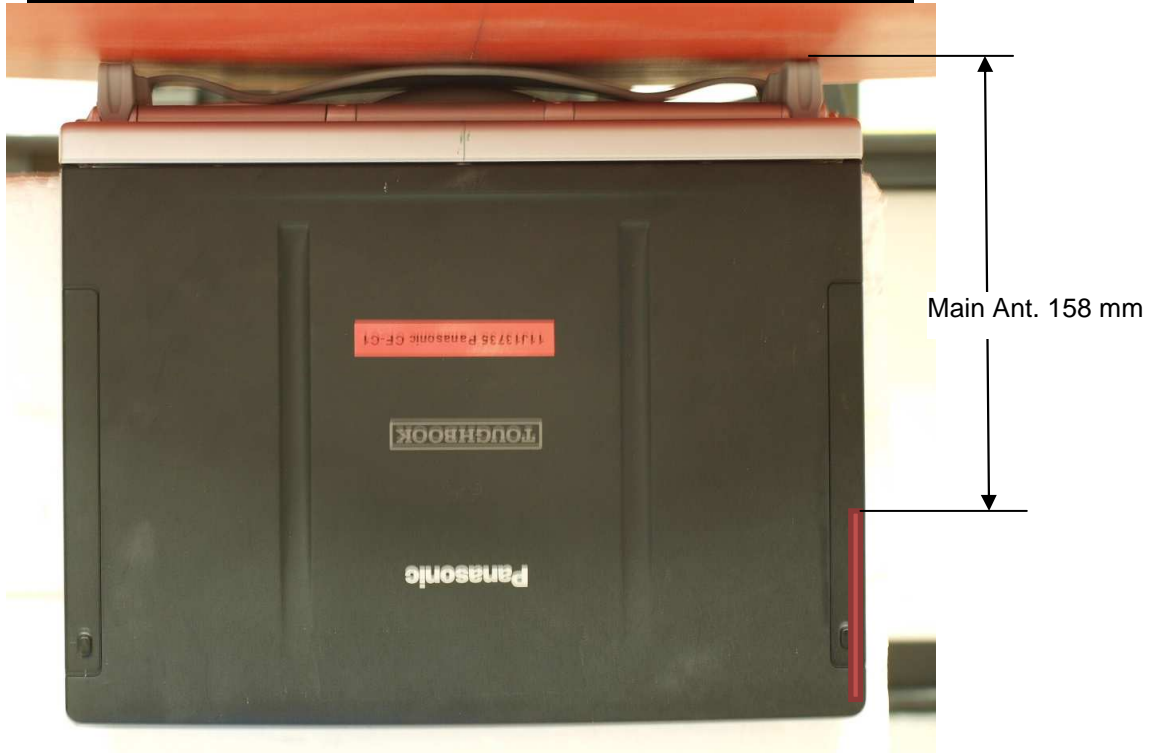
Bottom Face





14. TEST SETUP PHOTOS

Laptop Mode – Lapheld (w/ display open at 90° to the keyboard)



Tablet Mode – Bottom Face



Edge – Secondary Landscape



END OF REPORT