

FCC Part 24(E) Test Report
for
Sierra Wireless, Inc.
on the
CDMA Transceiver
Model: AIRCARD 510
FCC ID: N7NACRD510

Test Report: J20007760A

Date of Report: March 20, 2000



NVLAP Laboratory Code 200201-0
Accredited for testing to FCC Parts 15

Tested by:	<i>Xi-Ming Yang</i>	Xi-Ming Yang
Reviewer:	<i>David Chernomordik</i>	David Chernomordik

All services undertaken are subject to the following general policy: Reports are submitted for exclusive use of the client to whom they are addressed. Their significance is subject to the adequacy and representative character of the samples and to the comprehensiveness of the tests, examinations or surveys made. This report shall not be reproduced except in full, without written consent of Intertek Testing Services, NA Inc. This report must not be used to claim product endorsement by NVLAP, NIST nor any other agency of the U.S. Government.

Table of Contents

1 JOB DESCRIPTION..... 1

1.1 Client Information 1

1.2 Equipment under test (EUT) 1

1.3 Test plan reference..... 2

1.4 System test configuration..... 2

1.4.1 System block diagram & Support equipment..... 2

1.4.2 Justification 3

1.4.3 Mode(s) of operation..... 3

1.5 Modifications required for compliance 3

2 TEST SUMMARY..... 4

3 EFFECTIVE RADIATED POWER 5

3.1 Test Description..... 5

3.2 Test Procedure 5

3.3 Test Results 6

3.4 Modifications made during testing 6

3.5 Test Instrumentation 6

4 MODULATION CHARACTERISTICS..... 7

4.1 Test Description..... 7

5 OCCUPIED BANDWIDTH..... 8

5.1 Test description 8

5.2 Test Procedure..... 8

5.3 Test Results 8

5.4 Modifications made during testing 8

5.5 Test instrumentation 8

6 SPURIOUS EMISSION AT ANTENNA TERMINALS 9

6.1 Test description 9

6.2 Test Procedure..... 9

6.3 Test Results 9

6.4 Modifications made during testing 9

6.5 Test instrumentation 9

7 RADIATED SPURIOUS EMISSIONS..... 10

7.1 Test description 10

7.2 Test Procedure..... 10

7.3 Test Results 10

7.4 Modifications made during testing 10

7.5 Test instrumentation 10

8 FREQUENCY STABILITY..... 11

8.1 Test description 11

8.2 Test Procedure..... 11

8.2.1 Frequency Stability vs. Temperature 11

8.2.2 Frequency Stability vs. Voltage..... 11

8.3 Test Results 12

8.4 Modifications made during testing 12

8.5 Test instrumentation 12

9 AC LINE CONDUCTED EMISSIONS 13

9.1 Test description 13

9.2 Test Procedure 13

9.3 Test Results 13

9.4 Modifications made during testing 13

9.5 Test instrumentation 13

1 JOB DESCRIPTION

1.1 Client Information

The EUT has been tested at the request of

Company: Sierra Wireless, Inc.
 # 150-13575 Commerce Parkway
 Richmond, B.C.
 Canada V6V 2L1

Name of contact: Mr. Dominique Kwong
Telephone: (604) 231 1181
Fax: (604) 231 1109

1.2 Equipment under test (EUT)

Equipment type: CDMA Transceiver
Equipment class: Licensed Portable Transmitter (Held to ear)
Model number(s): AIRCARD 510
FCC ID: N7NACRD510
Manufacturer: SAME as above.
Use of Product : Data communications
Production is planned: Yes, No

Technical Specifications:

Type of Emission	
Modulation	CDMA
Range of RF Output	0.3 W (Peak EIRP)
Means for variation of operating power	Continuously variable
The dc voltage applied to and current into the several elements of the final RF amplifying device	<i>Collector Voltage:</i> Vdc <i>Collector Current:</i> mA
Frequency Range	1851 to 1909 MHz
Max. number of Channels	
Antenna	1/2λ whip
Detachable antenna ?	No
External input	Audio
Frequency Tolerance	ppm

EUT receive date: 2/11/00
 EUT received condition: Good condition prototype
 Test start date: 2/11/00
 Test end date: 3/11/00

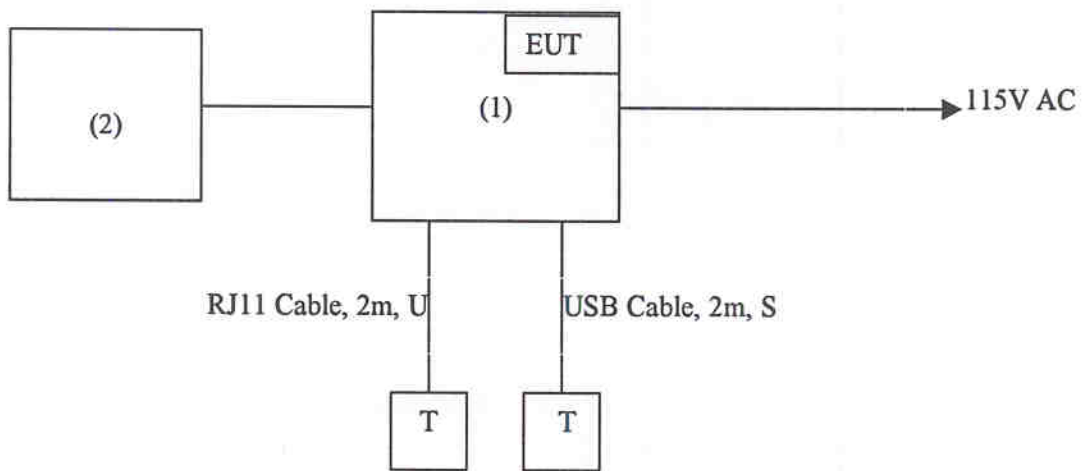
1.3 Test plan reference

FCC Part 2.1033, FCC Part 24 (E)

1.4 System test configuration

1.4.1 System block diagram & Support equipment

The diagram shown below details the placement of the equipment under test on the turntable.



S: Shielded	U: Unshield	F: With Ferrite Core
-------------	-------------	----------------------

Support Equipment					
Equip. #	Equipment	Manufacturer	Model #	S/N #	FCC ID
1	Computer	HP	F1260A	F1200-80055	DOC
2	Monitor	Dell Computer	D1428-HS	02922CV22495	GWGPM04EIX