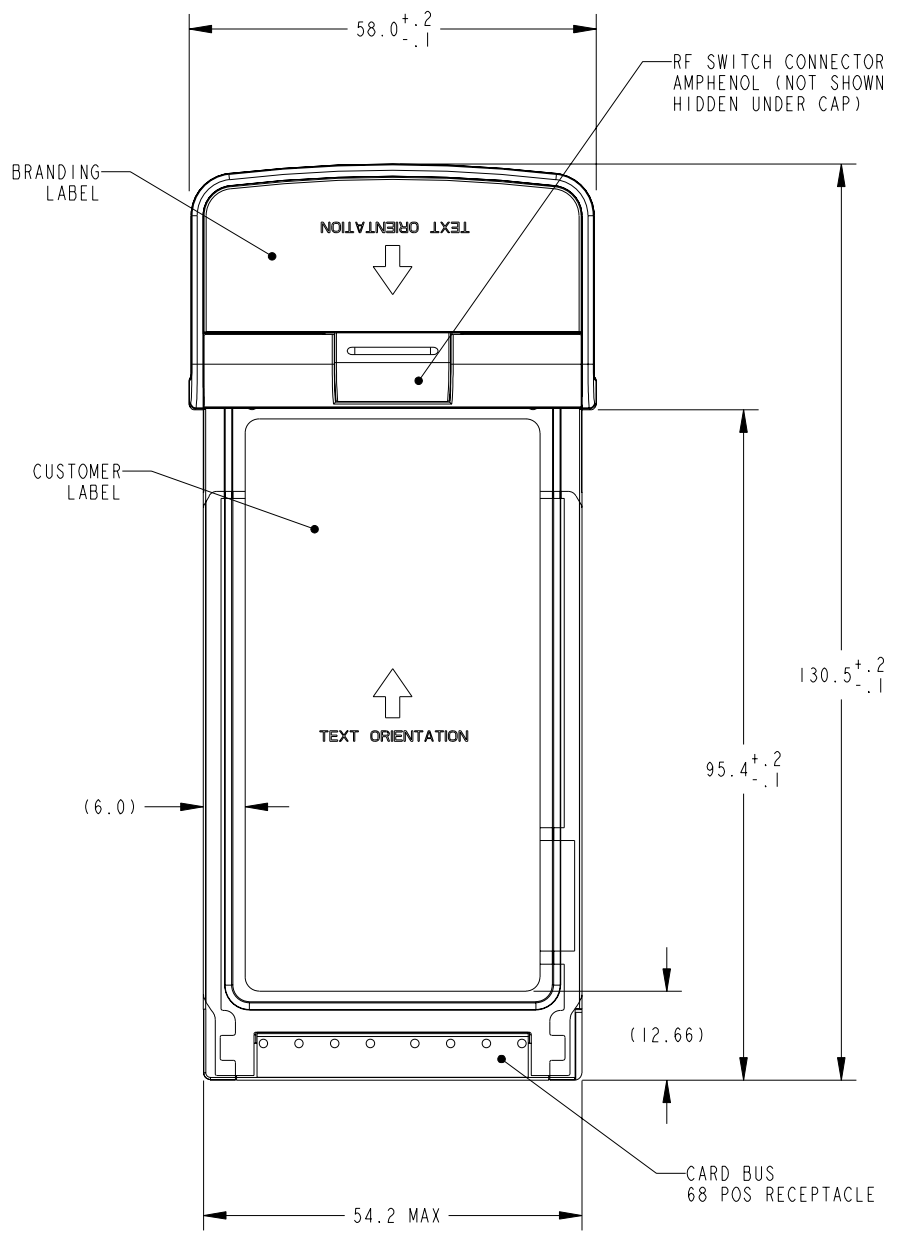


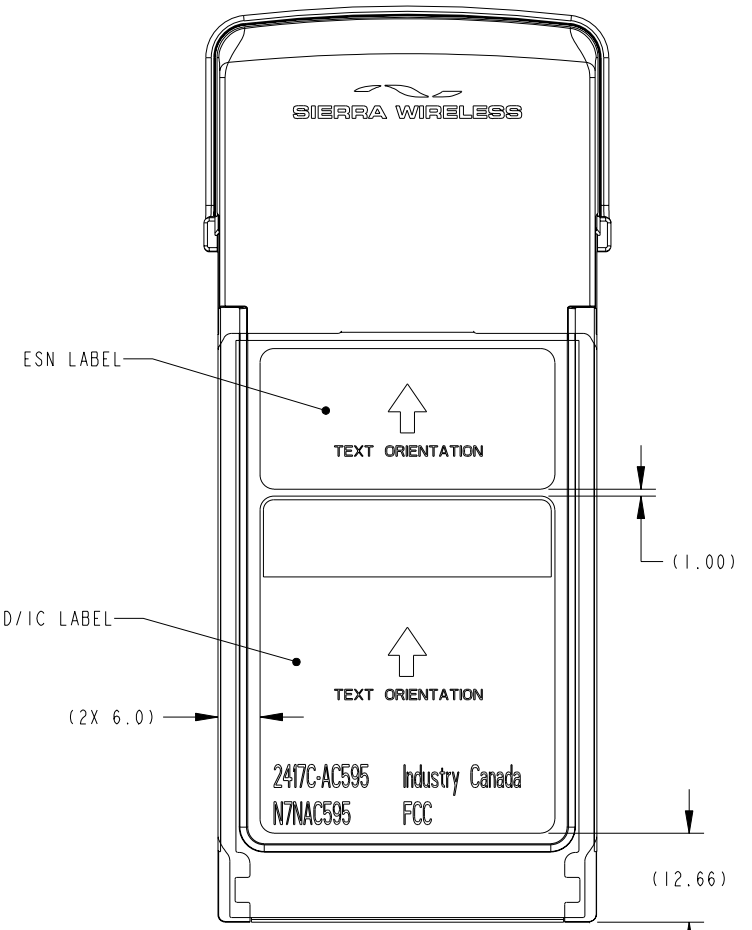
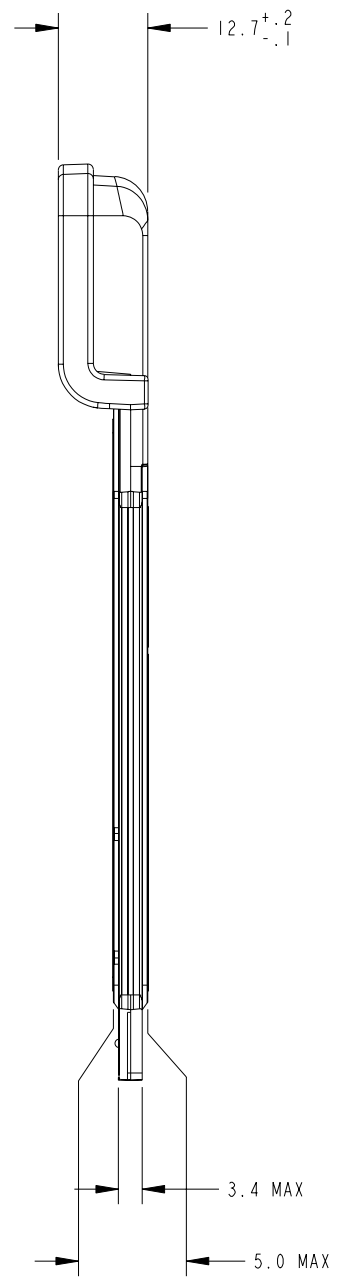
REV	DESCRIPTION	ECO	DATE	DRAWN	APPD
1.0	PRODUCTION RELEASE		04/25/06	JB	BG

I NOTES APPLICABLE TO PART MANUFACTURER

1. DESCRIPTION AND APPLICATION: WIRELESS MODEM CARD
2. MECHANICAL SPECIFICATIONS:
 - 2.1 APPROXIMATE WEIGHT: 54 GRAMS



TOP SIDE



BOTTOM SIDE

AC595

UNLESS OTHERWISE NOTED, THIS DOCUMENT CONTAINS SIERRA WIRELESS CONFIDENTIAL INFORMATION. REPRODUCTION, USE, DISCLOSURE OR TRANSMITTAL OF ALL OR ANY PORTION OF THIS DOCUMENT IS PROHIBITED, EXCEPT TO THE EXTENT APPROVED BY SIERRA WIRELESS. SIERRA WIRELESS EXPRESSLY RESERVES ALL RIGHTS UNDER PATENTS, TRADEMARKS, COPYRIGHTS AND TRADE SECRETS. COPYRIGHT (C) 2006, SIERRA WIRELESS.

UNLESS OTHERWISE SPECIFIED, DIMENSIONS ARE PER THE FOLLOWING TOLERANCES:		PROJECT NAME AC595		PART DESCRIPTION AIRCARD, GENERIC ENVELOPE DRAWING, AC595	
INCHES .X ± .05 .XX ± .01 .XXX ± .005	MM .X ± .25 .XX ± .13 .XXX ± .05	ANGLES X ± 5° X.X ± P	DATE 04-25-06	DATE 04-25-06	DATE 04-25-06
MATERIAL N/A			DESIGN J. BECKWITH	DATE 04-25-06	DATE 04-25-06
FINISH N/A			CHK B. GILBERT	DATE 04-25-06	DATE 04-25-06
DO NOT SCALE PRINT			REV 1201111	DATE 04-25-06	DATE 04-25-06
			REV CUSTOMER_DRAWING	DATE 04-25-06	DATE 04-25-06
			SCALE ***	DATE 04-25-06	DATE 04-25-06
SIZE C		UNITS ***	DRAWING NO. CUSTOMER DRAWING	REV 1.0	SCALE 1/1
SHEET 1 OF 2		13811 Wireless Way Richmond, British Columbia Canada, V6V 3A4 Tel: 604.231.1100 Fax: 604.231.1109		SIERRA WIRELESS HEART OF THE WIRELESS MACHINES	



Licensed by QUALCOMM Incorporated
under one or more of the following United
States Patents and/or their counterparts in
other nations: 4,901,307; 5,490,165;
5,056,109; 5,584,773; 5,101,301; 5,556,865;
5,109,390; 5,511,073; 5,228,054; 5,535,239;
5,267,261; 5,544,196; 5,267,262; 5,568,485;
5,337,338; 5,600,754; 5,418,795; 5,674,220;
5,416,797; 5,659,569; 5,710,784; 5,778,338

QUALCOMM
3G CDMA

FCC ID: N7NAC595
IC: 2417C-AC595

Designed in USA
Manufactured in China
Part #: 120111
Patents Pending

