

# User's Manual

## Waterproof Bluetooth Speaker User's Manual



B18 Speaker

### Introduction:

you can use this item with tablet, notebook and many types of smartphone to stream music, and enjoy handsfree calling. In order to get the best results when using the device, please read this manual first before using.

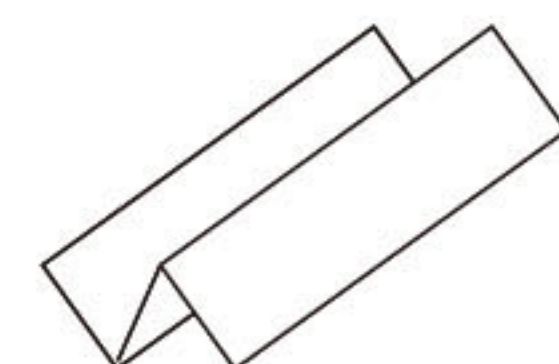
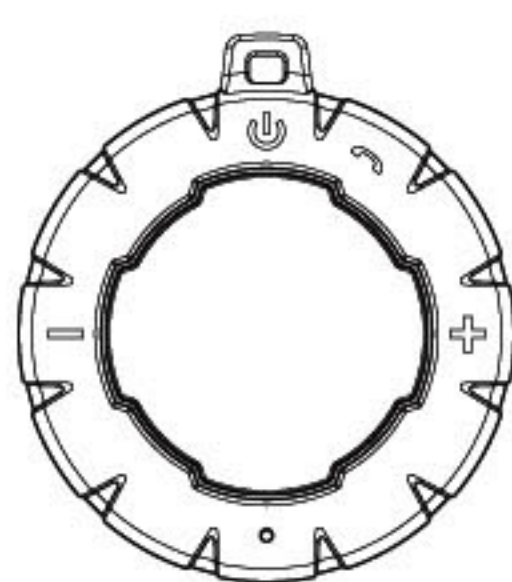
### Features

- Volume and song control directly on speaker unit
- Stunning sound clarity
- Ultra portable design
- Great for parties, indoor and outdoor
- Allow you to make and answer phone calls

### Specifications

Loudspeaker: 4Ω 5W  
 Built-in Power: Li-ion 600mAh  
 Dimensions: 3.6 in(W)\*3.6 in(L)\*1.6 in(H)  
 SNR: 80± 3dB  
 Wireless Working Frequency: 2.402-2.480 Ghz  
 Wireless Transmission Distance: up to 32 ft  
 Charging Time: 1-2 hours  
 Weight: 5.8 oz  
 Speaker Dimension: 1.7 in  
 Charging: 5 V, 500mA

### Package Contents



1. Bluetooth Speaker
2. USB Charging cable
3. User manual

### Important Safety Precautions

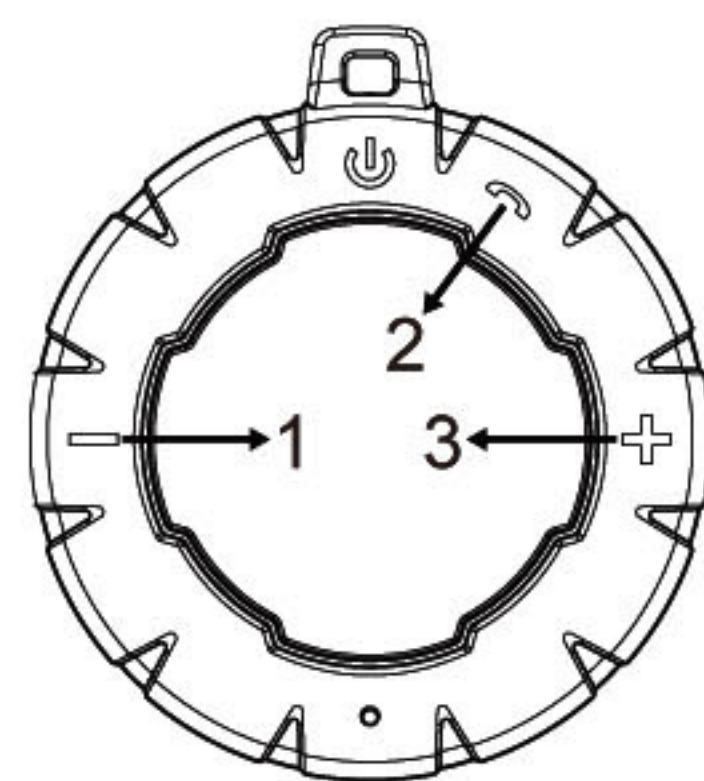
When using your Bluetooth Mobile Speaker, basic safety precautions should always be followed, including the following:

1. Keep this product and its charging cable away from excessive heat.
2. Do not operate this device with a damaged cable or after it has malfunctioned or has been damaged in any manner.
3. Do not disassemble your device.
4. Only use your device on a flat, stable surface.

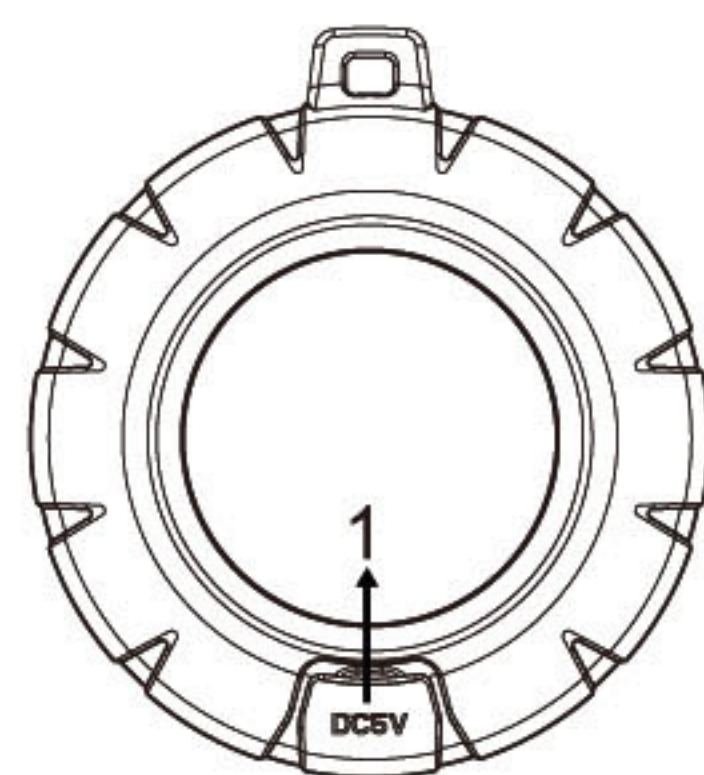
### Charging Your Speaker

1. Connect one end of the included USB Charging Cable to the Charging Port on your speaker. Then plug the other end of the USB Charging Cable into a suitable USB port on your computer to recharge your speaker's internal rechargeable battery.  
 NOTE: The internal battery of your speaker takes approximately two hours to charge when completely drained.
2. When charging, a red LED light will illuminate to indicate that the unit is charging. The red light will turn off when your unit is fully charged.

### A Quick Look at Your Device

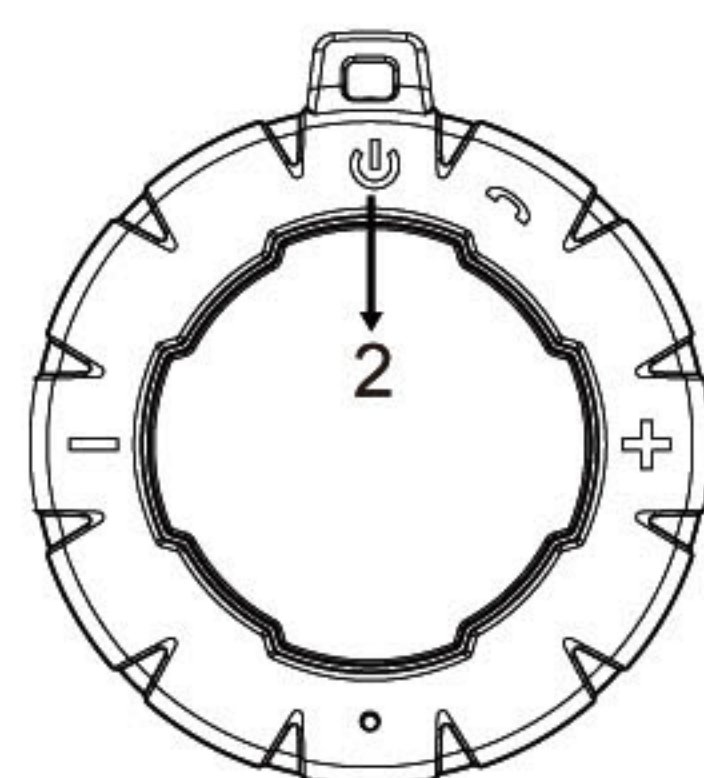


- 1. Previous:** Press and hold to access the last track in playlist. Press to lower the volume.
- 2. Phone:** Press this button to activate the the speaker phone function. When music is playing, press to play or pause a track.
- 3. Next:** Press and hold to access the next track in a playlist. Press to increase the volume.



### 1. Charging Port

You can plug one end of the included USB Charging Cable into this jack, while plugging the other end into a USB port on your computer in order to charge your speaker's built in lithium battery.



### 2. ON/OFF Switch

Press and hold the "⏻" for power on  
 Press and hold the "⏻" again for power off

### Understanding the LED Status Lights

#### When Charging Your Speaker

Solid red LED = Charging  
 No red LED = Charge Complete

#### When Pairing Your Speaker to a Bluetooth Audio Source

Rapid blinking blue LED: Bluetooth not connected. (Ready to pair.)  
 Solid blue LED: Bluetooth connected.

\*RF warning for Mobile device:

This equipment complies with FCC radiation exposure limits set forth for an uncontrolled environment. This equipment should be installed and operated with minimum distance 20cm between the radiator & your body.

### Pairing Bluetooth Devices to Your Speaker

In order to pair your Bluetooth audio device to your Bluetooth Speaker for the first time, follow the steps below:

- 1). Make sure your Bluetooth audio source is held within three meters of your speaker.
- 2). Press and hold the "⏻" switch on your speaker to power on. The LED light will blink blue to indicate that you have entered pairing status.
- 3). Go to the Bluetooth Manager of your Bluetooth audio source. Please refer to the User's Manual of your Bluetooth audio source for more information.
- 4). Search Bluetooth devices and select "B18".
- 5). Once paired, the blue LED light will be solid and you can use your speaker to listen to audio from you Bluetooth sound source.

### Using the Hands-Free Function

When an iPhone or other smartphone is connected to your speaker follow the steps below to take calls hands-free.

1. Press "☎" to pick up the call.
2. Press and hold "☎" for 2 sec to reject the call.
3. During a call: Press "☎" again to hang up the call.

### Troubleshooting

Problem	Solution
The speaker doesn't connect to device	Speaker needs to be connected/re-paired to device
A tone is heard every few seconds	Speaker needs to be charged
Bluetooth connection distance cannot reach to 32ft.	Avoid operating the Bluetooth speaker in areas of strong electromagnetic interference, such as near induction cookers, large power fans, motors etc. Move the speaker closer to Bluetooth device. Fully charge the speaker and try again.
The speaker will not power on	Speaker needs to be charged
The speaker doesn't control	Speaker needs to be in Bluetooth mode for full control
The speaker distorts at high volume	The devices' volume needs to be lowered

FCC Caution.



§ 15.19 Labelling requirements.  
 This device complies with part 15 of the FCC Rules. Operation is subject to the following two conditions: (1) This device may not cause harmful interference, and (2) this device must accept any interference received, including interference that may cause undesired operation.

§ 15.21 Information to user.  
 Any Changes or modifications not expressly approved by the party responsible for compliance could void the user's authority to operate the equipment.

§ 15.105 Information to the user.  
 Note: This equipment has been tested and found to comply with the limits for a Class B digital device, pursuant to part 15 of the FCC Rules. These limits are designed to provide reasonable protection against harmful interference in a residential installation. This equipment generates uses and can radiate radio frequency energy and, if not installed and used in accordance with the instructions, may cause harmful interference to radio communications. However, there is no guarantee that interference will not occur in a particular installation. If this equipment does cause harmful interference to radio or television reception, which can be determined by turning the equipment off and on, the user is encouraged to try to correct the interference by one or more of the following measures:  
 -Reorient or relocate the receiving antenna.  
 -Increase the separation between the equipment and receiver.  
 -Connect the equipment into an outlet on a circuit different from that to which the receiver is connected.  
 -Consult the dealer or an experienced radio/TV technician for help.