

6

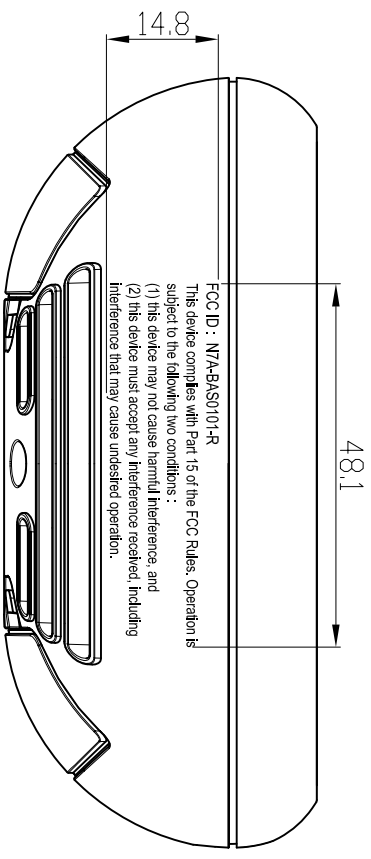
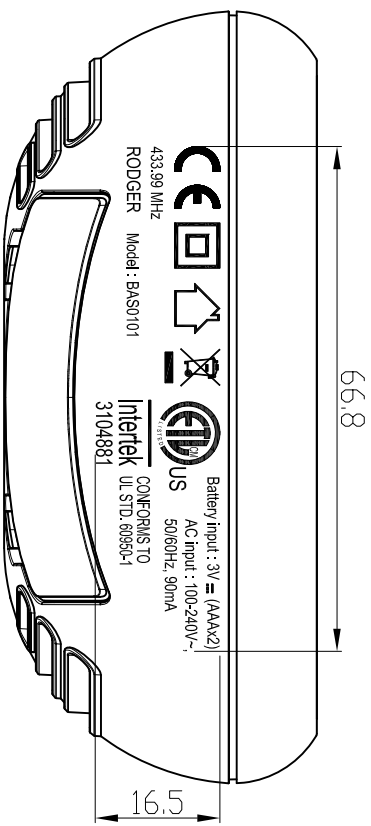
5

4

3

2

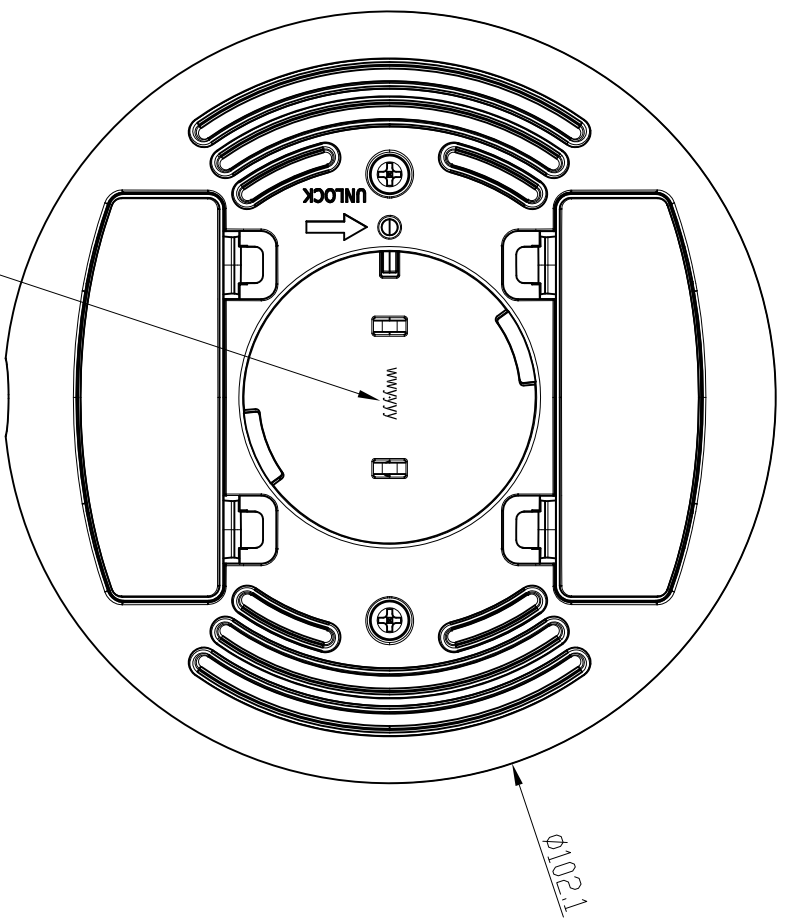
1



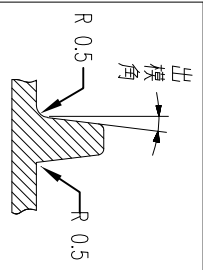
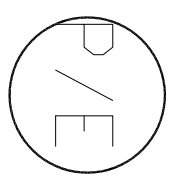
FCC ID : N7A-BAS0101-R
 This device complies with Part 15 of the FCC Rules. Operation is subject to the following two conditions :
 (1) this device may not cause harmful interference, and
 (2) this device must accept any interference received, including interference that may cause undesired operation.
 SCALE 2:1

Battery input : 3V = (AAAx2)
 AC input : 100-240V~,
 50/60Hz, 90mA
 433.99 MHz
 RODGER Model : BAS0101
 Intertek CONFORMS TO
 UL STD. 60950-1
 3104881
 SCALE 2:1

备注:
 1. 功率字唛和FCC信息做移印, 颜色:冷灰(Cool Grey 11)。
 2. 移印油墨含铅量小于90PPM。



ww represent week
 yyyy represent year
 This date code will be stamped.



(1)	出模角: 塑膠: 每边 1° 覆木: 每边 3° 铸胎: 每边 5°
(2)	除去所有披鋒, 尖角做圓 R
(3)	沒有注明的圓角為 R 0.5 0.5(0.0)
(4)	小數位: XX ± 0.0(0) XXX ± 0.05 角度: ± 0.5°
(5)	重要尺寸以△表示, 此圖共 個
(6)	請勿直接量度圖紙尺寸.

0		INITIAL RELEASE		VPZHNG Nov3011	
REV		DESCRIPTION OF CHANGE		ENGR DATE	
PLASTICS SHRINKAGE REFERENCE (IF ANY): 缩水數		UNLESS OTHERWISE SPECIFIED DRAFT DIM.TOL. : X: ±1 XX ± 0.1 XXX ± 0.05		P: 1" A: 5" RADIUS : 0.5 ANGLE TOL. : ± 0.5°	
AUTHENTICATION		NAME		DATE	
DRAWN BY		SCALE: 1:1		MATERIAL: N/A	
CHECKED BY		QUANTITY: 1		FINISH: N/A	
APPROVED BY		PROJECTION: 1		CDDE ND: N/A	
THIS DOCUMENT MAY NOT BE REPRODUCED OR UTILIZED IN ANY WAY WITHUOT THE PRIOR WRITTEN PERMISSION OF KEENLEAGUE MANUFACTURING LTD.		DID NOT SCALE DRAWING		DIMENSIONS INMM	
KEENLEAGUE MANUFACTURING LTD.		MODEL NO: PA100		TITLE: RATING 字唛图1	
		DVG ND: PA100-L01		REV: 0	
		SHEET 1 OF 1			

6

5

4

3

2

1