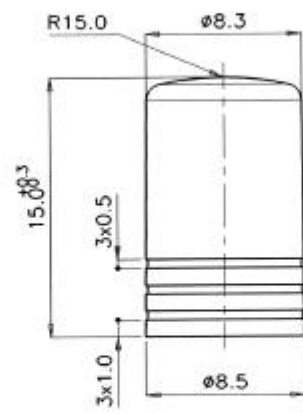
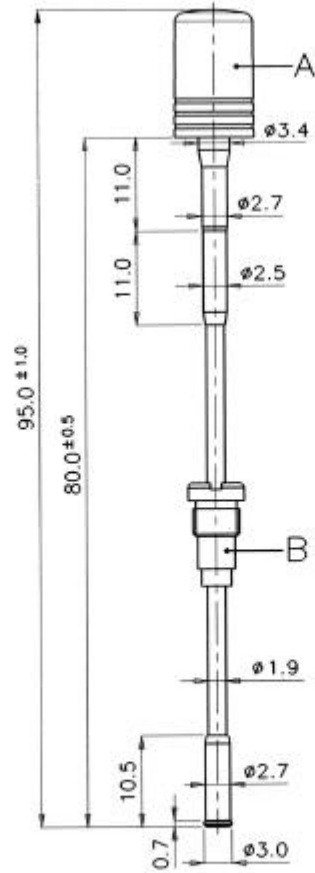
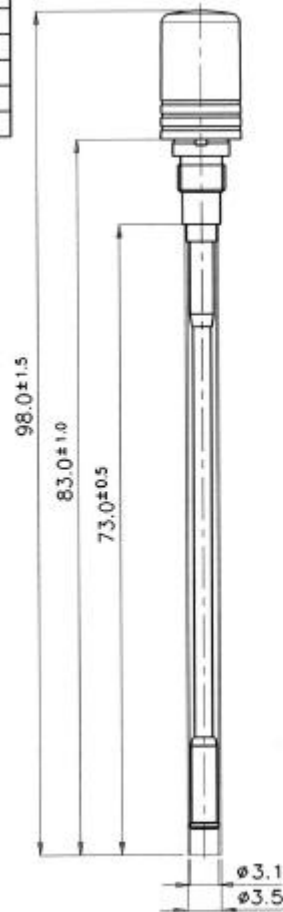
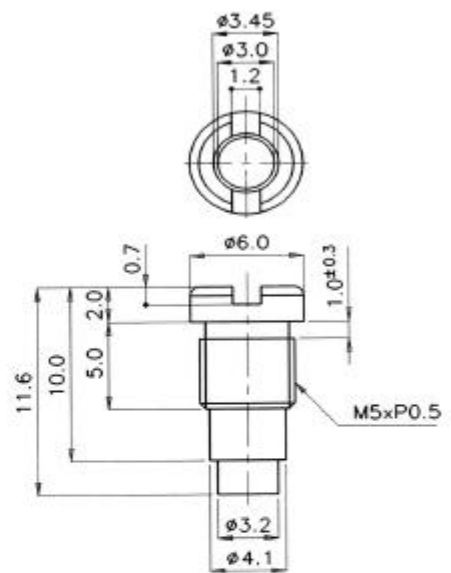


DIVISION	LIMITS
1m/m-20m/m	± 0.1
21m/m-40m/m	± 0.2
41m/m-80m/m	± 0.3
81m/m-150m/m	± 0.4
150m/m-300m/m	± 0.5
300m/m -	± 0.6



DETAIL A



DETAIL B

No	DESCRIPTION	Q'TY	MATERIAL	REMARKS		
SCALE	DRAWN	DESIGN	CHECK	APPRO	TITLE	ASS'Y
2/1	<i>[Signature]</i>	<i>[Signature]</i>	<i>[Signature]</i>	<i>[Signature]</i>	MODEL	HR-809
DATE	1997. 6. 27.				APPLI	APPRO.
A3	DIMENSION mm	REVISION	IR	DRW. NO	AHR809-00-0000	

AQF-04-02-01-B

ACE ANTENNA Corp.