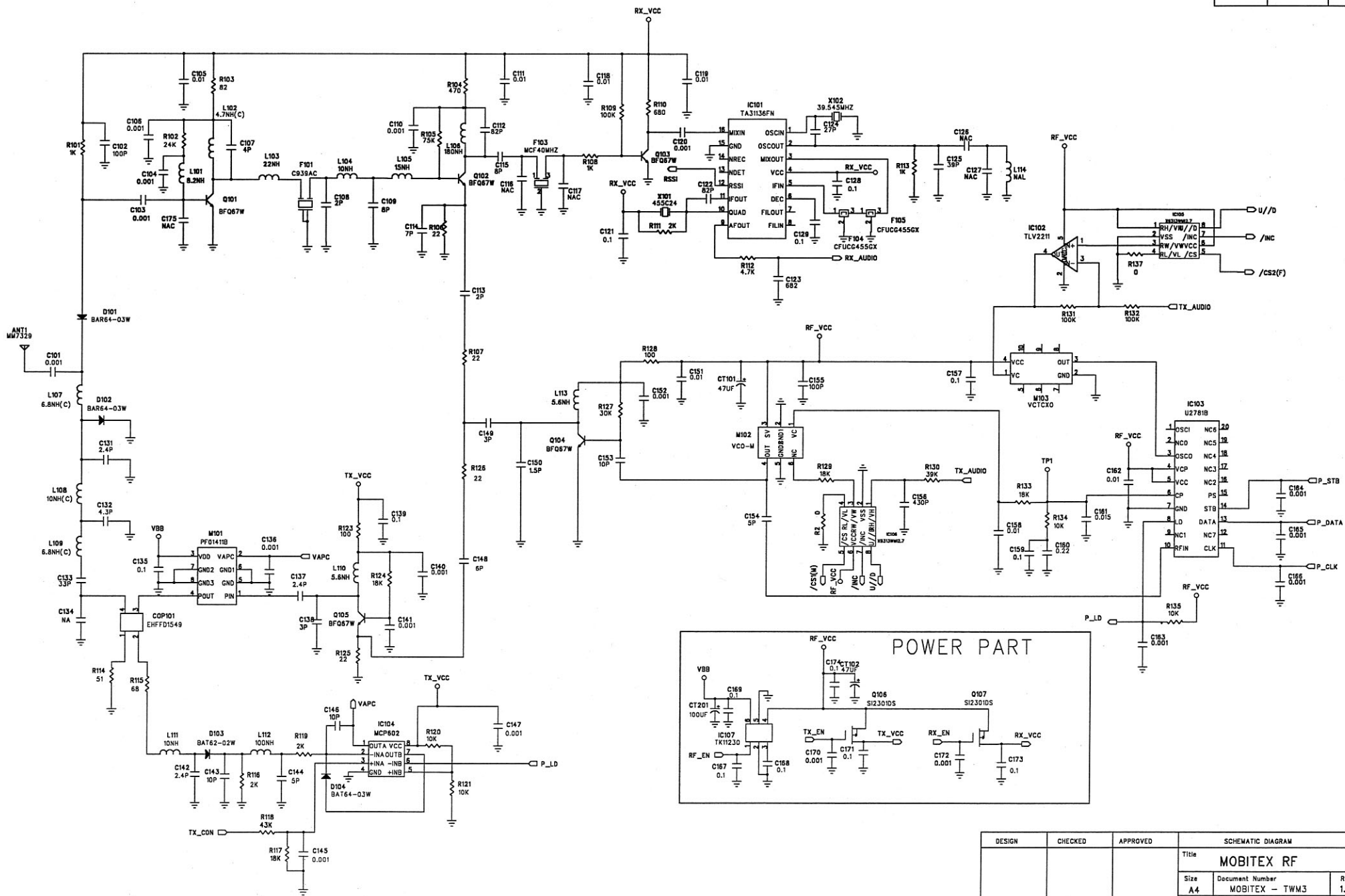


# CNI-930M RF SCH.

REV.	ECO-NO	DATE



DESIGN	CHECKED	APPROVED	SCHEMATIC DIAGRAM	
			Title	
			MOBITEX RF	
			Size	Document Number
			A4	MOBITEX - TWM3
			REV	1.0
			Date	2000.4.12
			Sheet	1 OF 1