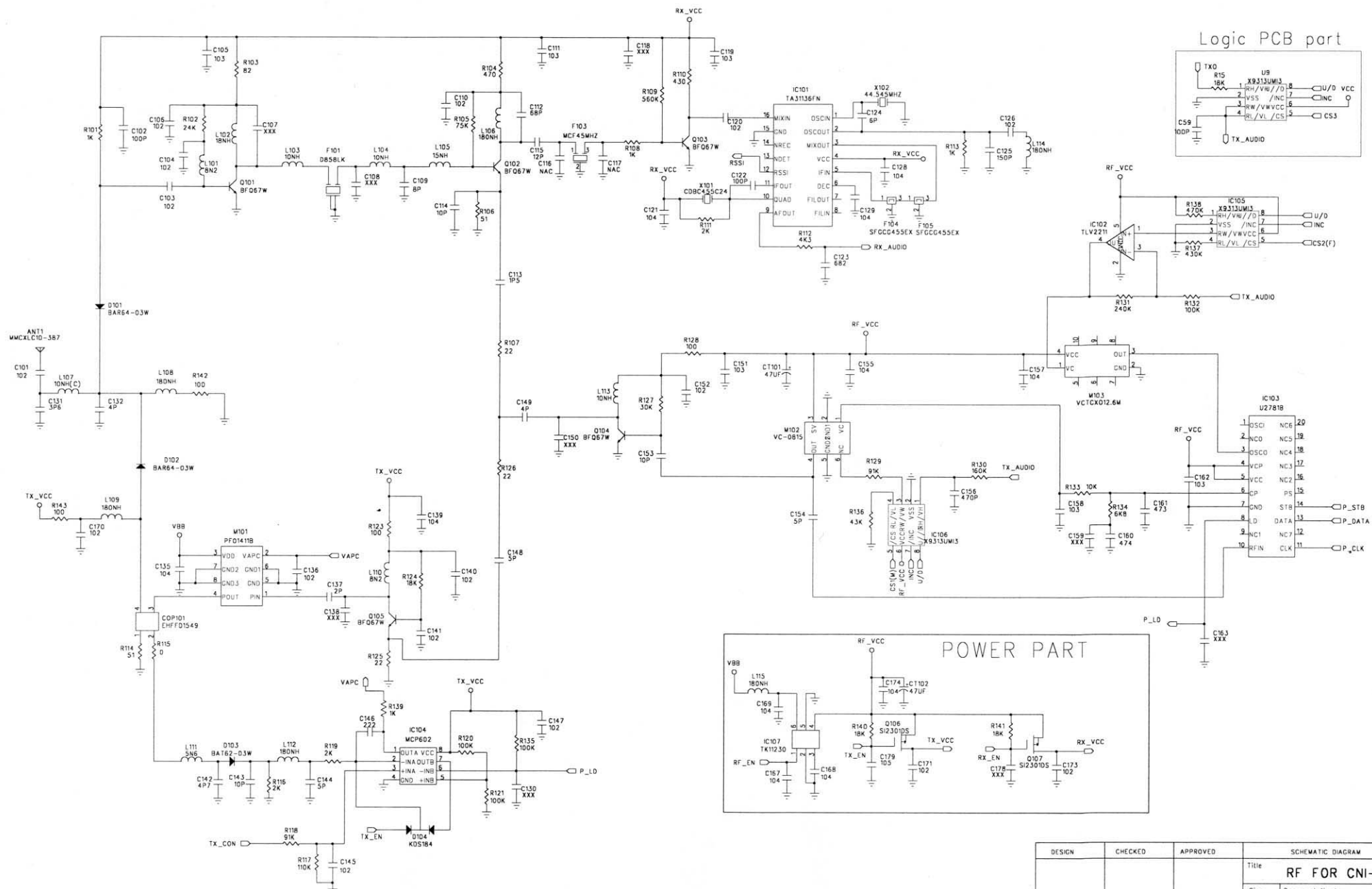


# CNI-803D RF SCH.

REV.	ECD-NO	DATE



DESIGN	CHECKED	APPROVED	SCHEMATIC DIAGRAM	
			Title <b>RF FOR CNI-803D</b>	
			Size A4	Document Number RPM3
			Date 2000.11.13	REV 1.0
				Sheet 1 OF 1