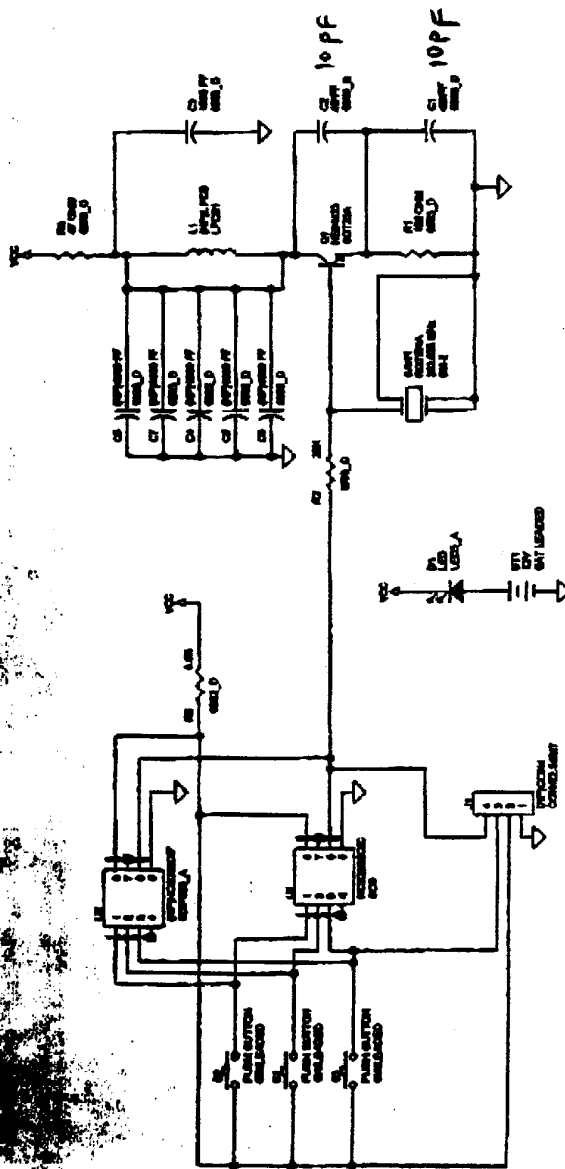


**EXHIBIT 5**  
**SCHEMATIC DIAGRAM**

303

-60dB/10dB



DESIGN LE:MS 03-25-98 00:00 MX PST  
LAST EDIT LE:CR 07-01-98 11:35 AM PST

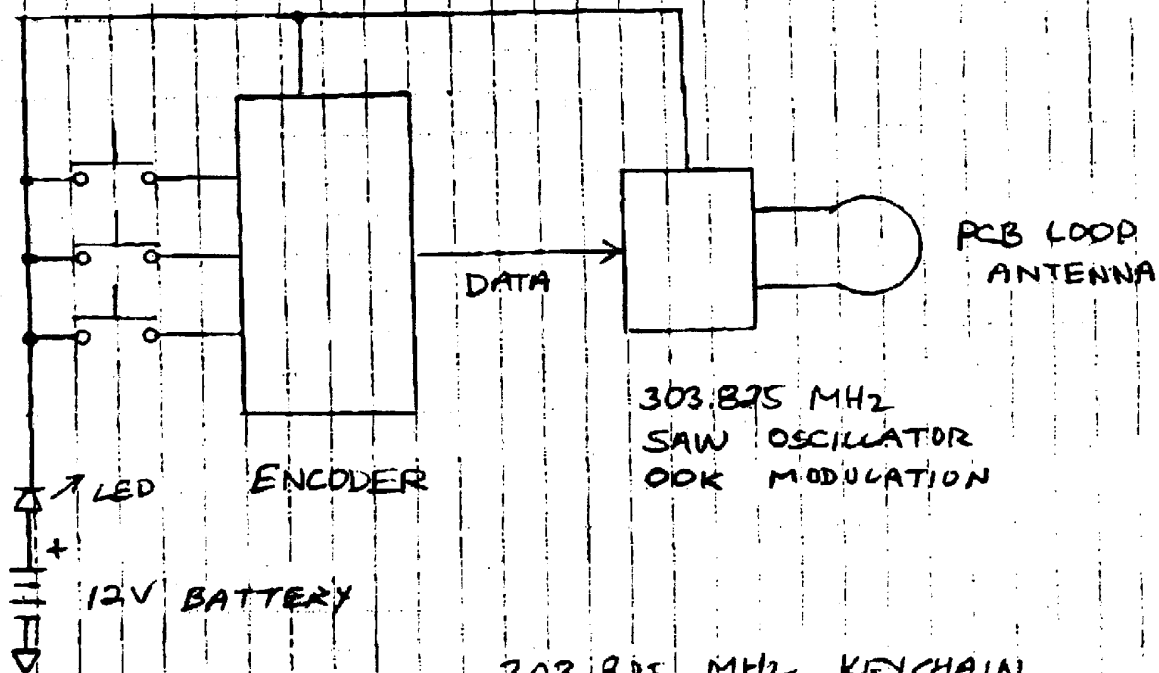
1	REV	01/01/98	0100413423
2	REV	01/01/98	0100413423
3	REV	01/01/98	0100413423
4	REV	01/01/98	0100413423
5	REV	01/01/98	0100413423
6	REV	01/01/98	0100413423
7	REV	01/01/98	0100413423
8	REV	01/01/98	0100413423
9	REV	01/01/98	0100413423
10	REV	01/01/98	0100413423

FROM :

PHONE NO. : 800 430 4000

Aug. 18 1998 01:52PM P01

M. SIMON  
8-18-98



303.825 MHz KEYCHAIN  
TRANSMITTER BLOCK DIAGRAM