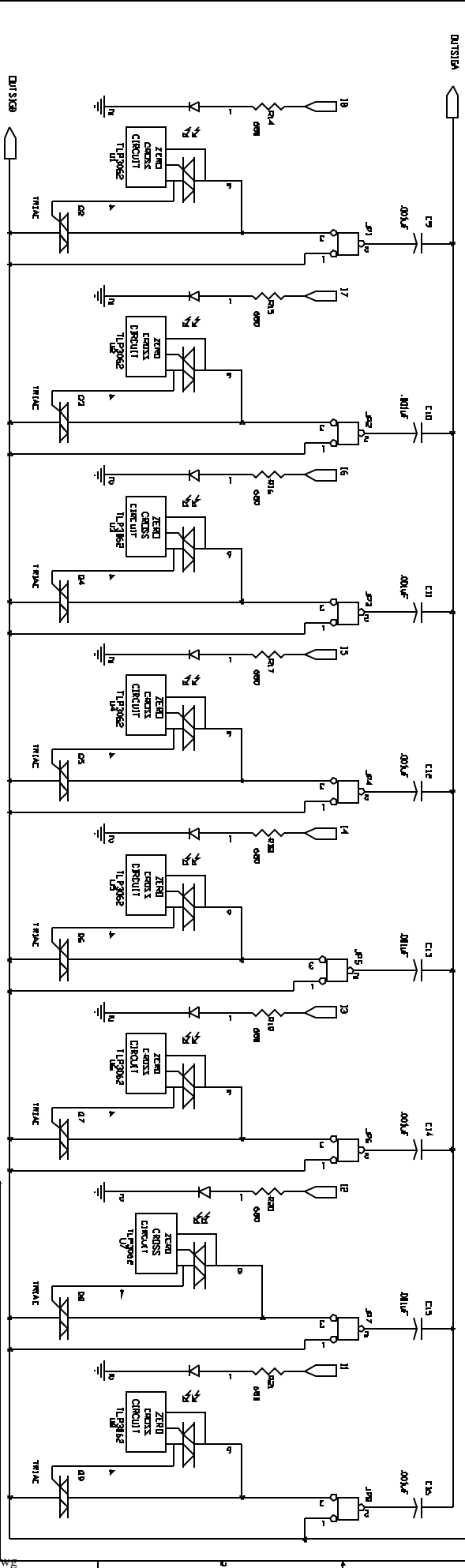
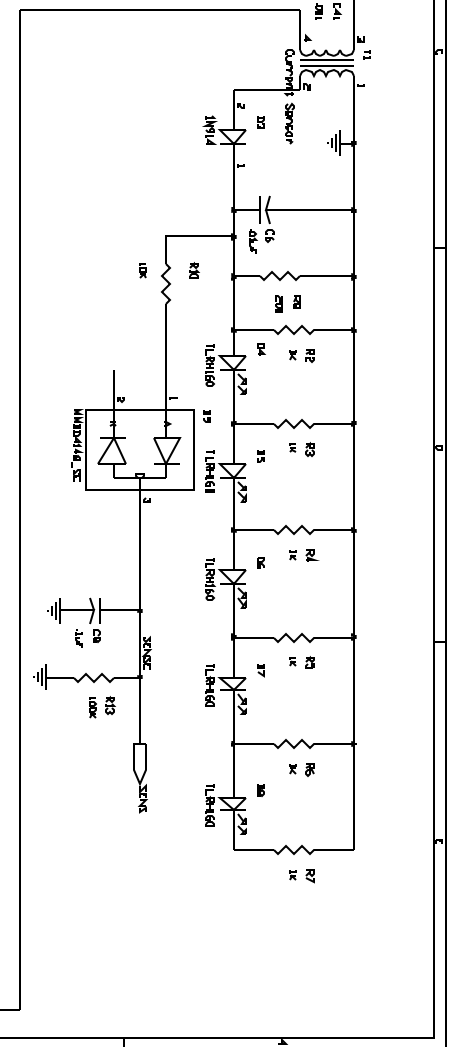
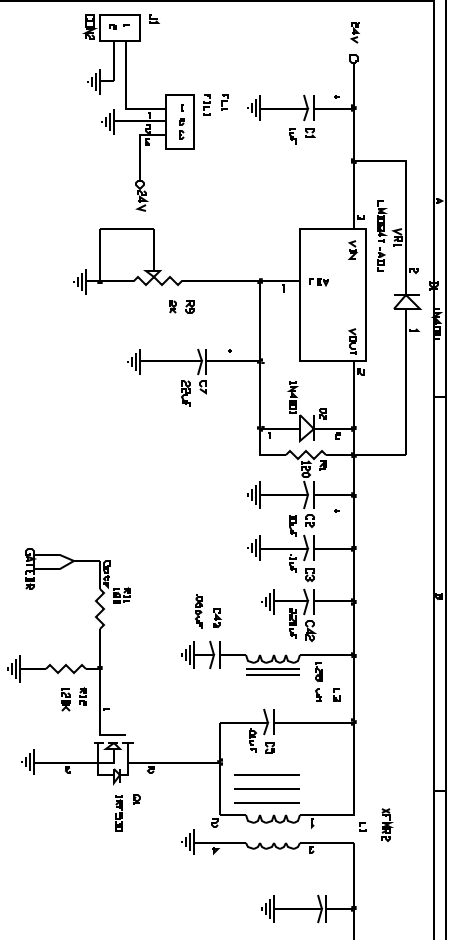


NOTE: CIR. IS MACHIN. DES. CHECK DE ASSSEMB. BEFORE PINS 6 AND 1 OF U1.

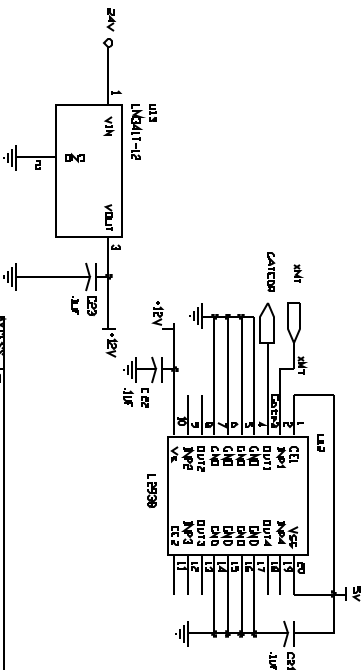
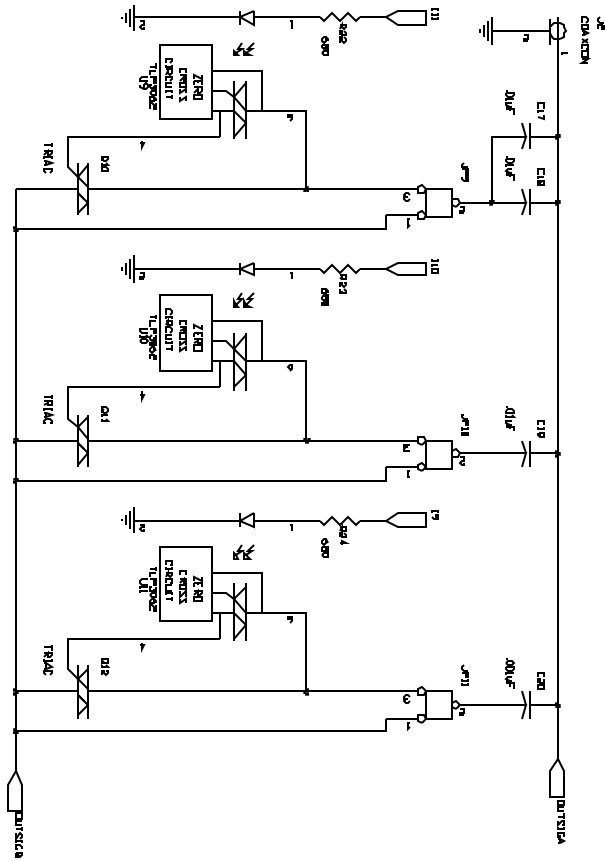
Author	TECHNOLOGY CENTER LTD. 2004
Sheet	1 of 2
Project	ACTIVATOR1
Revision	1
Drawn	Dr. Descriptions for TORRES
Checked	Dr. Descriptions for TORRES
Approved	Dr. Descriptions for TORRES
Date	03/13/01



132 KHz Output  
TD LOOP Antenna

PROCESS, INC.  
3000 Corporate Drive  
Corvallis, OR 97330

REV	DESCRIPTION	DATE
1	Initial Release	1978-07-20
2	Revised	1978-07-20
3	Revised	1978-07-20



KITSSES, Inc.  
 3000 Lemperton, 3rd Floor  
 Carrollton, TX 75006

TITLE Activator
SIZE 8
DOCUMENT NUMBER 41002
DATE 1/20/01
SHEET 3
OF 3