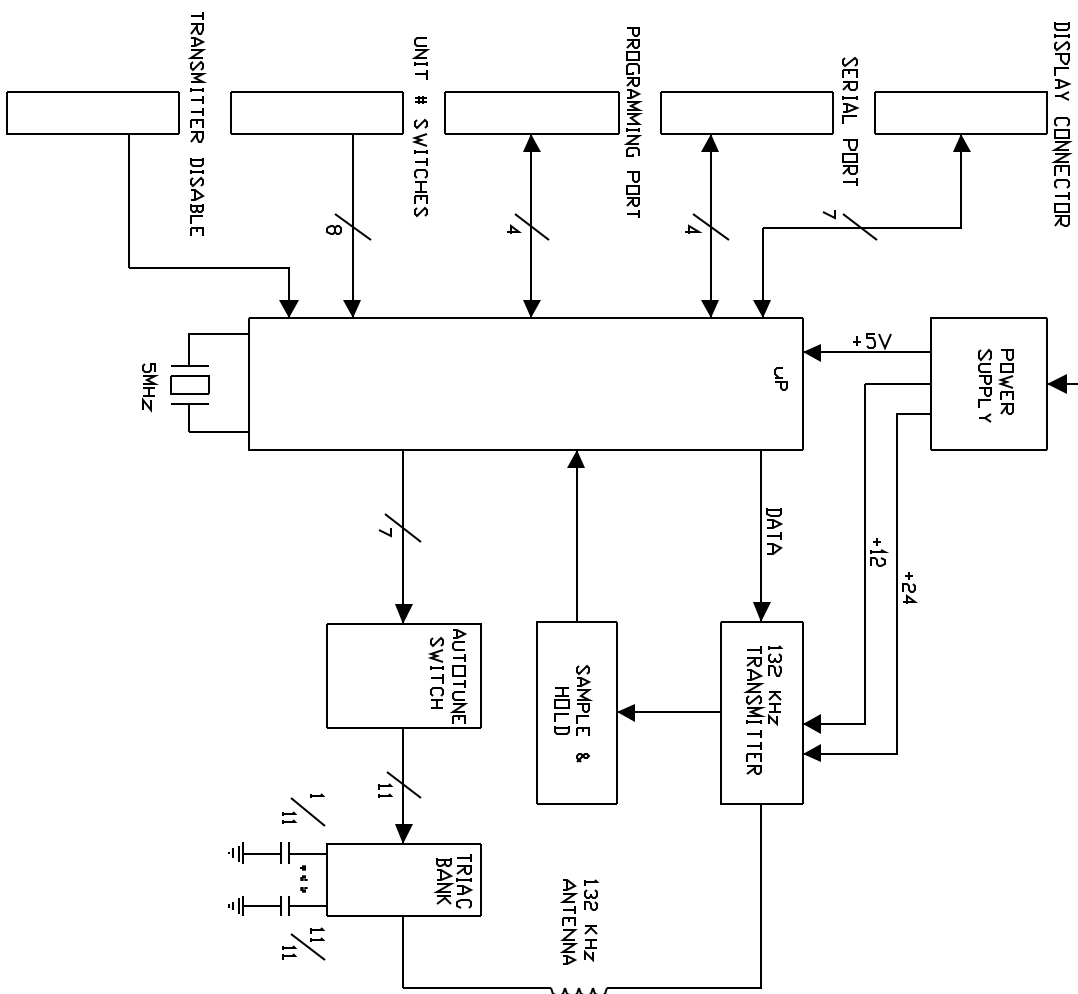


NOTICE: THIS DOCUMENT DISCLOSES SUBJECT MATTER IN WHICH ACCESS, AND HAS PROPRIETARY RIGHTS. NO OTHER REPRODUCTION OR USE OF THIS DOCUMENT, IN WHOLE OR IN PART, IS PERMITTED WITHOUT THE WRITTEN PERMISSION FROM ACCESS INC.

| REVISIONS |                 | DATE       | BY  |
|-----------|-----------------|------------|-----|
| REV       | DESCRIPTION     |            |     |
| A         | INITIAL RELEASE | 01/17/2001 | ART |



| UNLESS OTHERWISE SPECIFIED (DIMENSIONS ARE IN INCHES UNLESS OTHERWISE SPECIFIED)  | APPROVALS                 | DATE                 | ACCESS Inc.                              |
|---|---------------------------|----------------------|--|
| FRACTIONS: 1/64, 1/32, 1/16, 1/8, 1/4, 1/2, 3/4, 1, 1 1/4, 1 1/2, 1 3/4, 2, 2 1/4, 2 1/2, 2 3/4, 3, 3 1/4, 3 1/2, 3 3/4, 4, 4 1/4, 4 1/2, 4 3/4, 5, 5 1/4, 5 1/2, 5 3/4, 6, 6 1/4, 6 1/2, 6 3/4, 7, 7 1/4, 7 1/2, 7 3/4, 8, 8 1/4, 8 1/2, 8 3/4, 9, 9 1/4, 9 1/2, 9 3/4, 10, 10 1/4, 10 1/2, 10 3/4, 11, 11 1/4, 11 1/2, 11 3/4, 12, 12 1/4, 12 1/2, 12 3/4, 13, 13 1/4, 13 1/2, 13 3/4, 14, 14 1/4, 14 1/2, 14 3/4, 15, 15 1/4, 15 1/2, 15 3/4, 16, 16 1/4, 16 1/2, 16 3/4, 17, 17 1/4, 17 1/2, 17 3/4, 18, 18 1/4, 18 1/2, 18 3/4, 19, 19 1/4, 19 1/2, 19 3/4, 20             | DRAWN BY<br>A. THOMASSON  | 01/17/2001           | 320B Commander Dr.<br>Cerritos, TX 75008 |
| TOLERANCES: FRACTIONS: 1/64, 1/32, 1/16, 1/8, 1/4, 1/2, 3/4, 1, 1 1/4, 1 1/2, 1 3/4, 2, 2 1/4, 2 1/2, 2 3/4, 3, 3 1/4, 3 1/2, 3 3/4, 4, 4 1/4, 4 1/2, 4 3/4, 5, 5 1/4, 5 1/2, 5 3/4, 6, 6 1/4, 6 1/2, 6 3/4, 7, 7 1/4, 7 1/2, 7 3/4, 8, 8 1/4, 8 1/2, 8 3/4, 9, 9 1/4, 9 1/2, 9 3/4, 10, 10 1/4, 10 1/2, 10 3/4, 11, 11 1/4, 11 1/2, 11 3/4, 12, 12 1/4, 12 1/2, 12 3/4, 13, 13 1/4, 13 1/2, 13 3/4, 14, 14 1/4, 14 1/2, 14 3/4, 15, 15 1/4, 15 1/2, 15 3/4, 16, 16 1/4, 16 1/2, 16 3/4, 17, 17 1/4, 17 1/2, 17 3/4, 18, 18 1/4, 18 1/2, 18 3/4, 19, 19 1/4, 19 1/2, 19 3/4, 20 | CHECKED BY<br>ENGINEERING |                      | TITLE: AT-132_ACTIVATOR<br>BLOCK DIAGRAM |
| TEXT: BLOCK: 801-01-34V-01  | MANUFACTURING             |                      | DWG NUM: XXX.DXX.DXX                     |
| FINISH:   |                           |                      |  |
| NEXT ASSY APPLICATION USED ON   | REMOVE ALL SWAP TAGS      | DO NOT SCALE DRAWING | SCALE NONE                               |
|   |                           | SHEET 1 OF 1         | REV A                                    |

2

1