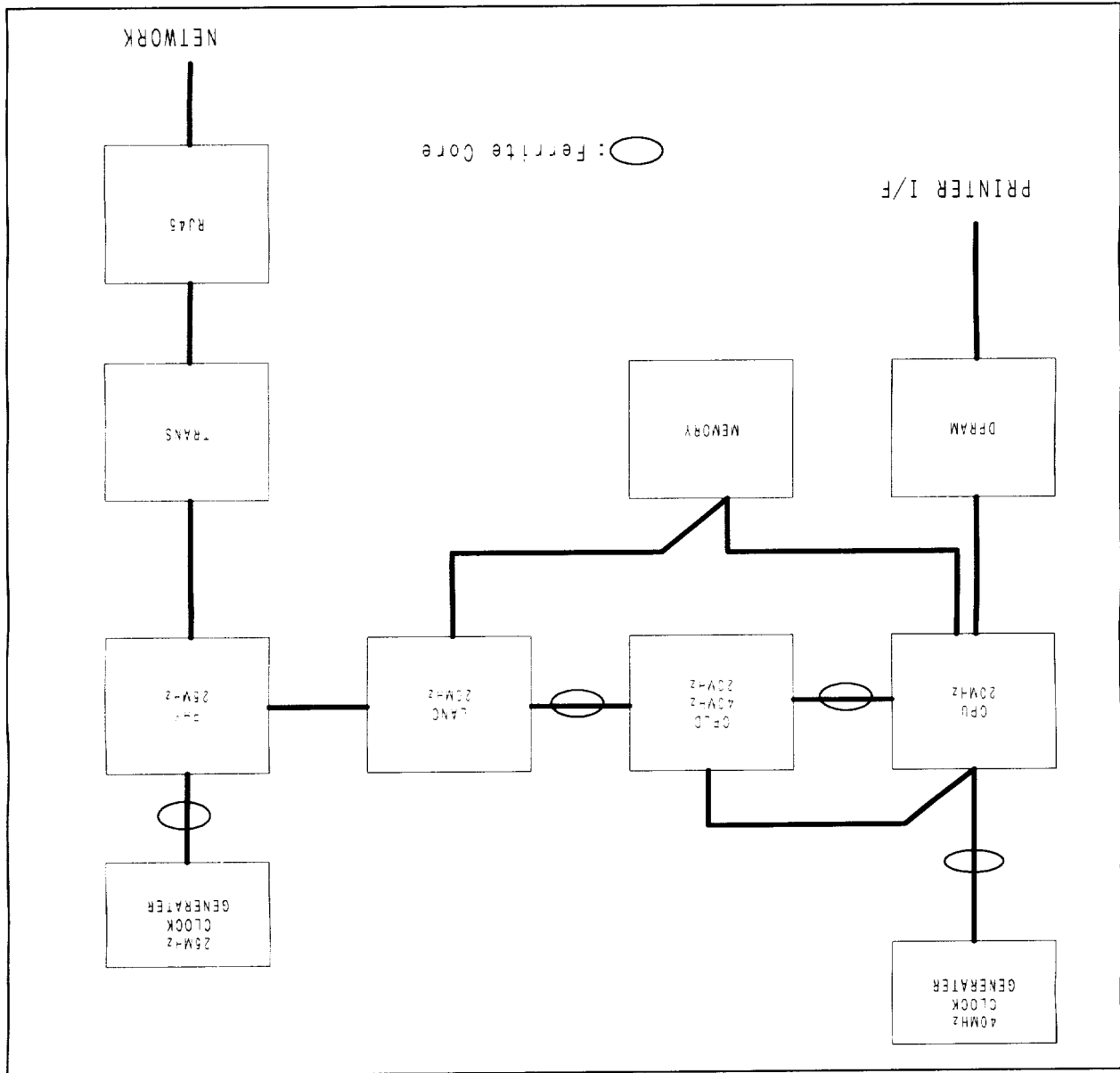


1 - Block diagram

BLOCK DIAGRAM



Theories of operation

Following 6 repetitions from 1.

1. Data are transmitted to PHY from a network.
2. PHY receives data.
3. PHY transmits received data to LAN.
4. LAN transmits received data to a memory.
5. CPU analyzes data on a memory.
6. CPU sends analyzed data to a printer.

Contents

1	Block diagram
2	Labelling requirements
3	Information to the user
4	Photograph of device
5	EMC Test report