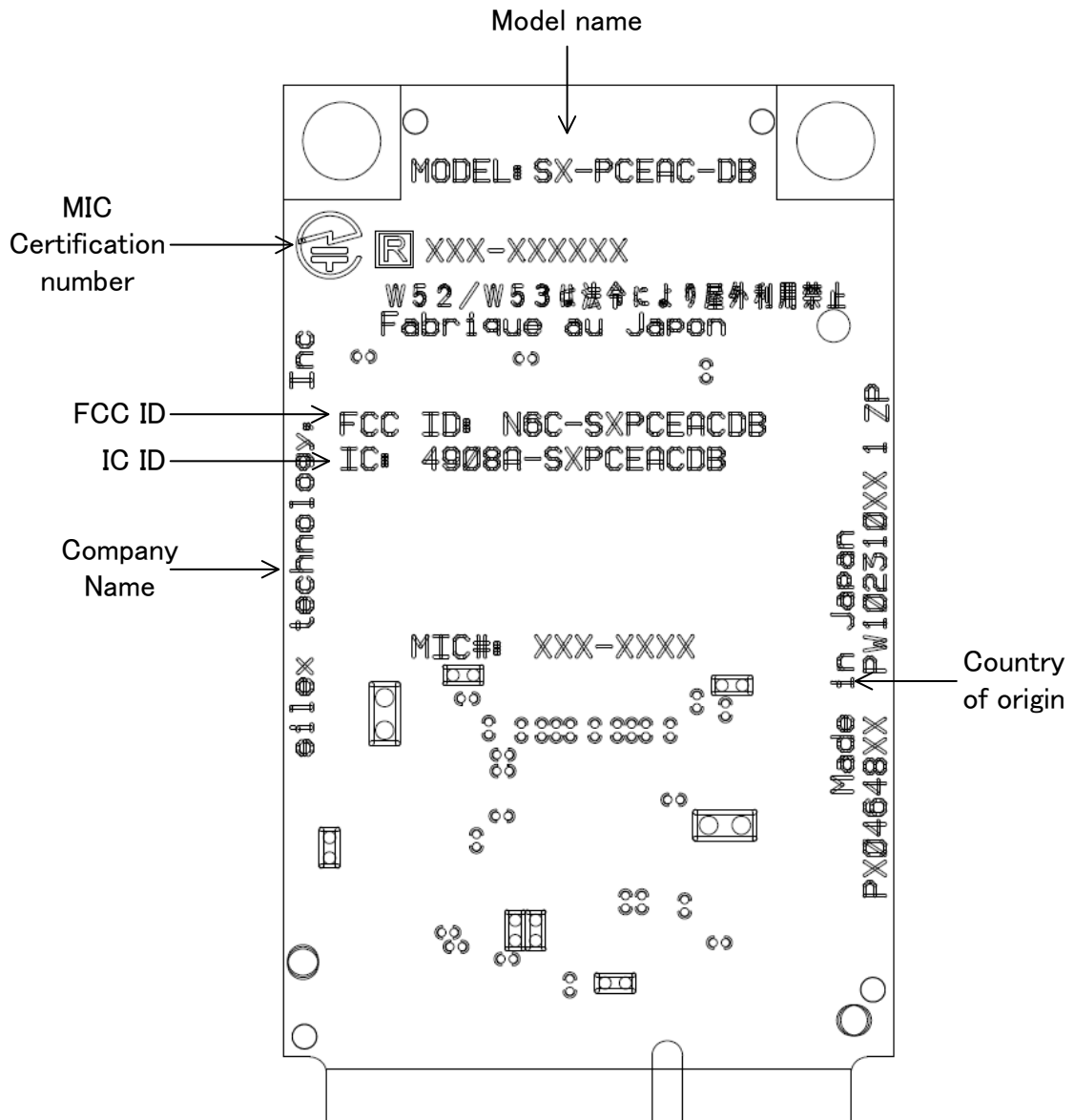


## SX-PCEAC-DB - Marking information

Marking position



※FCC ID, IC ID and MIC number shall be printed on the module. (Silk print)