

#### **APPENDIX 4 : Photographs of test setup**

##### **Photographs of host device**

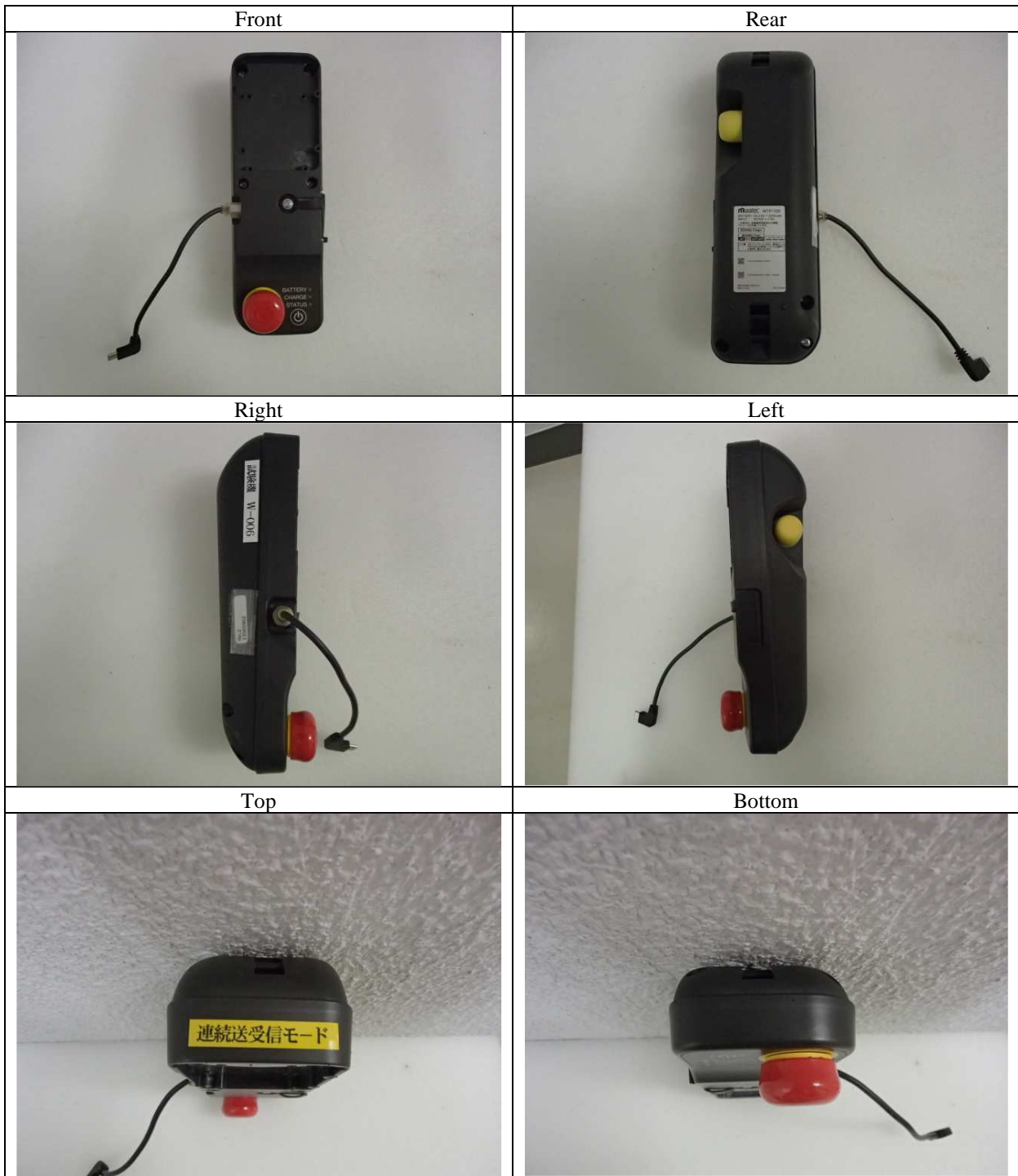
###### **<Information of the Host device>**

Type of Equipment : Muratec FSCS series  
Model No. : WTP-100  
Serial No. : W-006  
Rating : Battery:  
DC 3.6 V,  
3200 mAh  
\* The test was performed with the EUT operated by battery.  
The Host device does not have option battery.  
Size of Host device : 211.8 mm x 69.8 mm x 50.0 mm

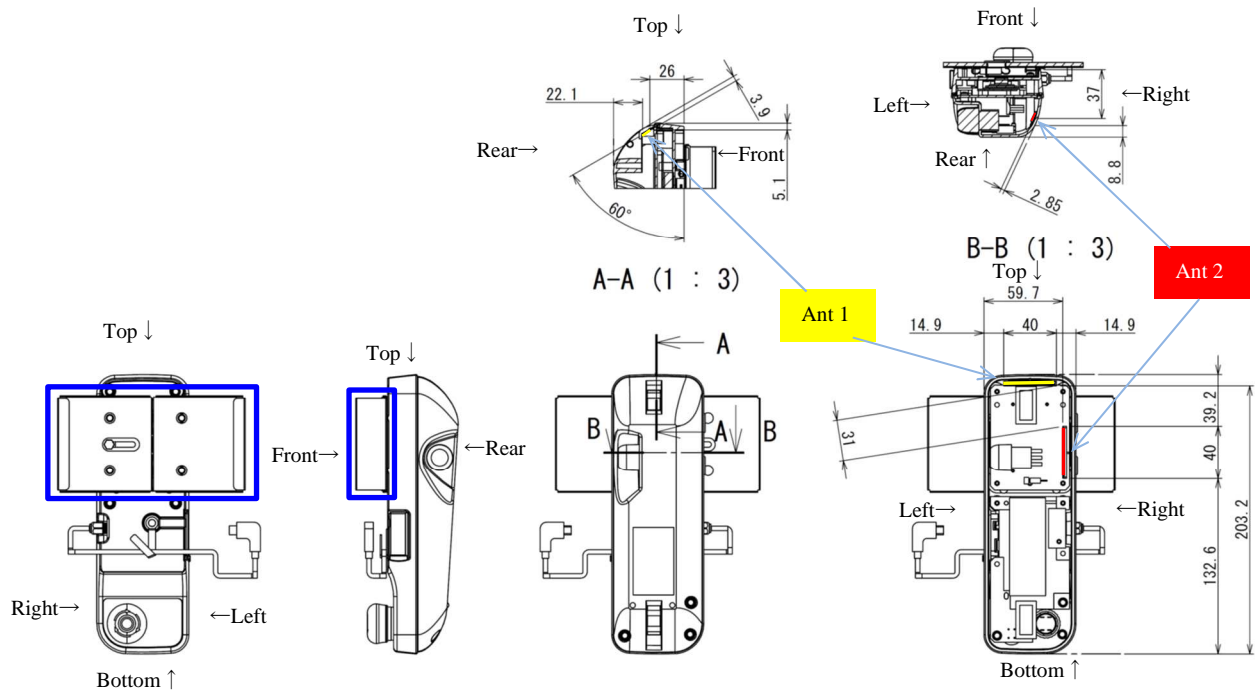
###### **Variant model**

This model has a variant model: WTP-110, WTP-120.

The only difference between WTP-100 and variant models (WTP-110, WTP-120) is the size of tray and USB type. Therefore the test was performed with WTP-100 as a representative and the test was performed on the tray was removed.

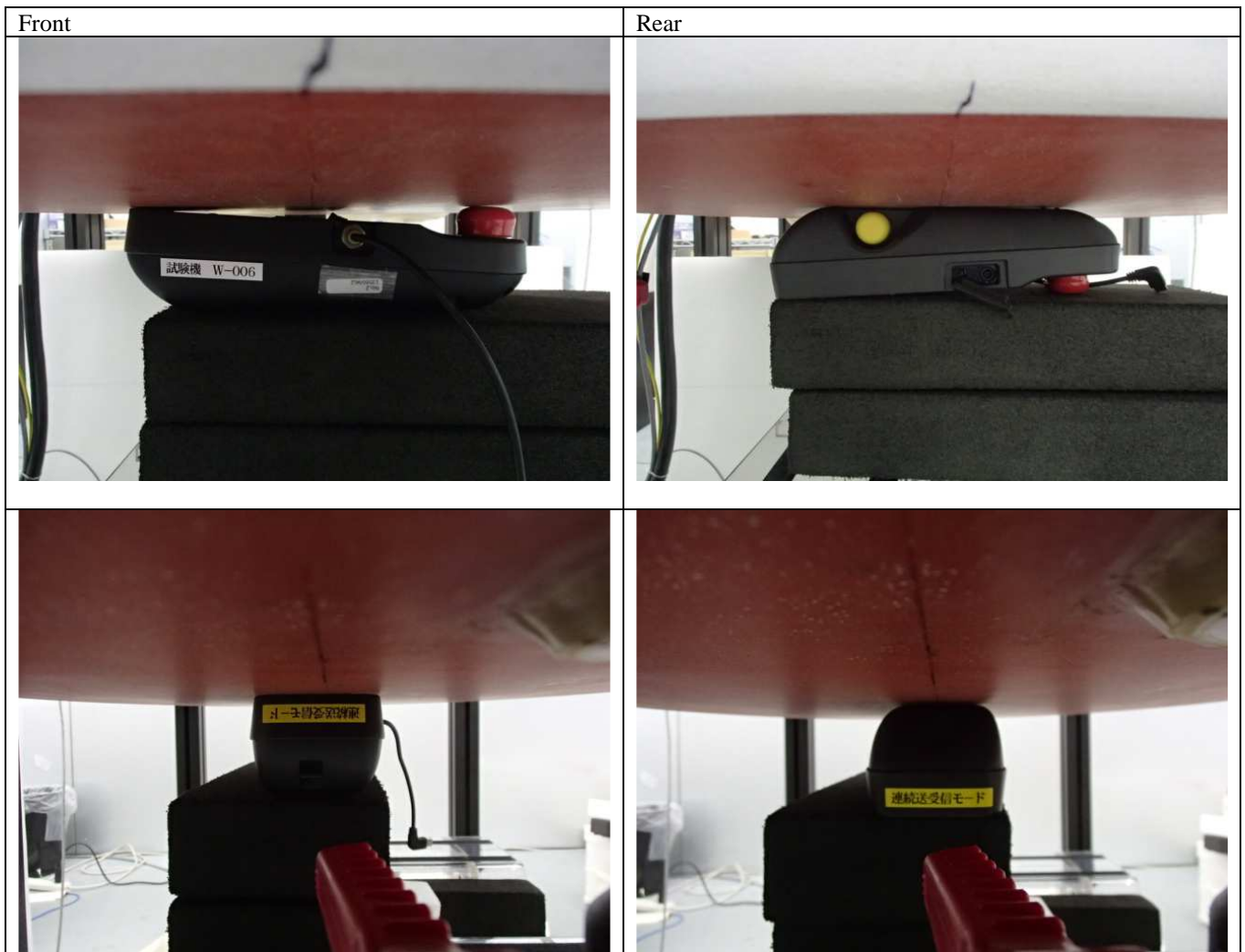


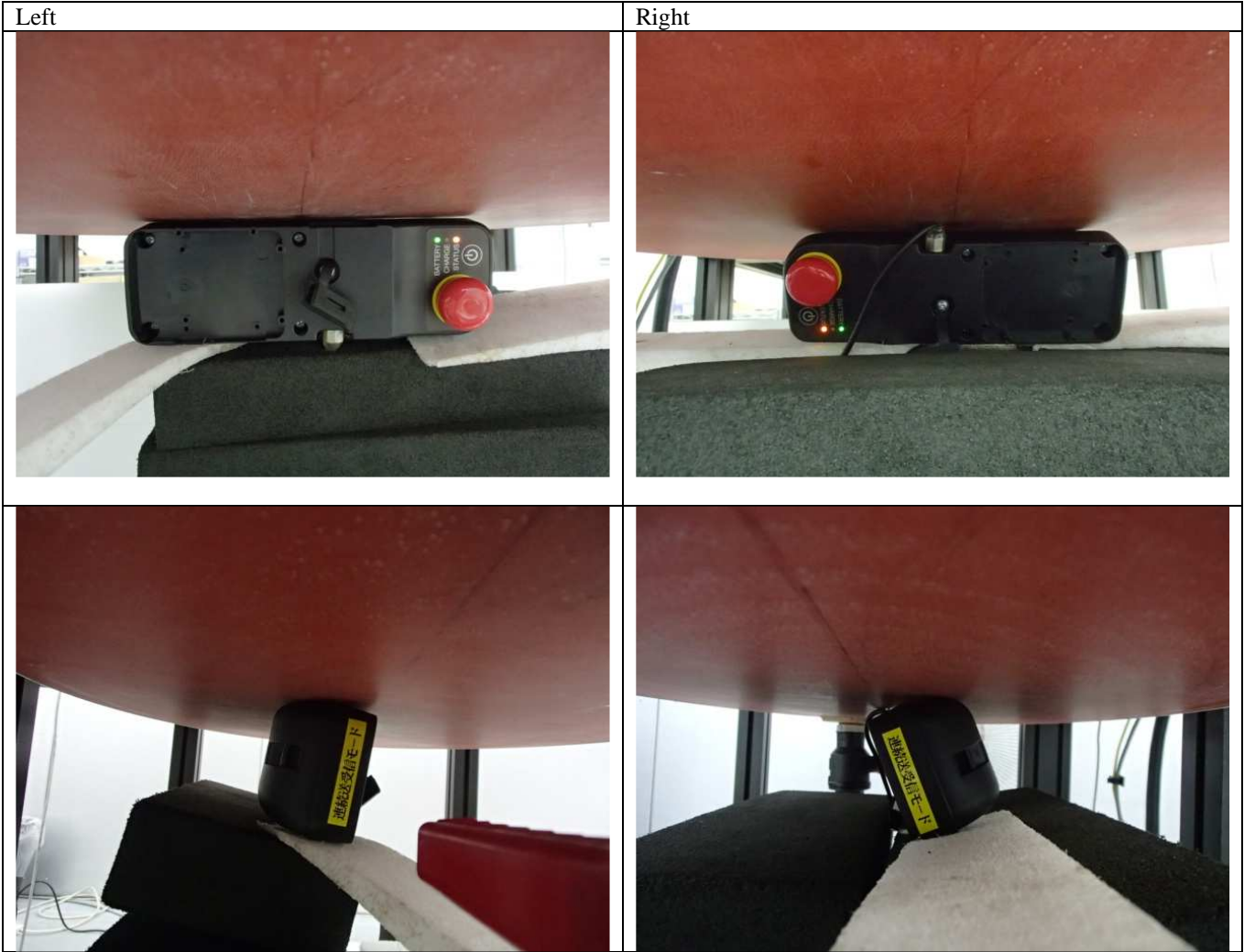
Antenna position

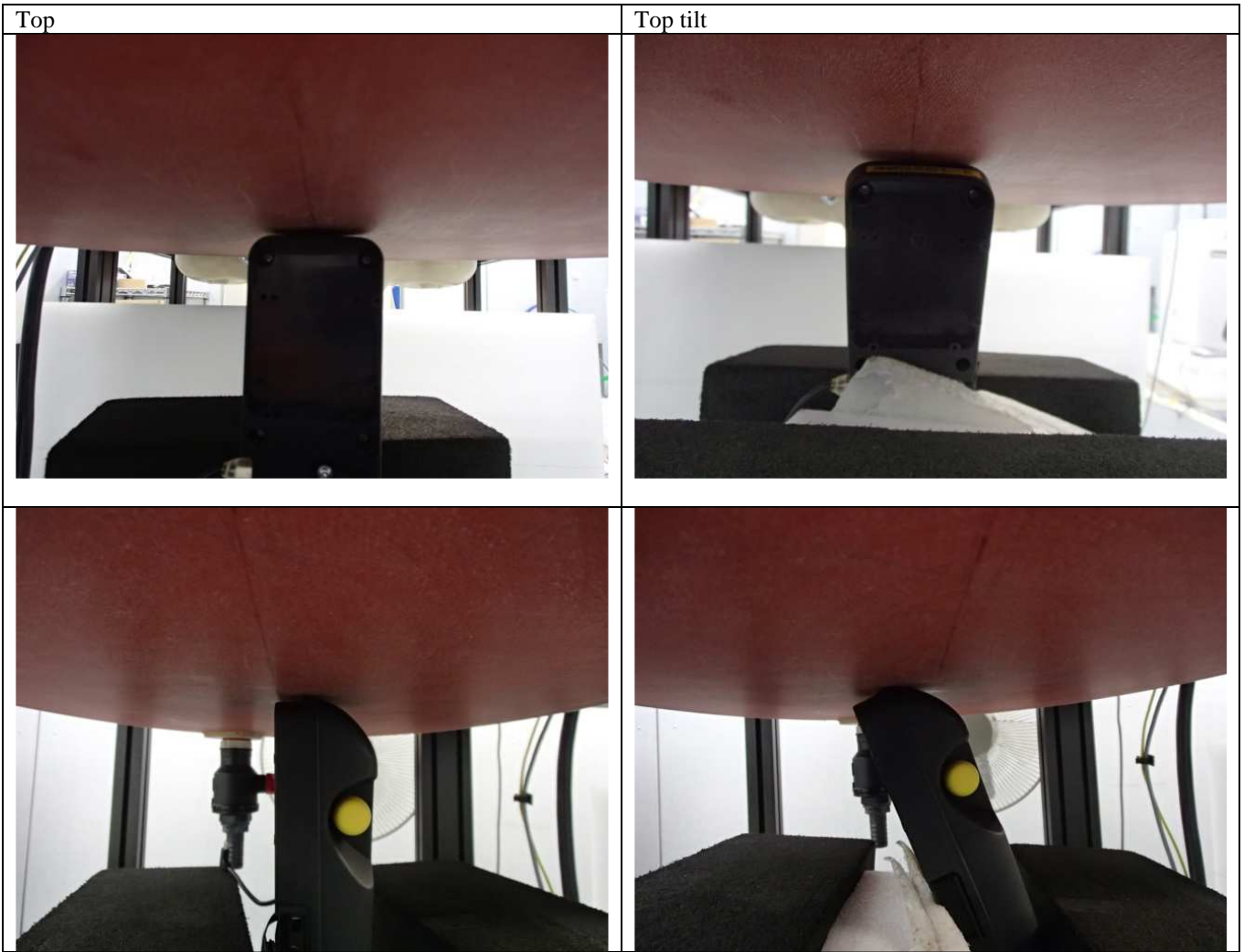


\*When the SAR test was performed, the part of Blue enclosing line was removed.

Photographs of setup







**End of Report**