




# RADIO TEST REPORT


Test Report No. : 32IE0154-HO-01-D-R1

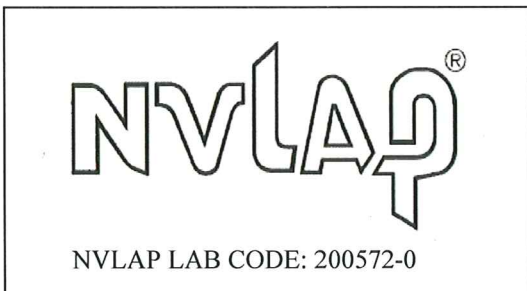
**Applicant** : **silex technology, Inc.**  
**Type of Equipment** : **SDIO Wireless Module**  
**Model No.** : **SX-SDMAN**  
**FCC ID** : **N6C-SDMAN**  
**Test regulation** : **FCC Part 15 Subpart E: 2012  
(DFS test only)**  
**Test Result** : **Complied**

1. This test report shall not be reproduced in full or partial, without the written approval of UL Japan, Inc.
2. The results in this report apply only to the sample tested.
3. This sample tested is in compliance with above regulation.
4. The test results in this report are traceable to the national or international standards.
5. This test report must not be used by the customer to claim product certification, approval, or endorsement by NVLAP, NIST, or any agency of the Federal Government.
6. This report is a revised version of 32IE0154-HO-01-D. 32IE0154-HO-01-D is replaced with this report.

**Date of test:** July 12, 2012

**Representative test engineer:**   
Katsunori Okai  
Engineer of WiSE Japan,  
UL Verification Service

**Approved by:**   
Takahiro Hatakeda  
Leader of WiSE Japan,  
UL Verification Service



This laboratory is accredited by the NVLAP LAB CODE 200572-0, U.S.A. The tests reported herein have been performed in accordance with its terms of accreditation. \*As for the range of Accreditation in NVLAP, you may refer to the WEB address, <http://www.ul.com/japan/jpn/pages/services/emc/about/mark1/index.jsp#nvlap>

<b>CONTENTS</b>	<b>PAGE</b>
<b>SECTION 1: Customer information.....</b>	<b>3</b>
<b>SECTION 2: Equipment under test (E.U.T.).....</b>	<b>3</b>
<b>SECTION 3: Scope of Report.....</b>	<b>5</b>
<b>SECTION 4: Test specification, procedures &amp; results.....</b>	<b>5</b>
<b>SECTION 5: Operation of E.U.T. during testing.....</b>	<b>10</b>
<b>SECTION 6: Channel Move Time, Channel Closing Transmission Time.....</b>	<b>16</b>
<b>SECTION 7: Non-Occupancy Period .....</b>	<b>18</b>
<b>APPENDIX 1: Test instruments .....</b>	<b>20</b>
<b>APPENDIX 2: Photographs of test setup .....</b>	<b>21</b>

## **SECTION 1: Customer information**

Company Name : silex technology, Inc.  
Address : 2-3-1 Hikaridai, Seika-cho, Kyoto 619-0237, Japan  
Telephone Number : +81-774-98-3878  
Facsimile Number : +81-774-98-3758  
Contact Person : Toshiro Kometani

## **SECTION 2: Equipment under test (E.U.T.)**

### **2.1 Identification of E.U.T.**

Type of Equipment : SDIO Wireless Module  
Model No. : SX-SDMAN  
Serial No. : Refer to Section 5, Clause 5.2  
Rating : DC3.3V  
Receipt Date of Sample : July 11, 2012  
Country of Mass-production : Japan  
Condition of EUT : Production prototype  
(Not for Sale: This sample is equivalent to mass-produced items.)  
Modification of EUT : No Modification by the test lab

---

**UL Japan, Inc.**

**Head Office EMC Lab.**

4383-326 Asama-cho, Ise-shi, Mie-ken 516-0021 JAPAN

Telephone : +81 596 24 8116

Facsimile : +81 596 24 8124

## 2.2 Product Description

Model No: SX-SDMAN (referred to as the EUT in this report) is the SDIO Wireless Module.

### General Specification

Clock frequency(ies) in the system : 26MHz

### Radio Specification

Radio Type : Transceiver  
Method of Frequency Generation : Synthesizer  
Power Supply (inner) : DC1.2V

### Specification of Wireless LAN (IEEE802.11b/g/a/n-20/n-40)

Type of radio	IEEE802.11b	IEEE802.11g	IEEE802.11a	IEEE802.11n (20 M band)	IEEE802.11n (40 M band)
Frequency of operation	2412-2462MHz	2412-2462MHz	5180-5320MHz 5745-5825MHz	2412 - 2462MHz 5180-5320MHz 5745-5825MHz	5190 - 5310MHz 5755 - 5795MHz
Type of modulation	DSSS (CCK, DQPSK, DBPSK)	OFDM-CCK (64QAM, 16QAM, QPSK, BPSK)	OFDM (64QAM, 16QAM, QPSK, BPSK)		
Channel spacing	5MHz		20MHz	<u>2.4GHz band</u> 5MHz <u>5GHz band</u> 20MHz	40MHz
Antenna type	Sleeve antenna: Sansei Embedded antenna: Ethertronics				
Antenna Gain	Sleeve antenna: 1.0dBi (2.4GHz including cableloss 0.5dB), 1.1dBi (5GHz including cableloss 1.0dB) Embedded antenna: 2.0dBi (2.4GHz including cableloss 0.5dB), 2.5dBi (5GHz including cableloss 1.0dB)				
Antenna Connector type	U.FL connector				

### Specification of Bluetooth (Ver.4.0 + EDR)

Type of radio	Bluetooth
Frequency of Operation	2402-2480MHz
Type of Modulation	FHSS
Channel spacing	1MHz
Antenna type	Embedded antenna: Ethertronics
Antenna Gain	2.0dBi (2.4GHz including cableloss 0.5dB), 2.5dBi (5GHz including cableloss 1.0dB)
Antenna Connector Type	U.FL Alternative connector

### Specification of Low Energy (Ver.4.0 + EDR/LE Dual mode)

Type of radio	Low Energy
Frequency of Operation	2402-2480MHz
Type of Modulation	DSSS
Channel spacing	2MHz
Antenna type	Embedded antenna: Ethertronics
Antenna Gain	2.0dBi (2.4GHz including cableloss 0.5dB), 2.5dBi (5GHz including cableloss 1.0dB)
Antenna Connector Type	U.FL Alternative connector

\*This test report applies for Wireless LAN (IEEE802.11a/n-20/n-40).

Wireless LAN and Bluetooth do not transmit simultaneously.

**UL Japan, Inc.**

**Head Office EMC Lab.**

4383-326 Asama-cho, Ise-shi, Mie-ken 516-0021 JAPAN

Telephone : +81 596 24 8116

Facsimile : +81 596 24 8124

### **SECTION 3: Scope of Report**

This report only covers DFS requirement, as specified by the following referenced procedures.

### **SECTION 4: Test specification, procedures & results**

#### **4.1 Test Specification**

Test Specification	:	FCC Part 15 Subpart E: 2012, final revised on May 17, 2012 and effective June 18, 2012
Title	:	FCC 47CFR Part15 Radio Frequency Device Subpart E Unlicensed National Information Infrastructure Devices Section 15.407 General technical requirements
Test Specification	:	FCC 06-96 APPENDIX
Title	:	COMPLIANCE MEASUREMENT PROCEDURES FOR UNLICENSED- NATIONAL INFORMATION INFRASTRUCTURE DEVICES OPERATING IN THE 5250-5350 MHz AND 5470-5725MHz BANDS INCORPORATING DYNAMIC FREQUENCY SELECTION

#### **FCC 15.31 (e)**

The RF Module has own regulator.

The RF Module is constantly provided voltage through own regulator regardless of input voltage (DC3.3V).

Therefore, this EUT complies with the requirement.

#### **FCC Part 15.203/212 Antenna requirement**

The EUT has a unique antenna connector (U.FL).

Therefore the equipment complies with the requirement of 15.203/212.

---

**UL Japan, Inc.**

**Head Office EMC Lab.**

4383-326 Asama-cho, Ise-shi, Mie-ken 516-0021 JAPAN

Telephone : +81 596 24 8116

Facsimile : +81 596 24 8124

## 4.2 Procedures and results

**Table 1: Applicability of DFS Requirements**

Requirement	Operating Mode	Test Procedures & Limits	Deviation	Results
	Client without Radar Detection			
U-NII Detection Bandwidth	Not required	FCC 06-96 Appendix 7.8.1	N/A	N/A
Channel Availability Check Time	Not required	FCC15.407 (h)	N/A	N/A
		FCC 06-96 Appendix 7.8.2.1		
		Appendix 7.8.2.2		
		Appendix 7.8.2.3		
Channel Move Time, Channel Closing Transmission Time	Yes	FCC15.407 (h)	N/A	Complied
		FCC 06-96 Appendix 7.8.3		
		RSS-210 A9.3		
Non-Occupancy period	Yes	FCC15.407 (h)	N/A	Complied
		FCC 06-96 Appendix 7.8.3		
		RSS-210 A9.3		
In-Service Monitoring	Not required	FCC15.407 (h)	N/A	N/A
		FCC 06-96 Appendix 7.8.4		
Overlapping Channel Tests	Not required	FCC15.407 (h)	N/A	N/A

**Table 2: DFS Detection Thresholds for Master Devices and Client Devices With Radar**

Maximum Transmit Power	Value (See Notes 1 and 2)
≥ 200 milliwatt	-64 dBm
< 200 milliwatt	-62 dBm
<p>Note 1: This is the level at the input of the receiver assuming a 0 dBi receive antenna.</p> <p>Note 2: Throughout these test procedures an additional 1 dB has been added to the amplitude of the test transmission waveforms to account for variations in measurement equipment. This will ensure that the test signal is at or above the detection threshold level to trigger a DFS response.</p>	

**Table 3 DFS Response Requirement Values**

Parameter	Value
Non-occupancy period	Minimum 30 minutes
Channel Availability Check Time	60 seconds
Channel Move Time	10 seconds See Note 1
Channel Closing Transmission Time	200 milliseconds + an aggregate of 60 milliseconds over remaining 10 second period. See Notes 1 and 2
U-NII Detection Bandwidth	Minimum 80% of the U-NII 99% transmission power bandwidth See Note 3
<p><b>Note 1:</b> The instant that the Channel Move Time and the Channel Closing Transmission Time begins is as follows:</p> <ul style="list-style-type: none"> <li>• For the Short Pulse Radar Test Signals this instant is the end of the <i>Burst</i>.</li> <li>• For the Frequency Hopping radar Test Signal, this instant is the end of the last radar <i>Burst</i> generated</li> <li>• For the Long Pulse Radar Test Signal this instant is the end of the 12 second period defining the <i>Radar Waveform</i>.</li> </ul> <p><b>Note 2:</b> The Channel Closing Transmission Time is comprised of 200 milliseconds starting at the beginning of the Channel Move Time plus any additional intermittent control signals required to facilitate a Channel move (an aggregate of 60 milliseconds) during the remainder of the 10 second period. The aggregate duration of control signal will not count quiet periods in between transmissions.</p> <p><b>Note 3:</b> During the U-NII Detection Bandwidth detection test, radar type 1 is used and for each frequency step the minimum percentage of detection is 90 percent. Measurements are performed with no data traffic.</p>	

**Table 4 Short Pulse Radar Test Waveform**

Radar Type	Pulse Width (μsec)	PRI (μsec)	Number of Pulses	Minimum Percentage of Successful Detection	Minimum Number of Trials
1	1	1428	18	60%	30
2	1-5	150-230	23-29	60%	30
3	6-10	200-500	16-18	60%	30
4	11-20	200-500	12-16	60%	30
Aggregate (Rader Types 1-4)				80%	120

**Table 5 Long Pulse Radar Test Waveform**

Radar Type	Pulse Width (μsec)	Chip Width (MHz)	PRI (μsec)	Number of Pulses per Burst	Number of Burst	Minimum Percentage of Successful Detection	Minimum Number of Trials
5	50-100	5-20	1000-2000	1-3	8-20	80%	30

**Table 6 Frequency Hopping Radar Test Waveform**

Radar Type	Pulse Width (μsec)	PRI (μsec)	Pulse per Hop (kHz)	Hopping Rate (kHz)	Hopping Sequence Length (msec)	Minimum Percentage of Successful Detection	Minimum Number of Trials
6	1	333	9	0.333	300	70%	30



### 4.3 Test Location

UL Japan, Inc. Head Office EMC Lab. \*NVLAP Lab. code: 200572-0  
4383-326 Asama-cho, Ise-shi, Mie-ken 516-0021 JAPAN  
Telephone : +81 596 24 8116 Facsimile : +81 596 24 8124

	FCC Registration Number	IC Registration Number	Width x Depth x Height (m)	Size of reference ground plane (m) / horizontal conducting plane	Other rooms
No.1 semi-anechoic chamber	313583	2973C-1	19.2 x 11.2 x 7.7m	7.0 x 6.0m	No.1 Power source room
No.2 semi-anechoic chamber	655103	2973C-2	7.5 x 5.8 x 5.2m	4.0 x 4.0m	-
No.3 semi-anechoic chamber	148738	2973C-3	12.0 x 8.5 x 5.9m	6.8 x 5.75m	No.3 Preparation room
No.3 shielded room	-	-	4.0 x 6.0 x 2.7m	N/A	-
No.4 semi-anechoic chamber	134570	2973C-4	12.0 x 8.5 x 5.9m	6.8 x 5.75m	No.4 Preparation room
No.4 shielded room	-	-	4.0 x 6.0 x 2.7m	N/A	-
No.5 semi-anechoic chamber	-	-	6.0 x 6.0 x 3.9m	6.0 x 6.0m	-
No.6 shielded room	-	-	4.0 x 4.5 x 2.7m	4.75 x 5.4 m	-
No.6 measurement room	-	-	4.75 x 5.4 x 3.0m	4.75 x 4.15 m	-
No.7 shielded room	-	-	4.7 x 7.5 x 2.7m	4.7 x 7.5m	-
No.8 measurement room	-	-	3.1 x 5.0 x 2.7m	N/A	-
No.9 measurement room	-	-	8.0 x 4.5 x 2.8m	2.0 x 2.0m	-
No.10 measurement room	-	-	2.6 x 2.8 x 2.5m	2.4 x 2.4m	-
No.11 measurement room	-	-	3.1 x 3.4 x 3.0m	2.4 x 3.4m	-

\* Size of vertical conducting plane (for Conducted Emission test) : 2.0 x 2.0m for No.1, No.2, No.3, and No.4 semi-anechoic chambers and No.3 and No.4 shielded rooms.

### 4.4 Uncertainty

The following uncertainties have been calculated to provide a confidence level of 95% using a coverage factor k=2.  
Time Measurement uncertainty for this test was: (±) 0.012%

### 4.5 Data of DFS test, Test instruments of DFS, Test set up

Refer to APPENDIX.

## **SECTION 5: Operation of E.U.T. during testing**

### **5.1 Operating Modes**

The EUT, which is a Client Device without Radar detection capability, operates over the 5250-5350MHz.

Power level(EIRP) of the EUT[dBm]

5250-5350MHz Band*	
Output Power (Min)	Output Power(Max)
13.37	16.24

\*Refer to 32IE0154-HO-01-C, FCC Part 15E (FCC 15.407) report for other parts than DFS.

The EUT uses one transmitter connected to two 50-ohm coaxial antenna ports. Both antenna ports are connected to the test system via a power divider to perform conducted tests.

WLAN traffic is generated by streaming the MPEG Test file “6 ½ Magic Hours” from the Master to the Client in full motion video mode.

The EUT utilizes the 802.11a architecture, with a nominal channel bandwidth.

The FCC ID for the Master Device used with EUT for DFS testing is LDK102056.

The rated output power of the Master unit is >200mW(23dBm). Therefore the required interference threshold level is -64 dBm. After correction for antenna gain and procedural adjustments, the required conducted threshold at the antenna port is  $-64 + 1 + 3.5 = -59.5$  dBm (threshold level + additional 1dB + antenna gain).

It is impossible for users to change DFS control, because the DFS function is written on the firmware and users cannot access it.

The EUT was set by the software as follows:

Software name & version: HW: PW100120, SW: OLCA 3.1.1

---

**UL Japan, Inc.**

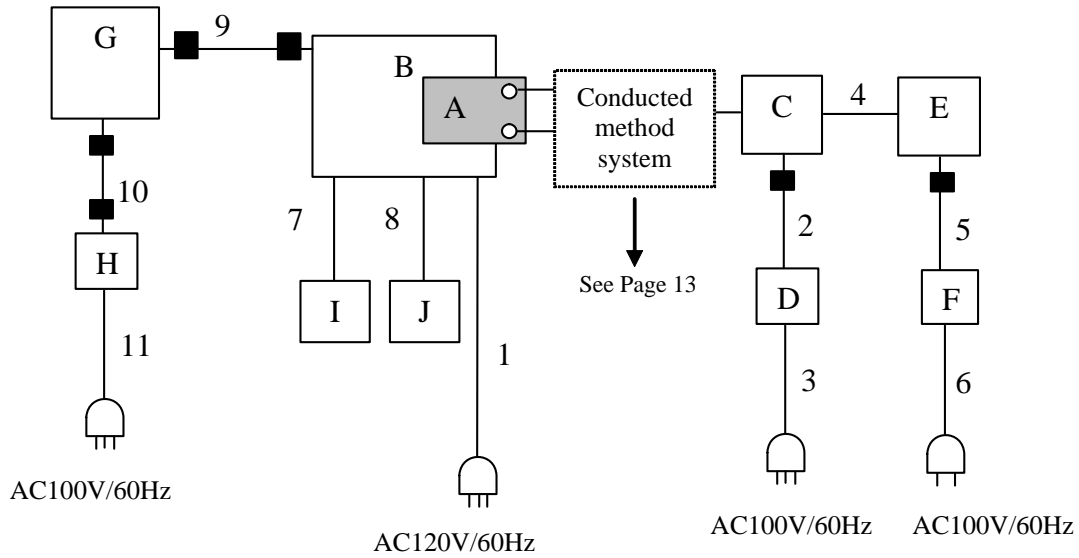
**Head Office EMC Lab.**

4383-326 Asama-cho, Ise-shi, Mie-ken 516-0021 JAPAN

Telephone : +81 596 24 8116

Facsimile : +81 596 24 8124

5.2 Configuration and peripherals



■ : Standard Ferrite Core

Description of EUT and Support equipment

No.	Item	Model number	Serial number	Manufacturer	Remarks
A	SDIO Wireless Module	SX-SDMAN	008092012A09	Silex	EUT
B	Desktop PC	SX02130	050479532	Faith	-
C	Wireless LAN access point	AIR-AP1242AG-A-K9	FTX1045B9L0	Cisco Systems	-
D	AC Adaptor	ADP-18PB	PZT0639562214	Cisco Systems	-
E	Note PC	7661-CB9	L3R2056	Lenovo	-
F	AC Adaptor	92P1160	11S92P1160Z1ZBG H7B99A8	Lenovo	-
G	Monitor	15NE2-W C	1004642B20945	iiyama	-
H	AC Adaptor	UP04821120A	03524F100007681	POTRANS	-
I	Mouse	Rev 6-1	0146177	-	-
J	Keyboard	5121W	H92002386	BTC	-

List of cables used

No.	Name	Length (m)	Shield	
			Cable	Connector
1	AC Cable	2.5	Unshielded	Unshielded
2	DC Cable	1.8	Unshielded	Unshielded
3	AC Cable	2.0	Unshielded	Unshielded
4	LAN Cable	2.0	Unshielded	Unshielded
5	DC Cable	1.8	Unshielded	Unshielded
6	AC Cable	0.9	Unshielded	Unshielded
7	Mouse Cable	1.5	Shielded	Shielded
8	Keyboard Cable	1.6	Shielded	Shielded
9	Monitor Cable	1.8	Shielded	Shielded
10	DC Cable	1.8	Unshielded	Unshielded
11	AC Cable	1.0	Unshielded	Unshielded

UL Japan, Inc.

Head Office EMC Lab.

4383-326 Asama-cho, Ise-shi, Mie-ken 516-0021 JAPAN

Telephone : +81 596 24 8116

Facsimile : +81 596 24 8124

### 5.3 Test and Measurement System

#### SYSTEM OVERVIEW

The measurement system is based on a conducted test method.

The software selects waveform parameters from within the bounds of the signal type on a random basis using uniform distribution. The short pulse types 2, 3, and 4, the long pulse type 5, and the frequency hopping type 6 parameters are randomized at run-time.

The signal monitoring equipment consists of a spectrum analyzer with the capacity to display 8001 bins on the horizontal axis. A time-domain resolution of 2 msec/bin is achievable with a 16 second sweep time, meeting the 10 seconds short pulse reporting criteria. The aggregate ON time is calculated by multiplying the number of bins above a threshold during a particular observation period by the dwell time per bin, with the analyzer set to peak detection.

#### FREQUENCY HOPPING RADAR WAVEFORM GENERATING SUBSYSTEM

The first 100 frequencies are selected out of the hopping sequence of the randomized 475 hop frequencies.

Only a *Burst* that has the frequency falling within the receiver bandwidth of the tested U-NII device is selected among those frequencies. (Frequency-domain simulation). The radar waveform generated at the start time of the selected *Burst* (Time-domain simulation) is download to the Signal Generator.

If all of the randomly selected 100 frequencies do not fall within the receiver bandwidth of the U-NII device, the radar waveform is not used for the test.

---

**UL Japan, Inc.**

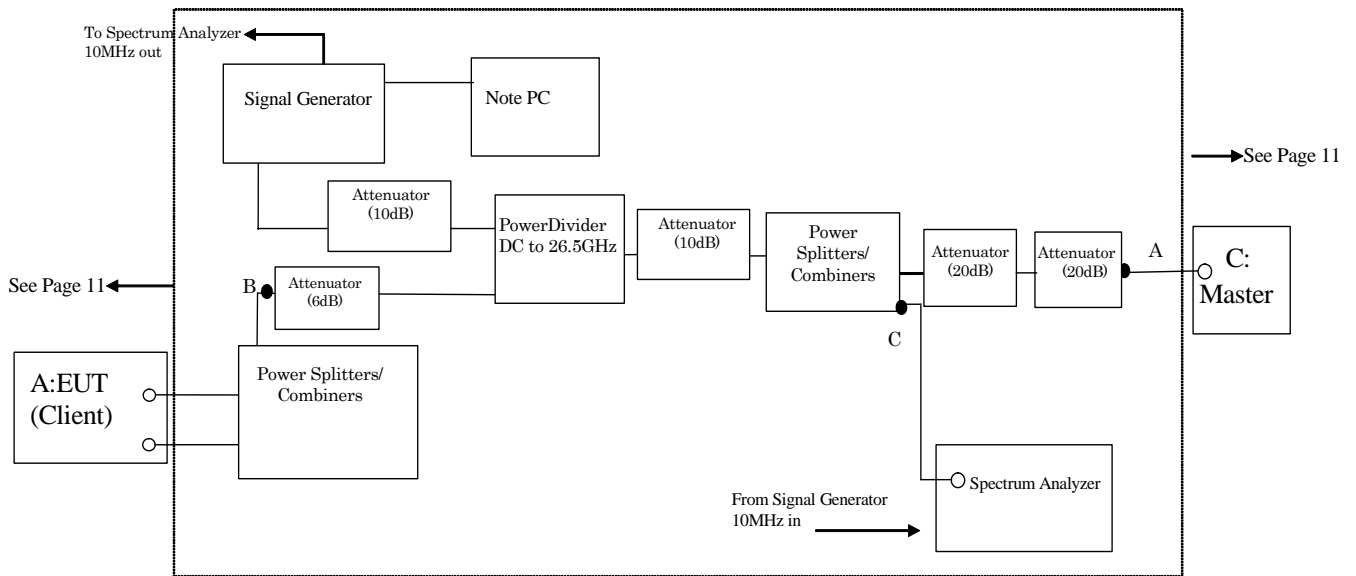
**Head Office EMC Lab.**

4383-326 Asama-cho, Ise-shi, Mie-ken 516-0021 JAPAN

Telephone : +81 596 24 8116

Facsimile : +81 596 24 8124

**CONDUCTED METHODS SYSTEM BLOCK DIAGRAM**



**MEASUREMENT SYSTEM FREQUENCY REFERENCE**

Lock the signal generator and the spectrum analyzer to the same reference sources as follows: Connect the 10MHz OUT on the signal generator to the 10MHz IN on the spectrum analyzer and set the spectrum analyzer 10MHz In to On.

**SYSTEM CALIBRATION**

**Step 1:** Set the system as shown in Figure 3 of FCC 06-96 7.2.1.

**Step 2:** Adjust each attenuator to fulfill the following three conditions:

- WLAN can be communicated, and
- Rader detection threshold level is bigger than Client Device traffic level on the spectrum analyzer, and
- Master Device traffic level is not displayed on the spectrum analyzer.

**Step 3:** Terminate 50 ohm at B and C points, and connect the spectrum analyzer to the point A. (See the figure on page 13) At the point A, adjust the signal generator and spectrum analyzer to the center frequency of the channel to be measured. Download the applicable radar waveforms to the signal generator. Select the radar waveform, trigger a burst manually and measure the amplitude on the spectrum analyzer. Readjust the amplitude of the signal generator as required so that the peak level of the waveform is at a displayed level equal to the required or desired interference detection threshold. Separate signal generator amplitude settings are determined as required for each radar type.

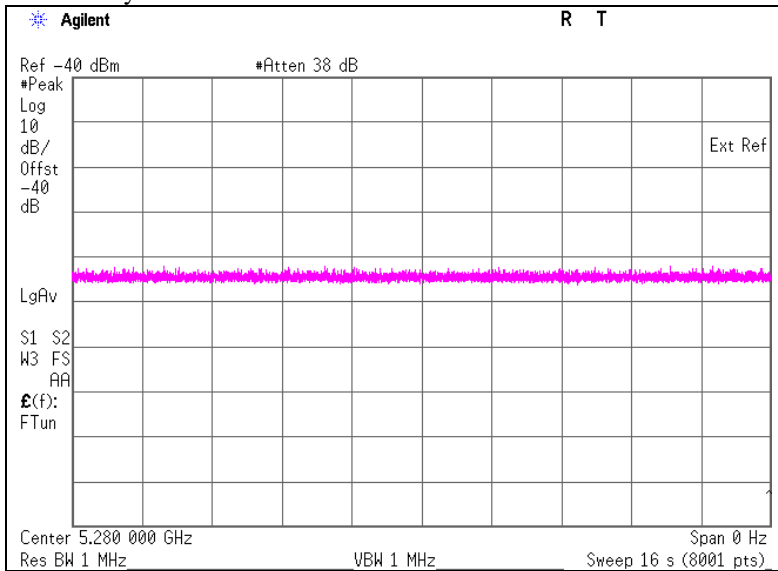
**Step 4:** Without changing any of the instrument settings, restore the system setting to Step 2 and adjust the Reference Level Offset of the spectrum analyzer to the level at Step 3.

By taking the above steps 1 to 4, the spectrum analyzer displays the level of the signal generator as received at the antenna ports of the Master Device.

See Clause 5.4 for Plots of Noise, Rader Waveforms, and WLAN signals.

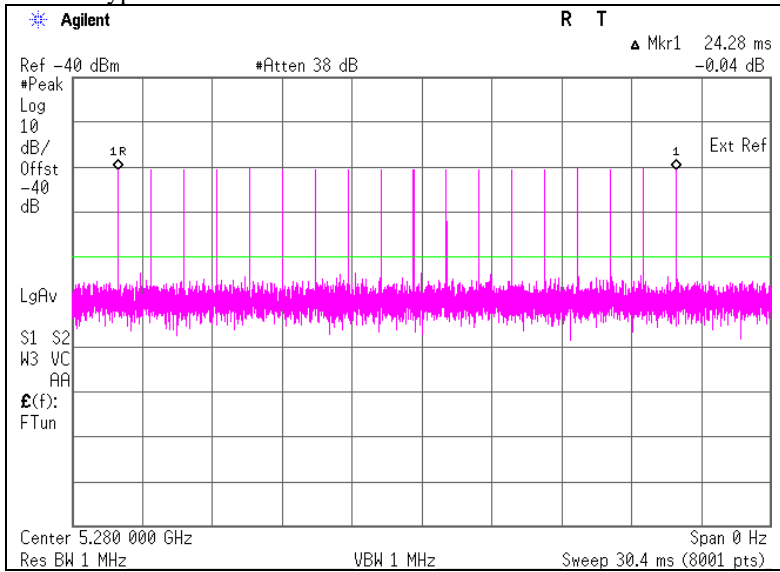
**5.4 Plots of Noise, Rader Waveforms, and WLAN signals**

Plots of System Noise Floor

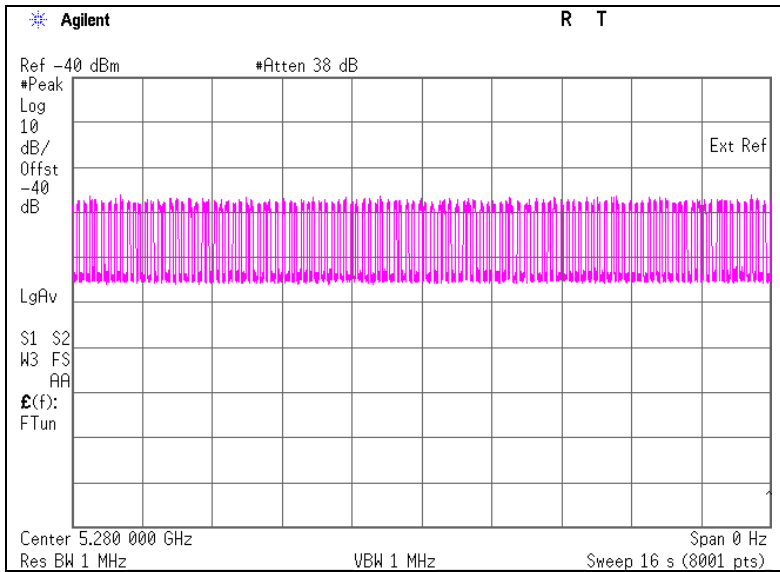


Plots of Radar Waveforms

Rader Type 1



Plots of WLAN Traffic



## **SECTION 6: Channel Move Time, Channel Closing Transmission Time**

### **6.1 Operating environment**

Test place : No.11 measurement room  
Temperature : 23 deg.C  
Humidity : 68 % RH

### **6.2 Test Procedure**

Stream the MPEG test file from the Master Device to the Client Device on the test Channel for the entire period of the test. The Radar Waveform generator sends a Burst of pulses for one of the Short Pulse Radar Types 1-4 at levels defined , on the Operating Channel. An additional 1 dB is added to the radar test signal to ensure it is at or above the DFS Detection Threshold, accounting for equipment variations/errors.  
Observe the transmissions of the EUT at the end of the radar Burst on the Operating Channel for duration greater than 10 seconds.

### **6.3 Test data**

Test Item	Unit	Measurement Time	Limit	Results
Channel Move Time *1)	[sec]	0.204	10.000	Pass
Channel Closing Transmission Time *2)	[msec]	2	60	Pass

\*1) Channel Move Time is calculated as follows:

$$(\text{Channel Move Time}) = (\text{End of Transmission}) - (\text{End of Burst}) = 1.628 - 1.424$$

\*2) Channel Closing Transmission Time is calculated from (End of Burst + 200msec) to (End of Burst + 10sec )

$$(\text{Channel Closing Transmission Time}) = (\text{Number of analyzer bins showing transmission}) * (\text{dwell time per bin}) \\ = 1 * 2(\text{msec})$$

---

**UL Japan, Inc.**

**Head Office EMC Lab.**

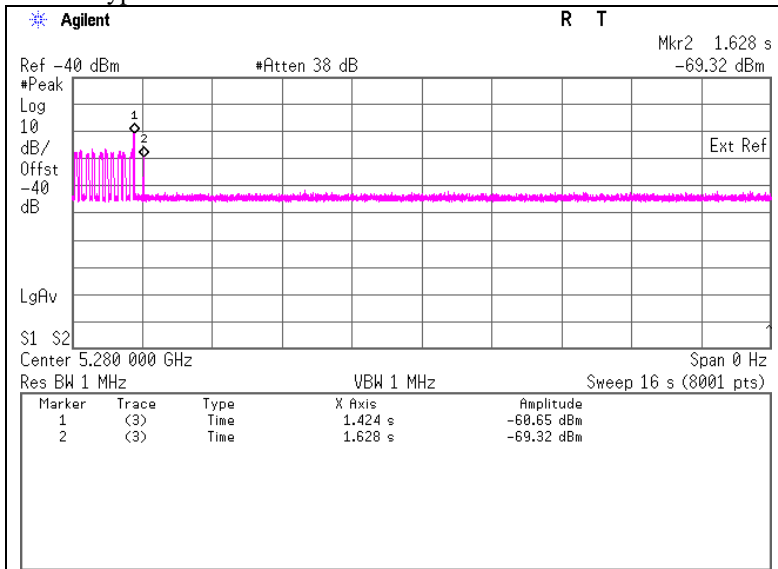
4383-326 Asama-cho, Ise-shi, Mie-ken 516-0021 JAPAN

Telephone : +81 596 24 8116

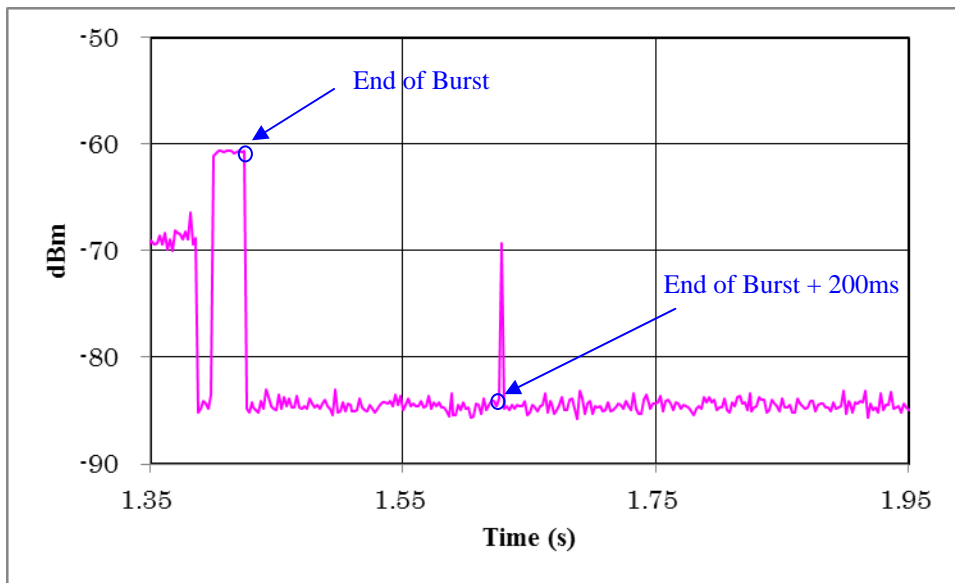
Facsimile : +81 596 24 8124



Radar Type 1



**Marker 1 : End of Burst : 1424 ms**  
**Marker 2 : End of Transmission : 1628 ms**



6.4 Test result

Test result: Pass

Date : July 12, 2012

Test engineer : Katsunori Okai

## SECTION 7: Non-Occupancy Period

### 7.1 Operating environment

Test place : No.6 measurement room  
 Temperature : 23 deg.C  
 Humidity : 68 % RH

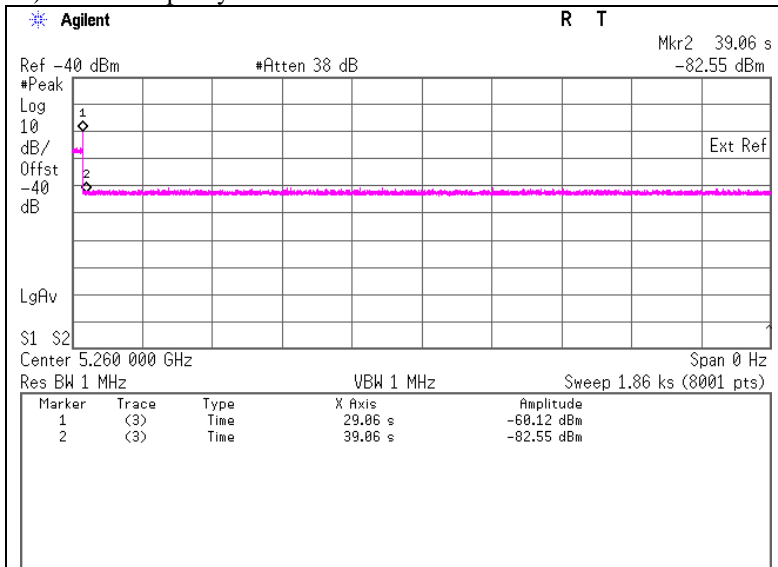
### 7.2 Test Procedure

The following two tests are performed:

- 1). Stream the MPEG test file from the Master Device to the Client Device on the test Channel for the entire period of the test.  
 The Radar Waveform generator sends a Burst of pulses for one of the Radar Types 1-6 at levels defined on the Operating Channel. An additional 1 dB is added to the radar test signal to ensure it is at or above the DFS Detection Threshold, accounting for equipment variations/errors.  
 Observe the transmissions of the EUT after the Channel Move Time on the Operating Channel for duration greater than 30 minutes.
- 2). Stream the MPEG test file from the Master Device to the Client Device on the test Channel for the entire period of the test. Observe the transmissions of the EUT on the Operating Channel for duration greater than 30 minutes after the Master Device is shut off.

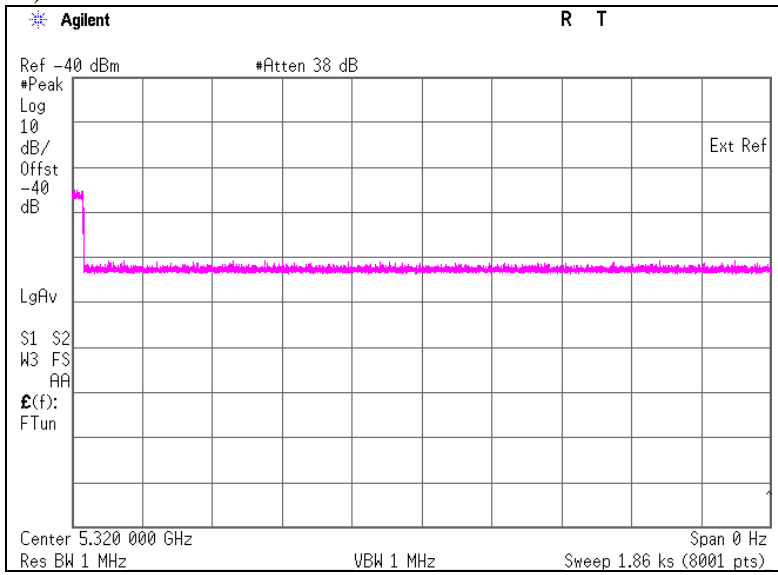
### 7.3 Test data

#### 1). Non-Occupancy Period



**Marker 1 : End of Burst : 29.06 sec**  
**Marker 2 : End of Burst +10sec : 39.06 sec**

2).Master is shut off



7.4 Test result

Test result: Pass

Date :July 12, 2012

Test engineer : Katsunori Okai

## **APPENDIX 1: Test instruments**

### **EMI Test Equipment**

Control No.	Instrument	Manufacturer	Model No	Serial No	Test Item	Calibration Date * Interval(month)
MOS-19	Thermo-Hygrometer	Custom	CTH-201	0001	DFS	2011/12/09 * 12
MSA-10	Spectrum Analyzer	Agilent	E4448A	MY46180655	DFS	2012/02/03 * 12
EST-48 *1)	Signal Generator	Agilent	E4438C	MY45090353	DFS	2011/11/09 * 12
COTS-MDFS-01	Signal Studio Software for DFS	Agilent	N7620A-101	5010-7739	DFS	-
COTS-MDFS-02	Radar Generating Software for DFS	Agilent	-	-	DFS	-
MCC-96	Microwave Cable 1G-40GHz	Schner	SUCOFLEX102	30817/2	DFS	2012/05/09 * 12
MCC-67	Microwave Cable 1G-40GHz	Suhner	SUCOFLEX102	28635/2	DFS	2012/04/25 * 12
MCC-36	Microwave Cable	Hirose Electric	U.FL-2LP-066-A-(200)	-	DFS	2011/09/30 * 12
MCC-102	Microwave Cable	Hirose Electric	U.FL-2LP-066J1-A(200)	-	DFS	2012/06/27 * 12
MCC-137	Microwave cable	HUBER+SUHNER	SUCOFLEX 102	37954/2	DFS	2011/10/28 * 12
MAT-60	Attenuator(20dB)	Suhner	6820.19.A	-	DFS	Pre Check
MAT-61	Attenuator(20dB)	Suhner	6820.19.A	-	DFS	Pre Check
MAT-57	Attenuator(10dB)	Suhner	6810.19.A	-	DFS	Pre Check
MAT-19	Attenuator(6dB)(above 1GHz)	HIROSE ELECTRIC CO.,LTD.	AT-106	-	DFS	2012/01/12 * 12
MAT-56	Attenuator(10dB)	Suhner	6810.19.A	-	DFS	Pre Check
MPD-01	PowerDivider DC to 26.5GHz	Agilent	11636B	52258	DFS	2012/03/27 * 12
MPSC-01	Power splitters/Combiners	Mini-Circuit	ZFSC-2-2500	0124	DFS	2011/09/27 * 12
MPSC-02	Power Splitters/Combiners	Mini-Circuit	ZFSC-2-10G	0127	DFS	Pre Check

**\*1) Signal generator is only used to generate radar test signal, and the wave form is confirmed with spectrum analyzer every time before the test.**

**The expiration date of the calibration is the end of the expired month.**

**All equipment is calibrated with valid calibrations. Each measurement data is traceable to the national or international standards.**

**As for some calibrations performed after the tested dates, those test equipment have been controlled by means of an unbroken chains of calibrations.**

**DFS: Dynamic Frequency Selection**

**UL Japan, Inc.**

**Head Office EMC Lab.**

**4383-326 Asama-cho, Ise-shi, Mie-ken 516-0021 JAPAN**

**Telephone : +81 596 24 8116**

**Facsimile : +81 596 24 8124**