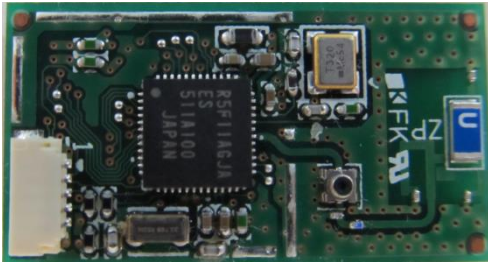
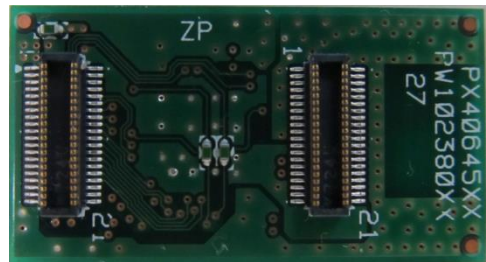


3. Mechanical Specifications

TOP view



Bottom view



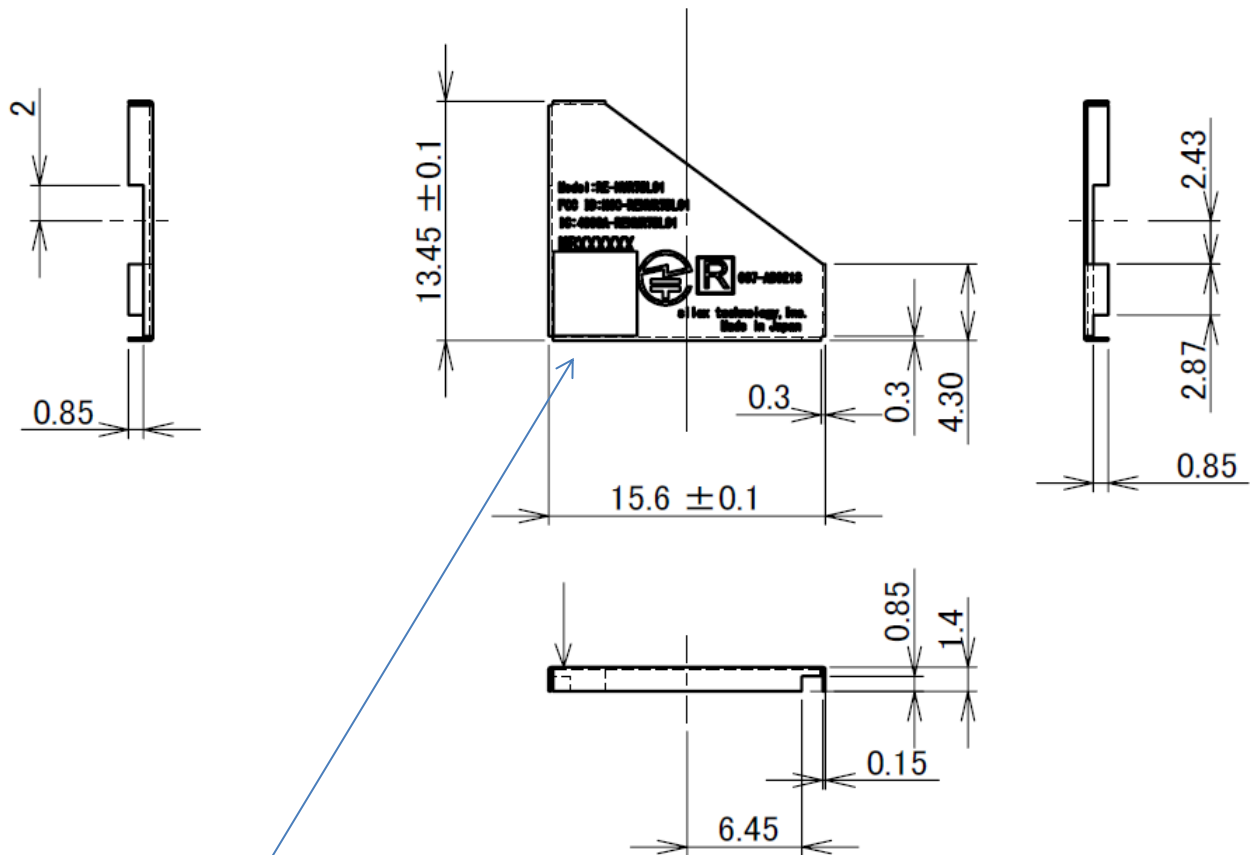
All dimension tolerances are $\pm 0.15\text{mm}$, unless otherwise specified.

Items	Descriptions	
Demantion	W 28mm × H 15 mm × D 4mm	

Photo



4. Marking specifications



Model : RE-HURTBL01
 FCC ID : N6C-REHURTBL01
 IC : 4908A-REHURTBL01
 Made in Japan