

Antenna information

Designation HF Antenna
Manufacturer: Valeo
Model / Part No.: b468099

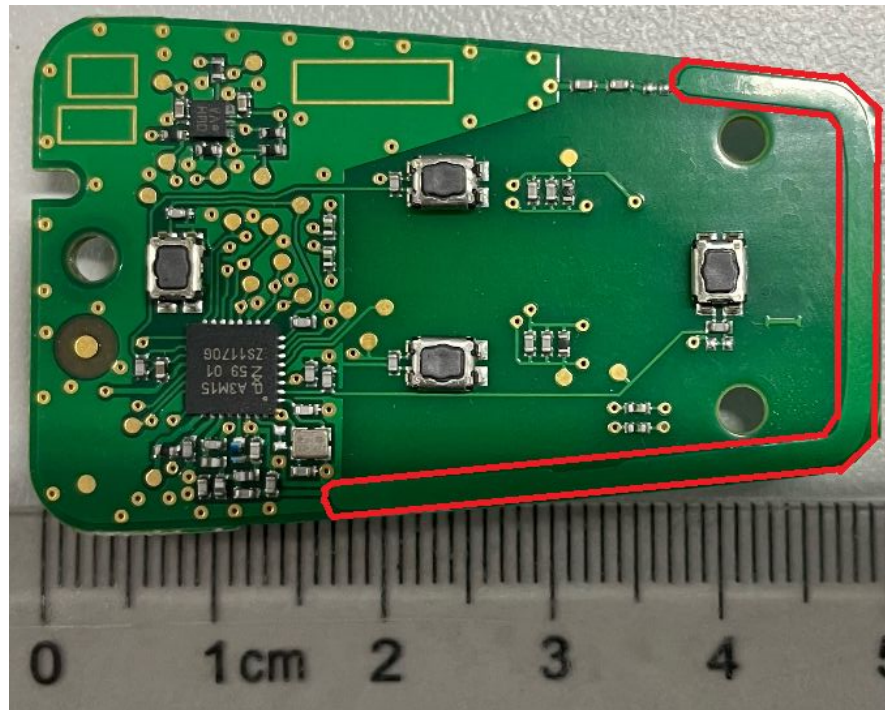
Product: IML G2.1 4B (434 MHz, 434 MHz LP)
Model(s): IM32A, IM32C



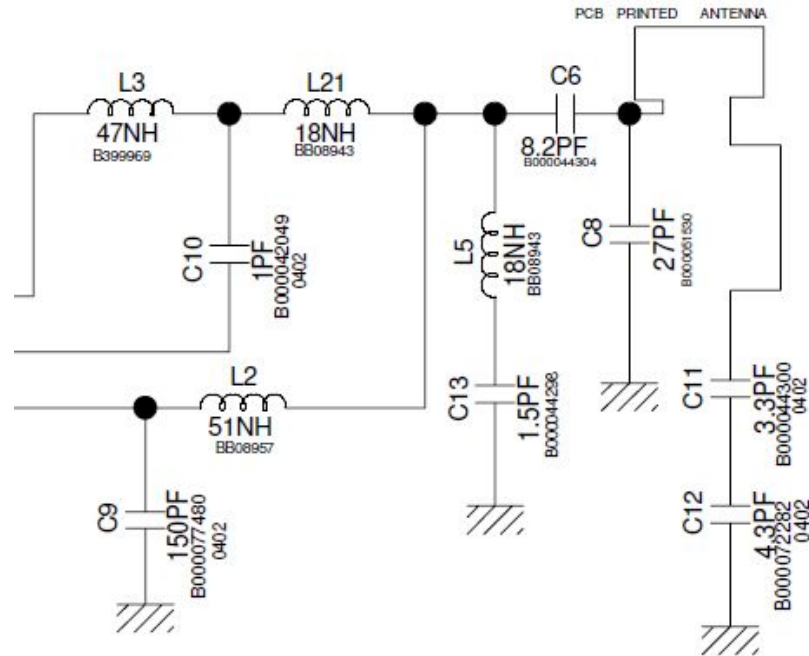
Status: **RELEASE**
Doc.No.: IM32_4384_1
Revision: 1.1
Date: 14.12.2022

Type: integral

Layout: see picture below

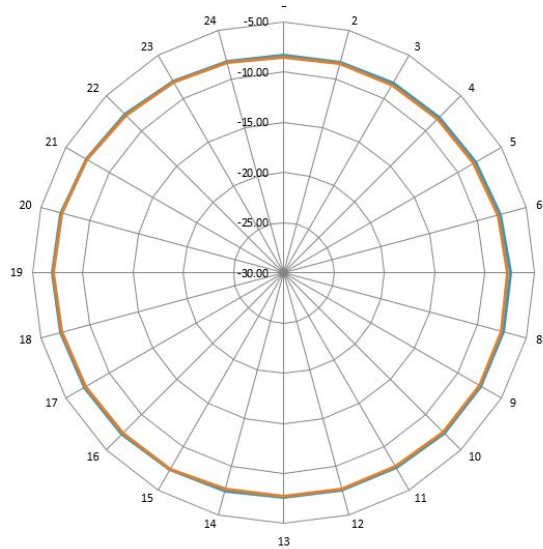


Antenna matching

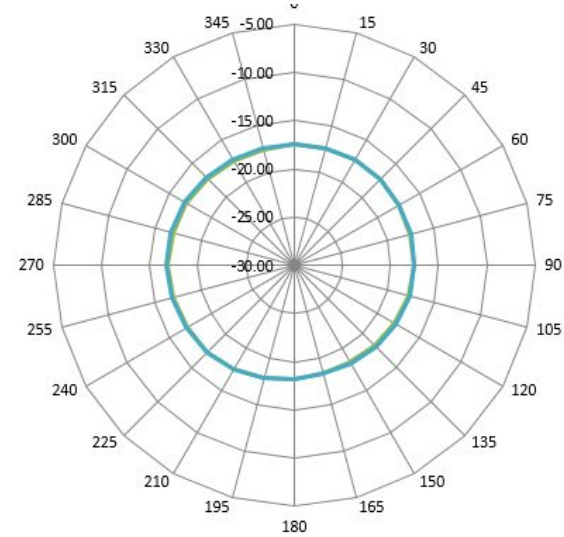


Gain

IM32A



IM32C



Model	Ant. Gain (dBi)	Isotropic (dB)
IM32A	-19	< 2
IM32C	-19	< 2

Test means:

- Spectrum analyzer HP 4403B
- Log Antenna VULB 9163

