



# ONETECH Corp.

2F. KUNHAN BD, 1557-11 SEOCHO-DONG, SEOCHO-KU, SEOUL 137-070 KOREA  
TEL: 587-9037 FAX: 587-9039

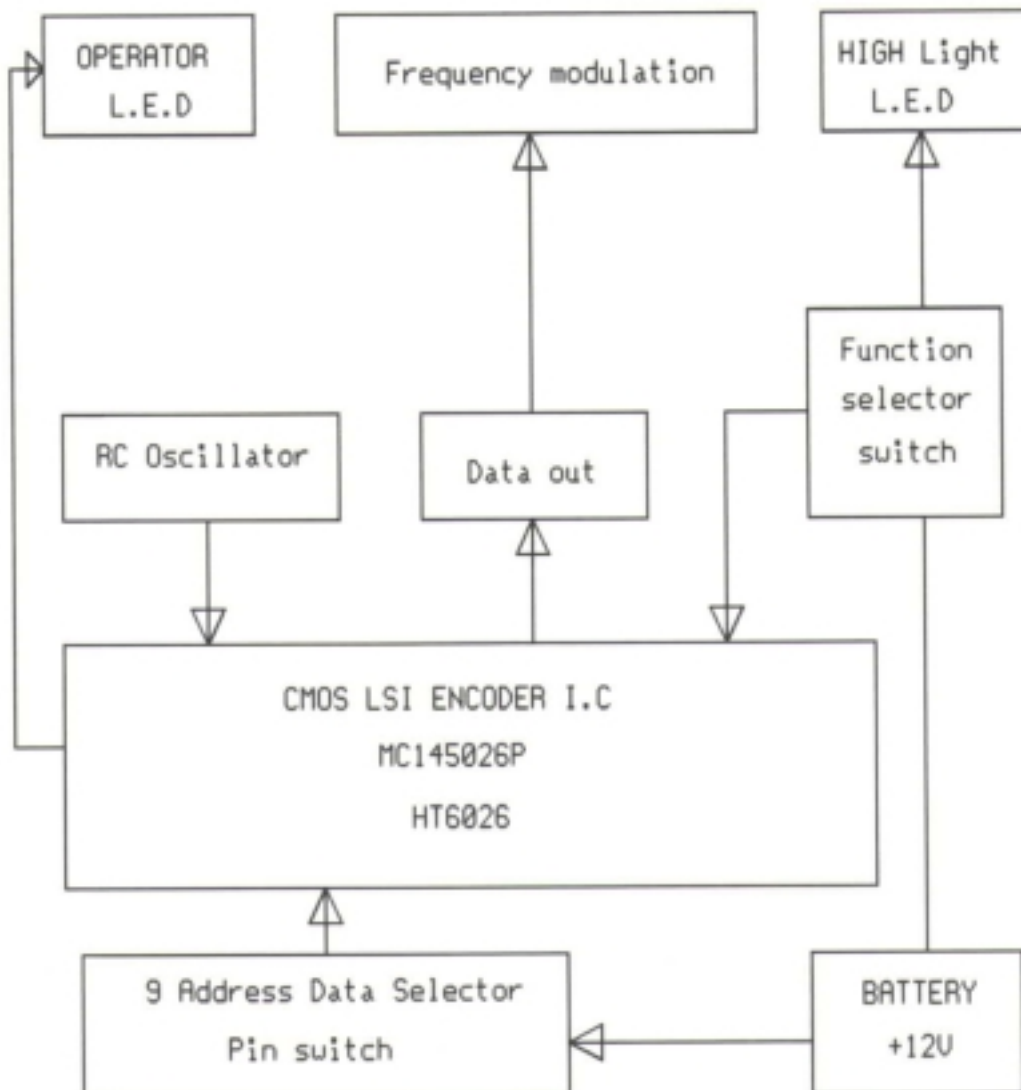
## USER'S MANUAL & SCHEMATIC (BLOCK DIAGRAM)

SECURITY / REMOTE CONTROL TRANSMITTER  
CERTIFICATION TO FCC PART 15 REQUIREMENT

PRODUCT	MULTI CODE TRANSMITTER		
FCC ID	N55CARPER318		
MODEL NO.	CARPER318	SERIAL NO.	N/A
APPLICANT & ADDRESS	SAMHONG ENGINEERING CO., LTD. 324-4, DANG JUNG-DONG, KUMPO-SI, KYUNGKI-DO, 435-030, KOREA		

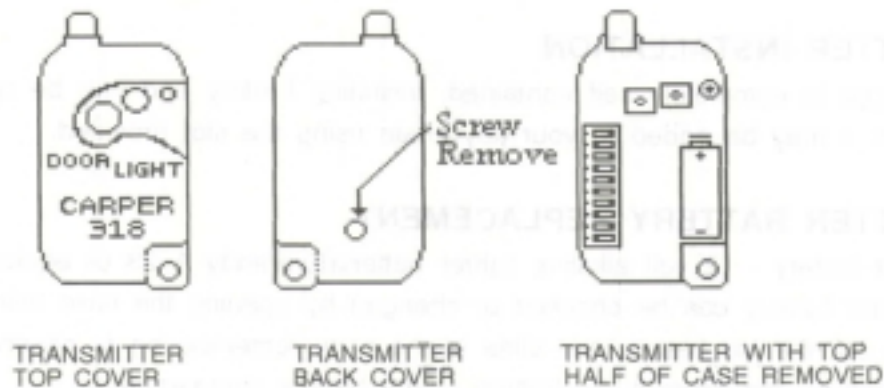
REPORT NO.	E989R-009	ISSUE DATE	September 8, 1998
PREPARED BY : ONETECH CORPORATION 2 F. KUNHAN B/D, 1557-11, SEOCHO-DONG, SEOCHO-KU, SEOUL 137-070 KOREA (TEL)02-587-9037, (FAX)02-587-9039			

# BLOCK DIAGRAM



## CARPER - 318

### DIGITAL MULTI CODE TRANSMITTER



( DIAGRAM #1)

#### FUNCTION DESCRIPTION

- 1) Door button : press the button, The garage door start operation.
- 2) Light button : press the button, you can see object in the dark.

#### ACCESSING THE CODE SWITCH AND BATTERY COMPARTMENT.

The model 318 CARPER-Transmitter case is composed of 2 halves which can be opened by the driver. Once opened you will have access to both the code setting switch and the battery compartment.(See Diagram #1)

#### SELECTING A CODE

Set both transmitter and receiver switches to the code of your choice, being sure both are set the same since a different setting of just one switch will prevent operation. The digital code is determined by the position of 9 small switches numbered 1 through 9 located in the receiver and transmitter. Any combination of "on" or "off" positions can be selected by using a pencil or ball point pen. ( Note: The switches are in the "on" position when the switch is depressed toward the ON) See diagram #2



DIAGRAM #2

Once the codes have been set, check operation and reassemble the transmitter case.

## TRANSMITTER INSTALLATION

This transmitter is completely self contained, including battery and can be operated while held in hand. It may be added to your key chain using the slot provided.

## TRANSMITTER BATTERY REPLACEMENT

Replacement battery - 12 volt alkaline lighter battery(Eveready A 23 or equivalent)

The transmitter battery can be checked or changed by opening the case using the drive.

Simply slide out the old battery and slide in the new, remembering to observe the battery polarity molded on the case in the bottom of the battery compartment.

Note that if the red L. E. D . on your transmitter fails to light, you most likely have a weak or dead battery and it should be replaced. (see diagram #1)

## OPERATIONAL CHECK

To check operation, move back a reasonable distance(about 50ft.)and press the transmitter button. Operation should be reliable at this distance but environment and location of both the transmitter and receiver will affect may be necessary to remove it from its mounting and hold near the windshield. Try different location and positions. If operation is still unsatisfactory, the problem may be isolated by:

1. Checking the door operator. If the door will not open when the wall button is pressed, the problem is likely to the operator. If the door will open by pressing the wall button, but not when the transmitter control button is pressed, the problem is probably in the transmitter.
2. Replacing the transmitter battery. If, after performing the above operational checks, the controls still do not function, they should be returned to your dealer for repair or replacement.

*Caution : Any changes or modifications in intentional or unintentional radiators which are not expressly approved by \_\_\_\_\_ could void the user's authority to operate this equipment. This applies to intentional and unintentional radiators certified per part 15 of the F. C. C. rules and regulations.*