

SDRX-43-BTF FCC Label

①

Model: SDRX-43-BTF

Tested To Comply with FCC Standards

FCC ID: N52-SDRX-43-BTF

IC ID : 6416A-SDRX43BTF

For In-Building Application

This device complies with part 15 of the FCC Rules. Operation is subject to the following two conditions:
(1) This device may not cause harmful interference, and (2) this device must accept any interference received, including interference that may cause undesired operation.



Advanced RF Technologies

3116 WEST VANOWEN ST,
BURBANK, CA91505

S/N: SDRX43BTF220001



②

WARNING.

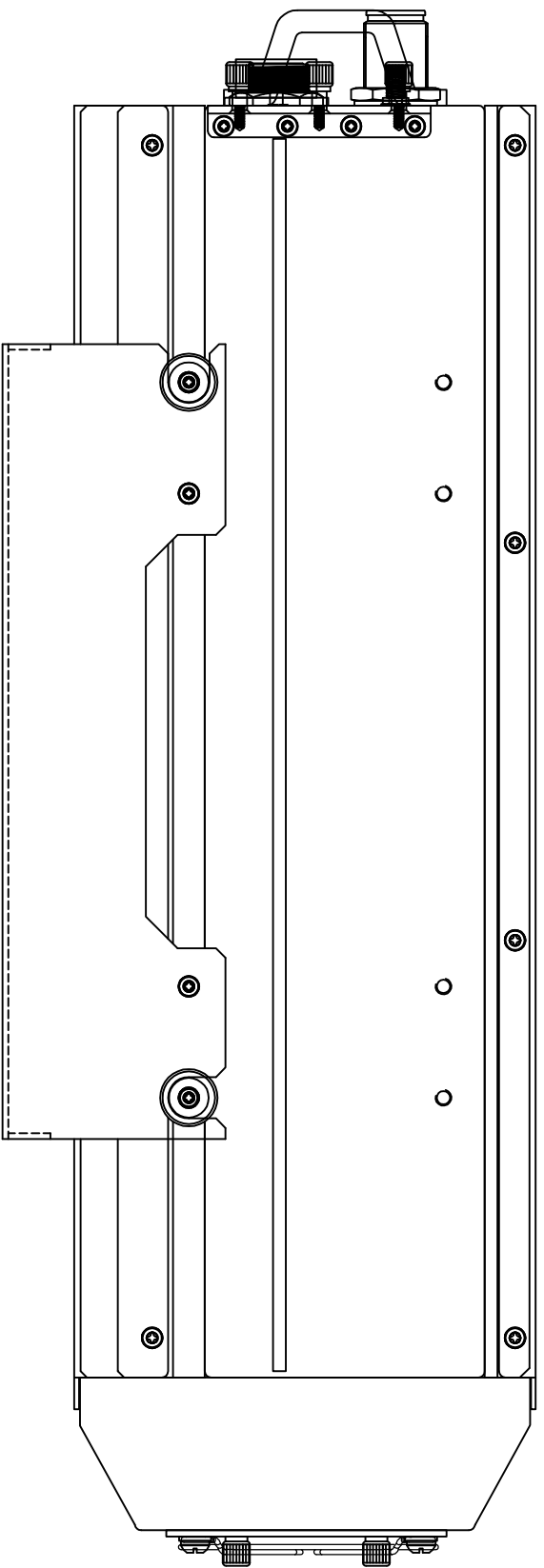
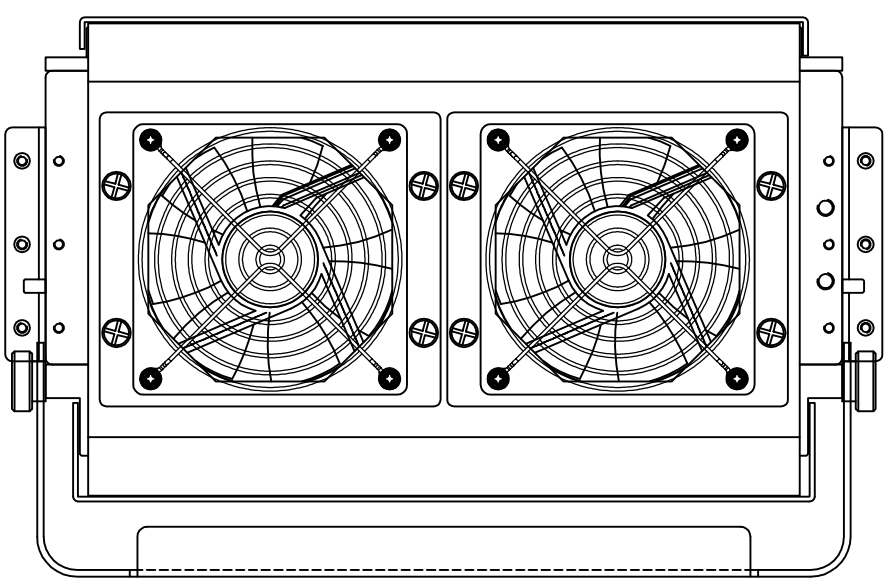
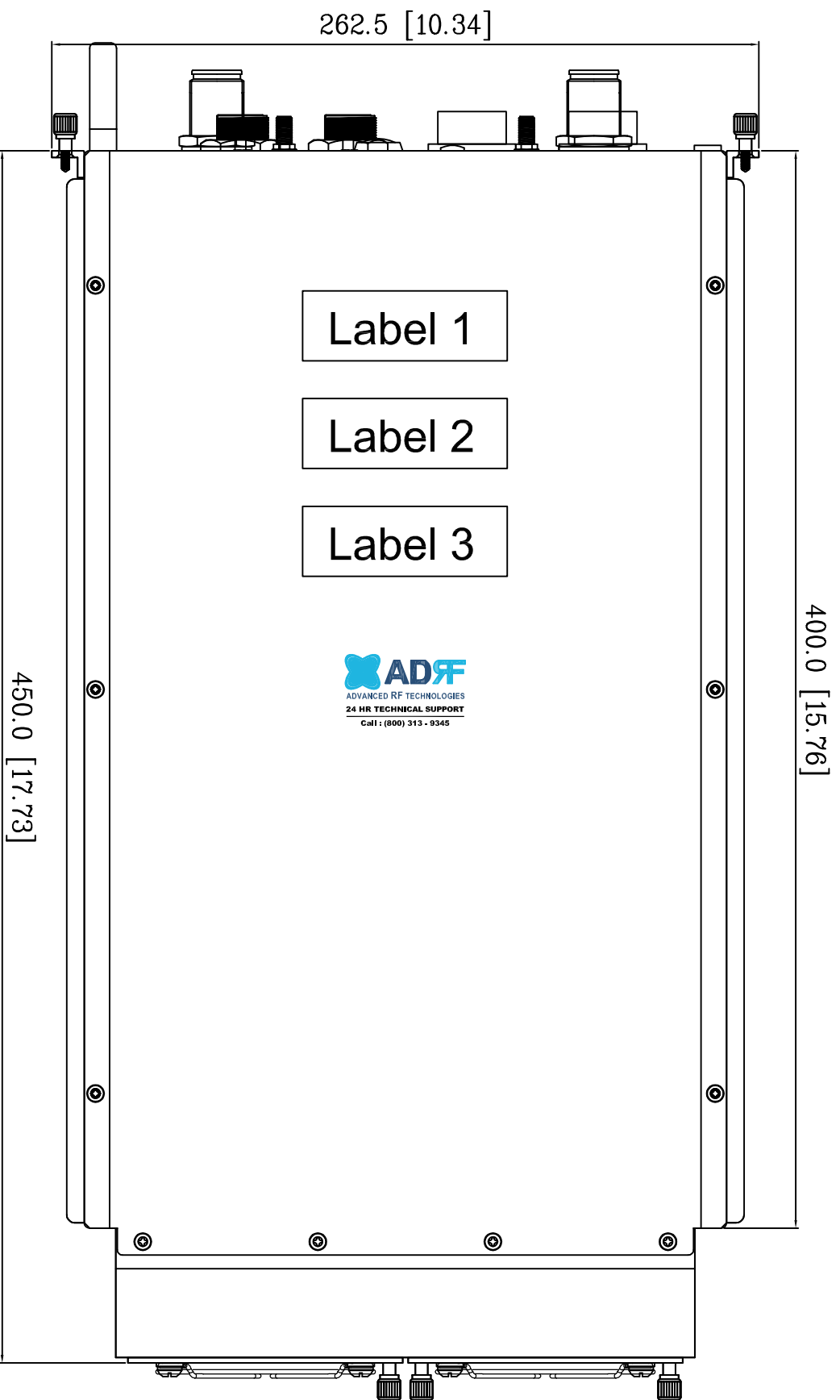
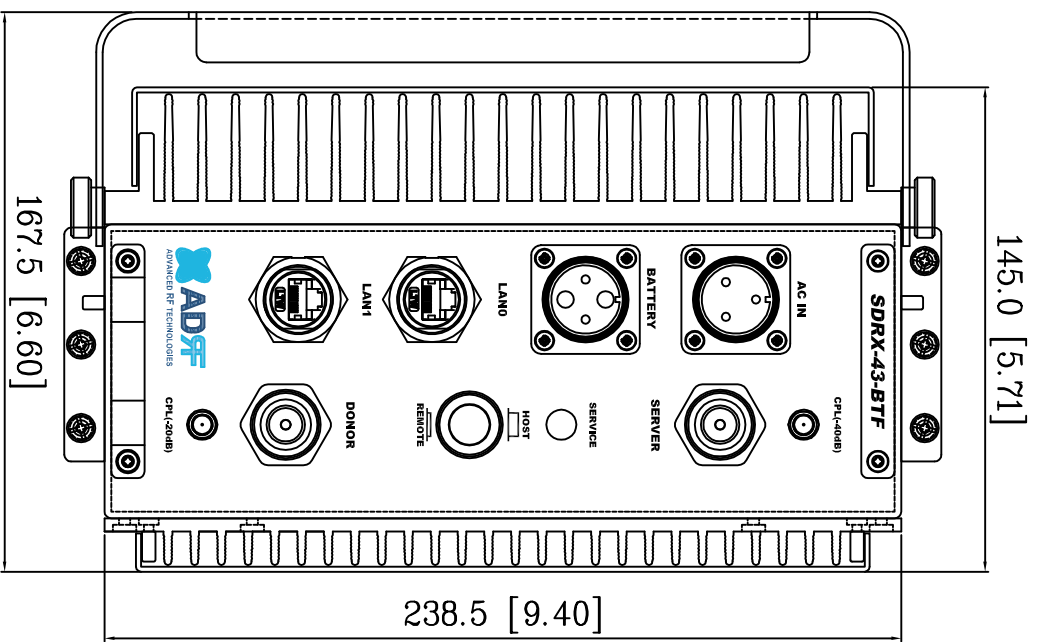
This is NOT a CONSUMER device. It is designed for installation by FCC LICENSEES and QUALIFIED INSTALLERS. You MUST have an FCC LICENSE or express consent of an FCC Licensee to operate this device. Unauthorized use may result in significant forfeiture penalties, including penalties in excess of \$100,000 for each continuing violation.

SDRX-43-BTF FCC Label

③

WARNING.

This is NOT a CONSUMER device. It is designed for installation by an installer approved by an ISED licensee. You MUST have an ISED LICENSE or the express consent of an ISED licensee to operate this device.



Units : mm / inch