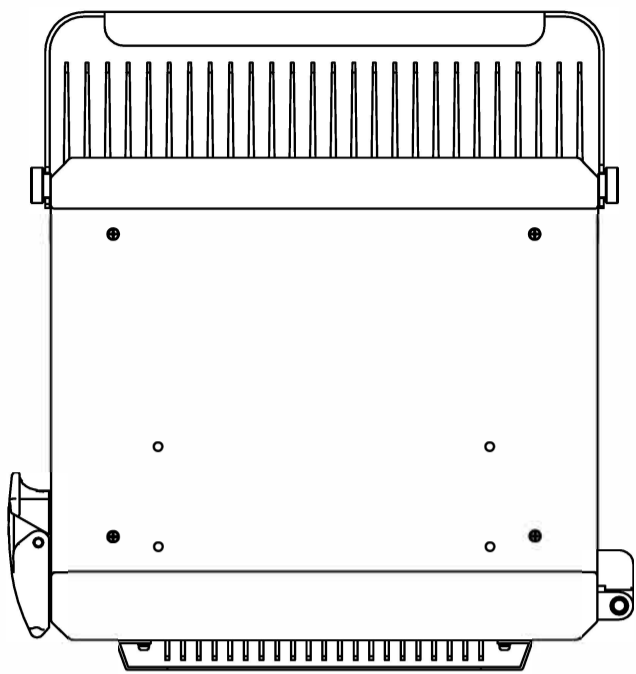
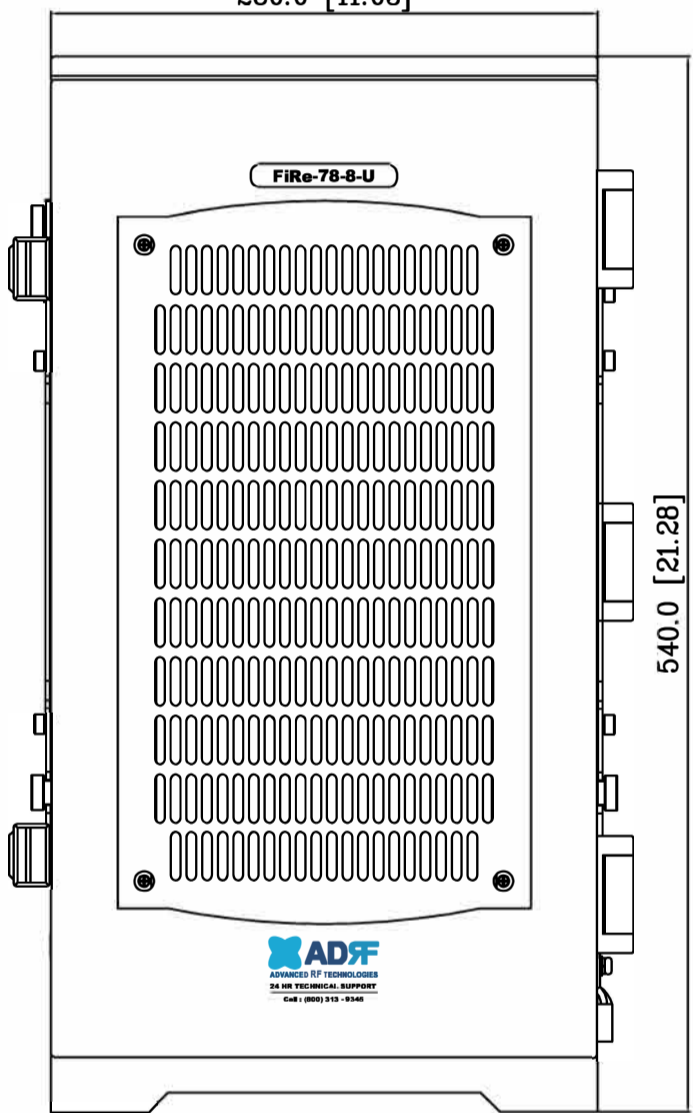
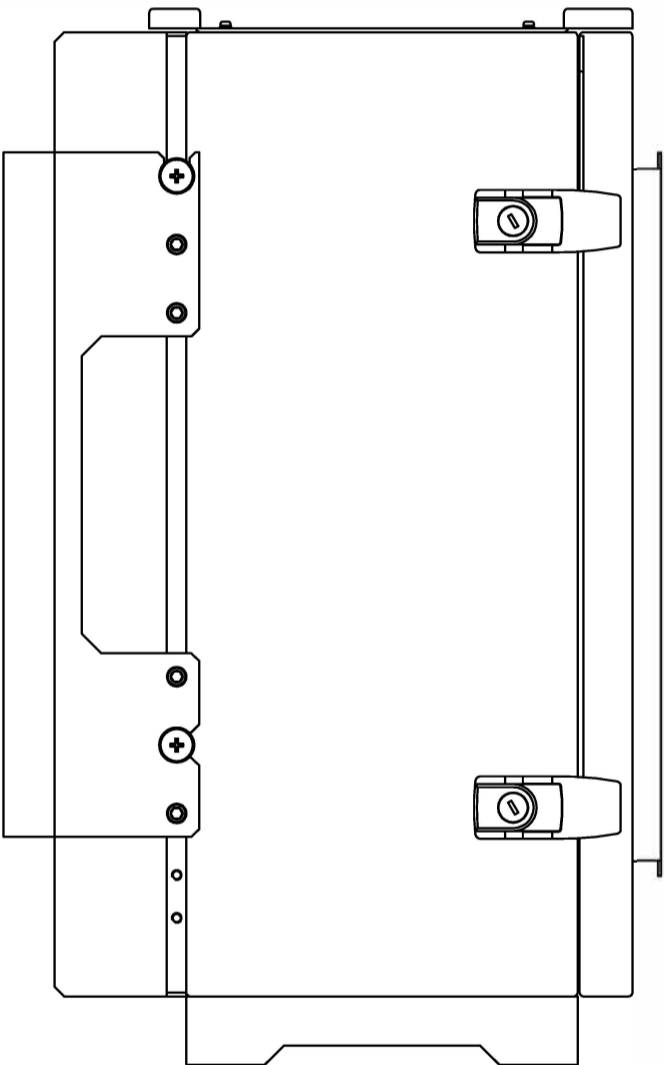


Model Name	U mm / inch
Units	

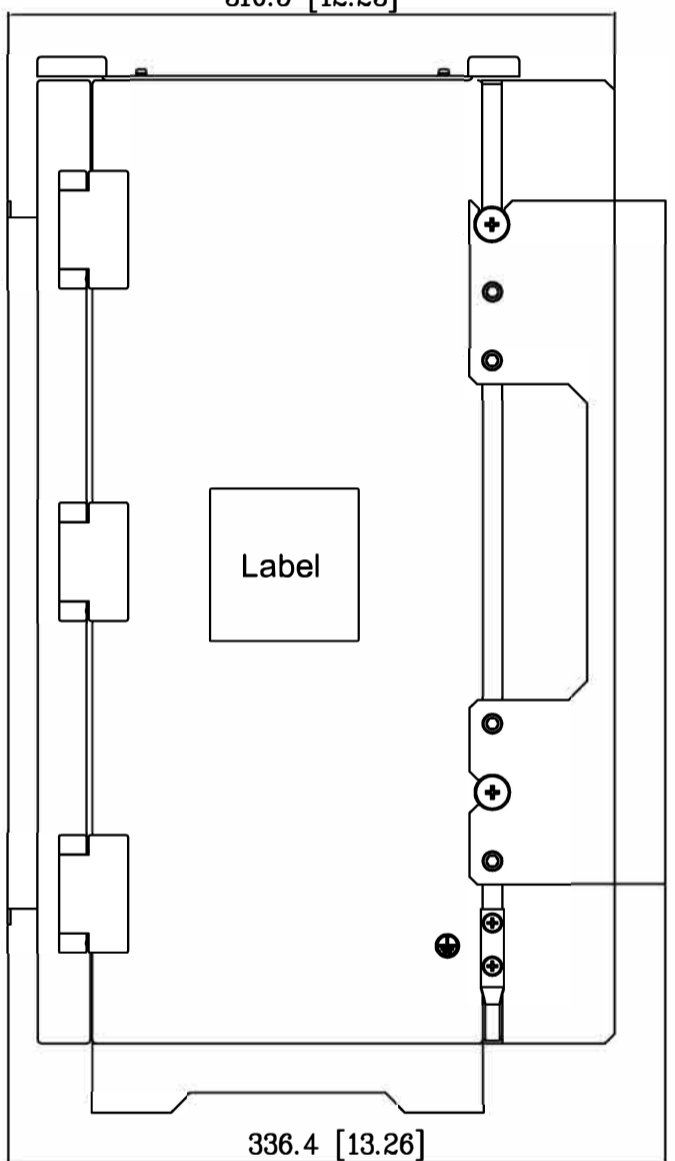


280.0 [11.03]

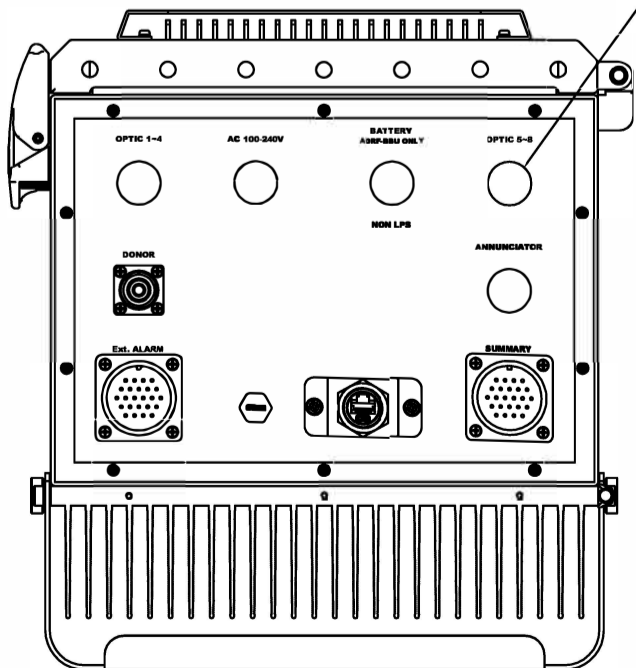
310.5 [12.23]



540.0 [21.28]



336.4 [13.26]



5-ø22.2mm [7/8]
Conduit Hole

Model: FIRE-78-8-UB

Tested To Comply with FCC Standards
FCC ID: N52-FIRE-78-8-UB IC : 6416A-FIRE788UB
For Outdoor Application

This device complies with part 15 of the FCC Rules. Operation is subject to the following two conditions:
(1) This device may not cause harmful interference, and (2) this device must accept any interference received, including interference that may cause undesired operation.



Advanced RF Technologies
3116 WEST VANOWEN ST,
BURBANK, CA91505

S/N: FIRE788U220001



Part 90 Signal Boosters THIS IS A 90.219 CLASS B DEVICE

WARNING. THIS is NOT a CONSUMER device. It is designed for installation by FCC LICENSEES and QUALIFIED INSTALLERS. You MUST have an FCC LICENSE or express consent of an FCC Licensee to operate this device. You MUST register Class B signal booster (as defined in 47 CFR 90.219) online at www.fcc.gov/signal-boosters/registration. Unauthorized use may result in significant forfeiture penalties, including penalties in excess \$100,000 for each continuing violation.

WARNING.

This is NOT a CONSUMER device. It is designed for installation by an installer approved by an ISED licensee. You MUST have an ISED LICENSE or the express consent of an ISED licensee to operate this device.