



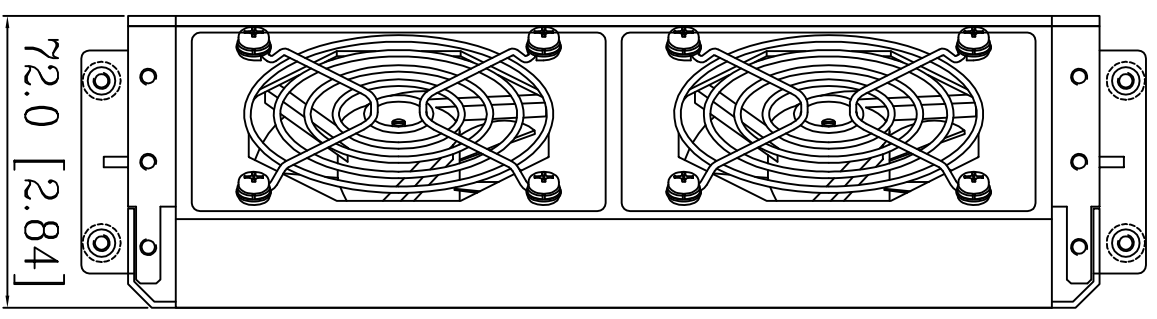
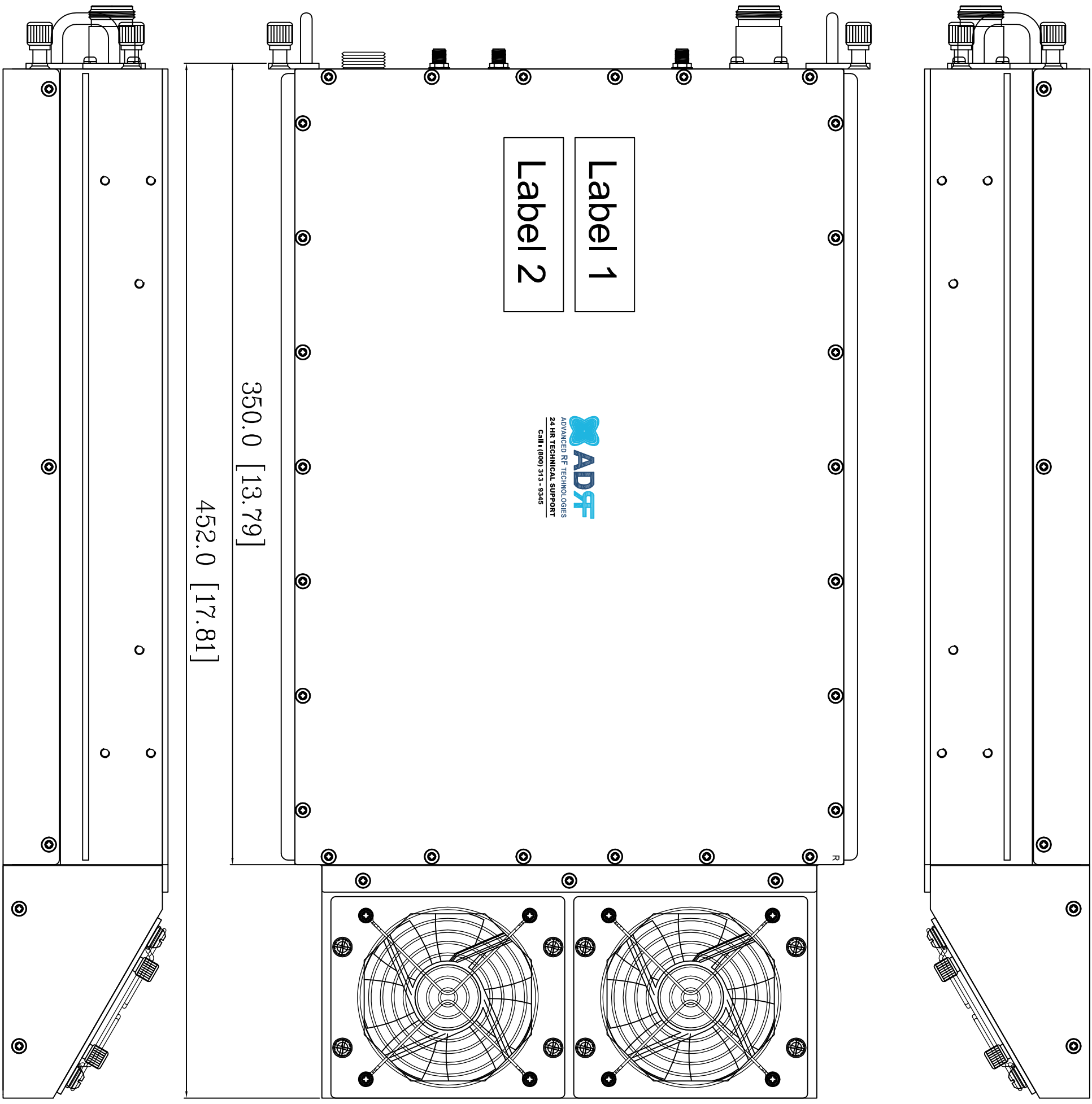
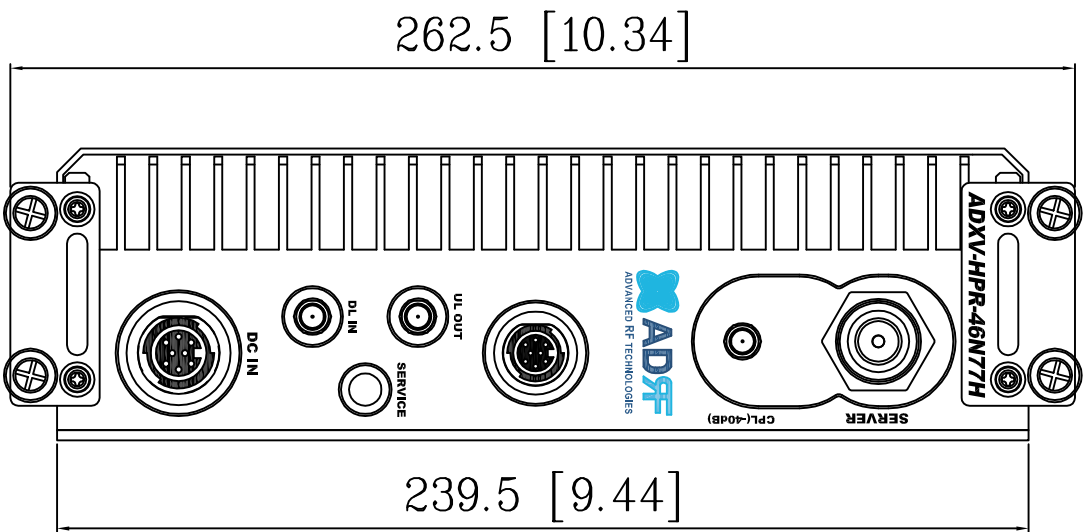
FCC Label

Label 1

MODEL NO: ADXV-HPR-46N77H	
<p>Tested To Comply with FCC Standards FCC ID : N52-ADXV-HPR-N77H For Outdoor Application This device complies with part 15 of the FCC Rules. Operation is subject to the following two conditions: (1) This device may not cause harmful interference, and (2) this device must accept any interference received, including interference that may cause undesired operation.</p>	
 Advanced RF Technologies 3116 WEST VANOWEN ST, BURBANK, CA91505	
S/N: ADXVHPR46N77H220000 	

Label 2

<p>WARNING.</p> <p>This is NOT a CONSUMER device. It is designed for installation by FCC LICENSEES and QUALIFIED INSTALLERS. You MUST have an FCC LICENSE or express consent of an FCC Licensee to operate this device. Unauthorized use may result in significant forfeiture penalties, including penalties in excess of \$100,000 for each continuing violation.</p>



Units : mm / inch