



ADXV-L-20PAWBT-P Label

Label 1

MODEL NO: ADXV-L-20PAWBT-P	
Tested To Comply with FCC Standards	
FCC ID : N52-ADL-PAWBTP	IC ID : 6416A-ADLPAWBT
For Outdoor Application	
This device complies with part 15 of the FCC Rules. Operation is subject to the following two conditions: (1) This device may not cause harmful interference, and (2) this device must accept any interference received, including interference that may cause undesired operation.	
 Advanced RF Technologies 3116 WEST VANOWEN ST, BURBANK, CA91505	
S/N: AVL20PAWBTPXX0000 	

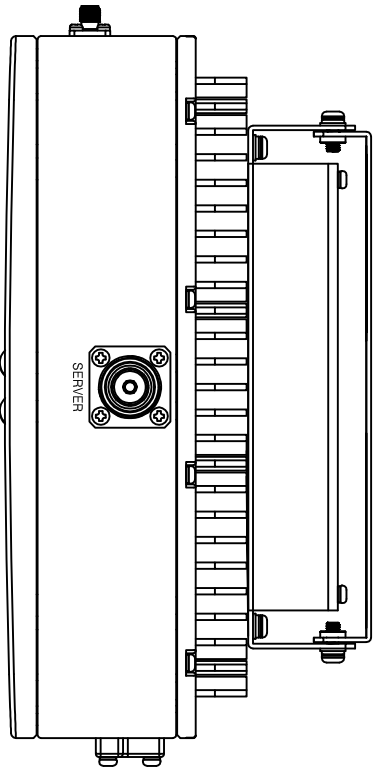
Label 2

WARNING. This is NOT a CONSUMER device. It is designed for installation by FCC LICENSEES and QUALIFIED INSTALLERS. You MUST have an FCC LICENSE or express consent of an FCC Licensee to operate this device. Unauthorized use may result in significant forfeiture penalties, including penalties in excess of \$100,000 for each continuing violation.
--

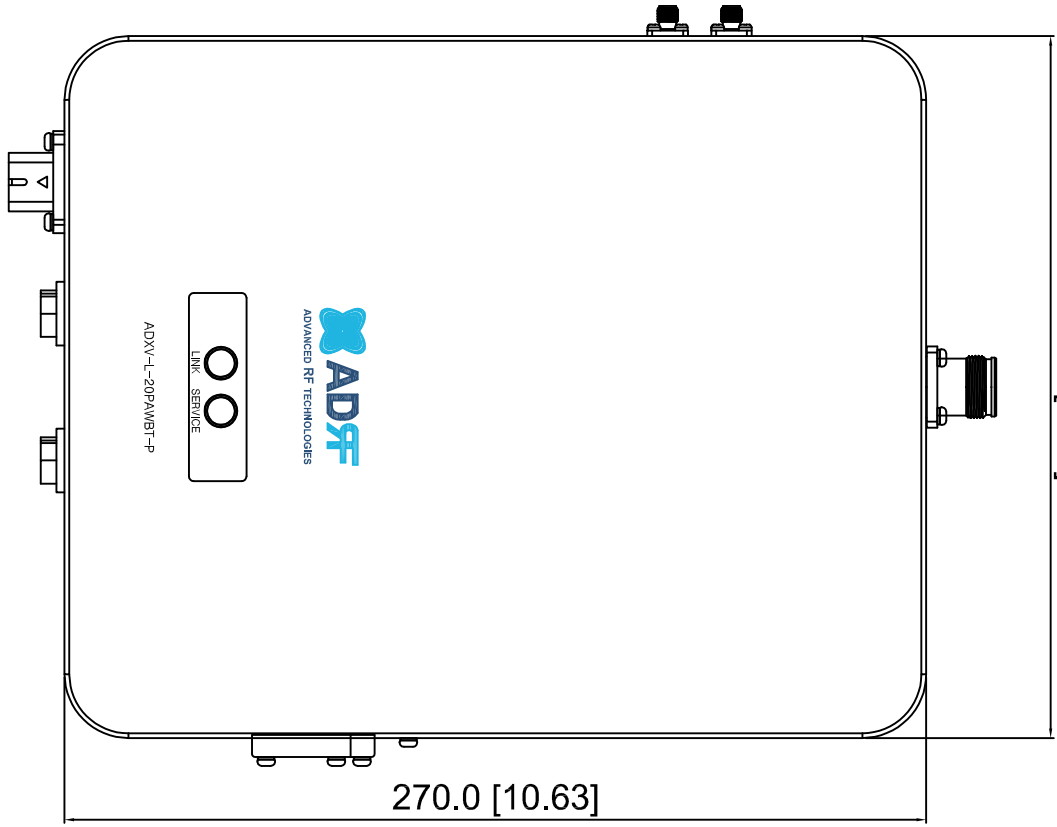
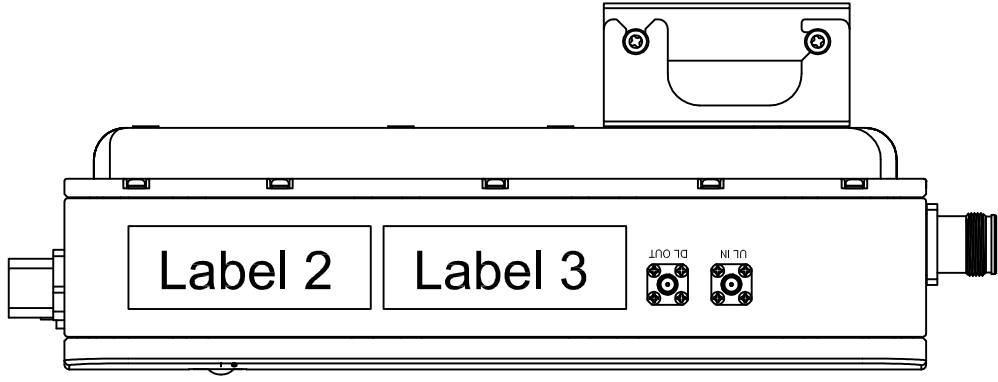
Label 3

WARNING. This is NOT a CONSUMER device. It is designed for installation by an installer approved by an ISED licensee. You MUST have an ISED LICENSE or the express consent of an ISED licensee to operate this device.
--

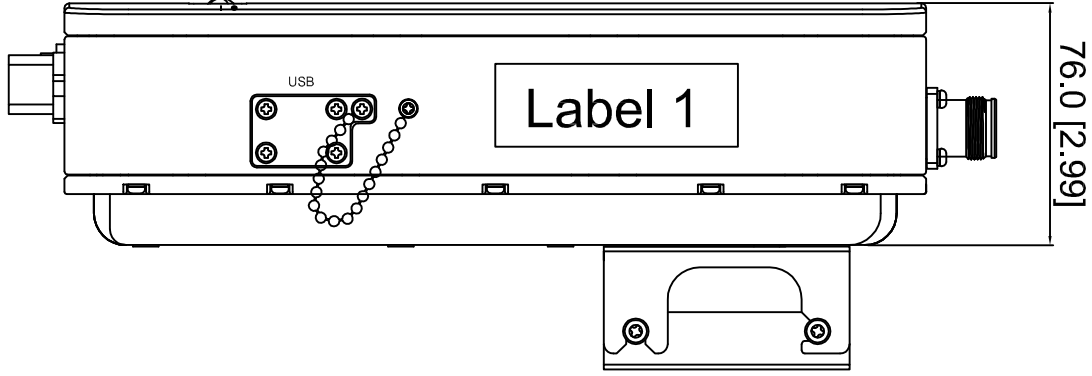
Model Name	ADXV-L-20PAWBT-P
Units	mm / inch



220.0 [8.67]



270.0 [10.63]



76.0 [2.99]

