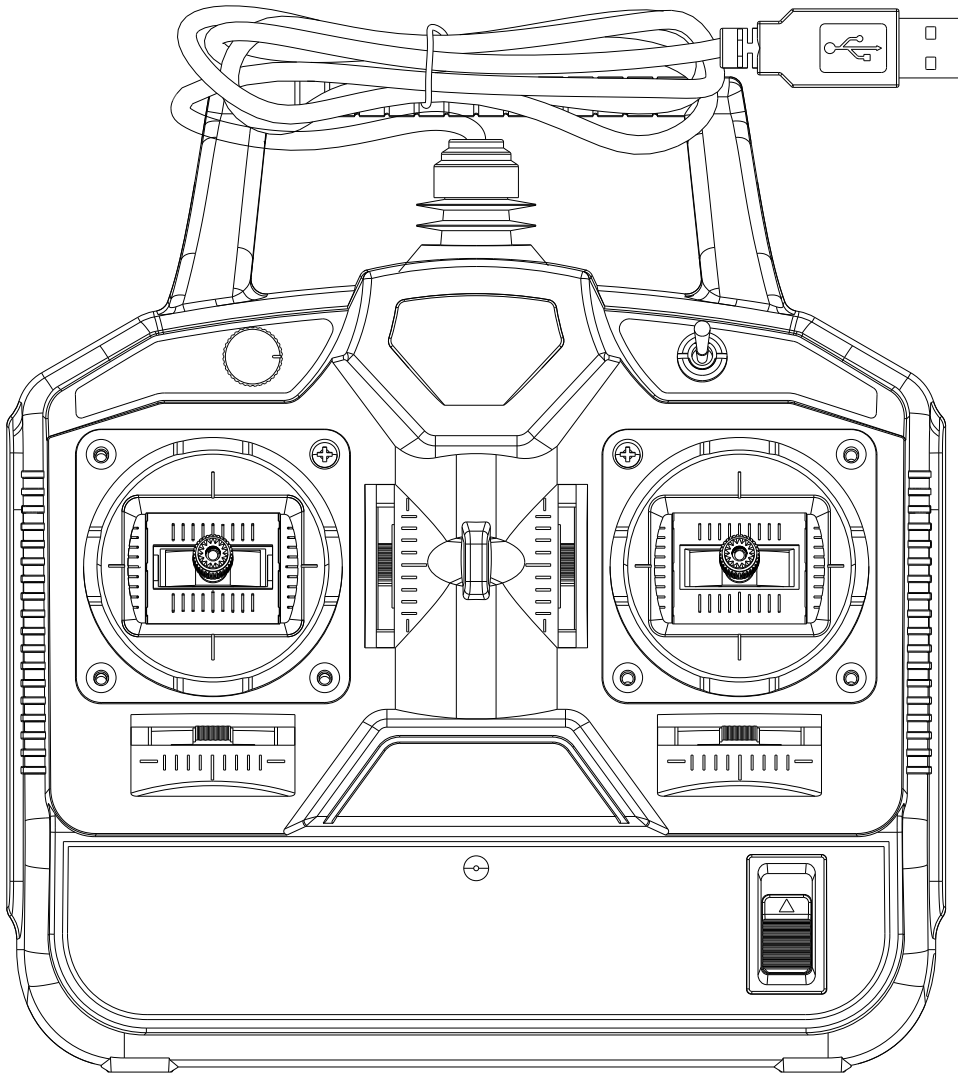


INSTRUCTION MANUAL



MODEL: FS-TM912

Digital proportional radio control system

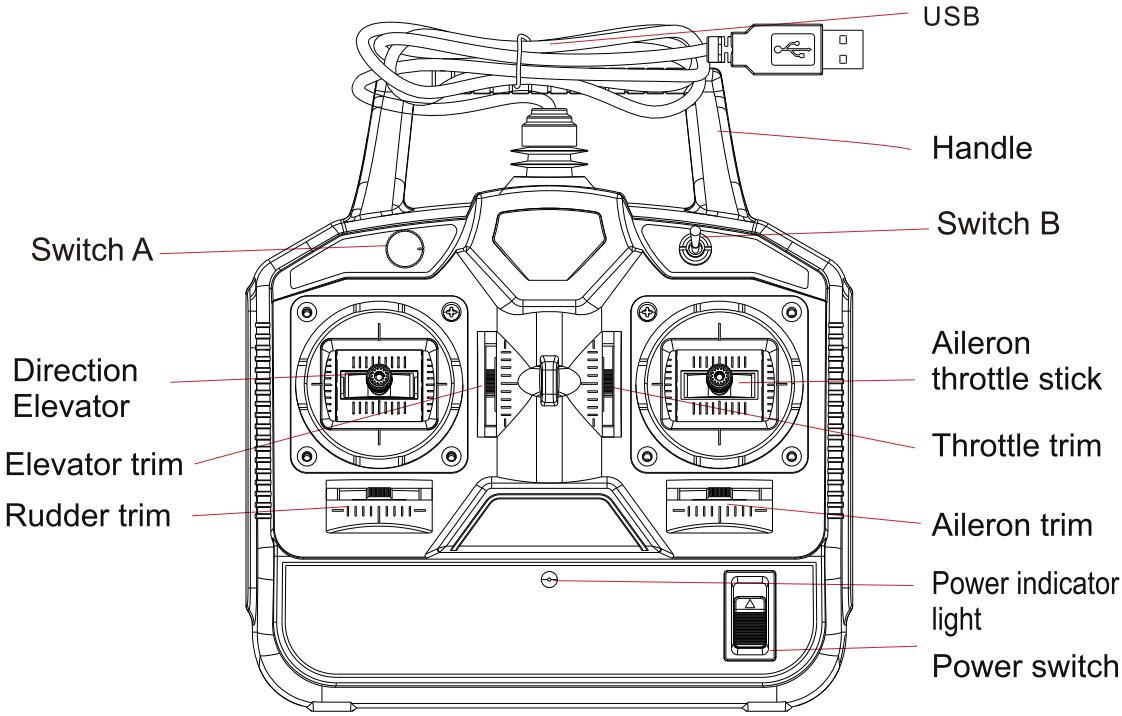
<http://www.flysky-cn.com>

Copyright©2013-2017
Flysky RC model technology Co., Ltd



WARNING:
This product is not suitable for children under 15 years.
警告：
本产品只适合15岁以上人员使用。

Eachpartofthetransmitter



Functional description

Channel control

This channel is for aileron control .

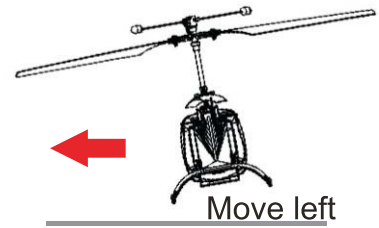
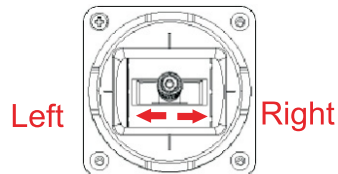


Figure1

If you move the transmitter stick to the left, The airplane will inclined to the left and the airplane move left.Figure.1

If you move the transmitter stick to the right, the airplane will inclined to the right and the airplane move right.Figure.2

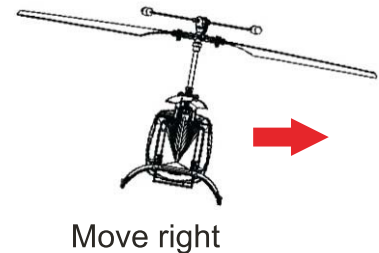


Figure2

Channel control

This channel is use for throttlecontrol.

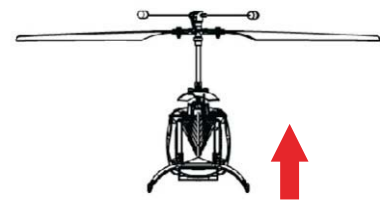
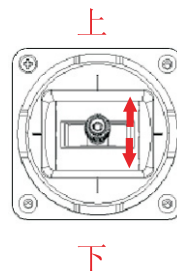


Figure3

If you move the transmitter stick upward the power of airplane will increase and the airplane rise.Figure.3

If you move the transmitter stick downward the power of airplane will decrease and the airplane drop.Figure.4

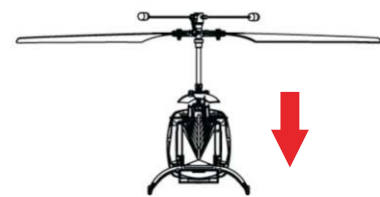
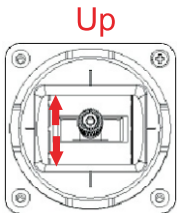


Figure4

Channel control

This channel is use for forward and backward control.



Down

If you move the transmitter stick upward, the airplane will move forward. Figure.1.

If you move the transmitter stick downward, the airplane will move backward. Figure.2.

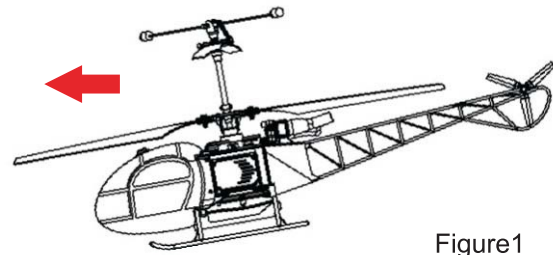


Figure1

Move forward

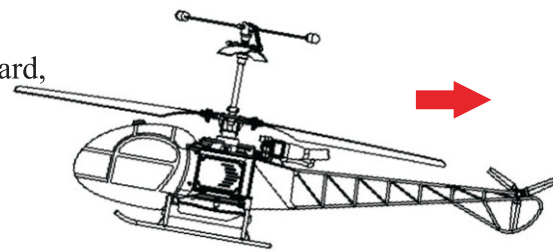
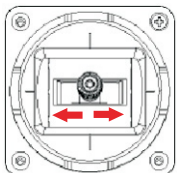


Figure2

Move backward

Channel control

This channel is use for left and right turning control.



Left Right

If you move the transmitter stick to the left, The airplane will turning to the left. Figure.3

If you move the transmitter stick to the right, The airplane will turning to the right. Figure.4

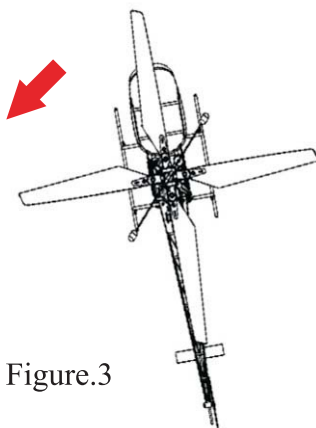


Figure.3

Left turning

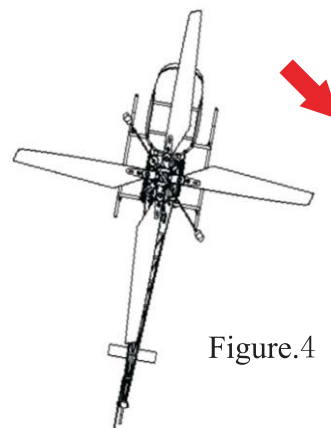


Figure.4

Right turning

FCC Statement 声明

FCC Statement

This equipment has been tested and found to comply with the limits for a Class B digital device pursuant to part 15 of the FCC rules. These limits are designed to provide reasonable protection against harmful interference in a residential installation. This equipment generates, uses and can radiate radio frequency energy and, if not installed and used in accordance with the instructions, may cause harmful interference to radio communications. However, there is no guarantee that interference will not occur in a particular installation. If this equipment does cause harmful interference to radio or television reception, which can be determined by turning the equipment off and on, the user is encouraged to try to correct the interference by one or more of the following measures:

- Reorient or relocate the receiving antenna.
- Increase the separation between the equipment and receiver.
- Connect the equipment into an outlet on a circuit different from that to which the receiver is connected.
- Consult the dealer or an experienced radio/TV technician for help.

To assure continued compliance, any changes or modifications not expressly approved by the party responsible for compliance could void the user's authority to operate this equipment. (Example use only shielded interface cables when connecting to computer or peripheral devices).

This equipment complies with Part 15 of the FCC Rules. Operation is subject to the following two conditions:

- (1) This device may not cause harmful interference, and
- (2) This device must accept any interference received, including interference that may cause undesired operation.

Caution!

The manufacturer is not responsible for any radio or TV interference caused by unauthorized modifications to this equipment. Such modifications could void the user authority to operate the equipment.



<http://www.flysky-cn.com>

Copyright©2013-2017
Flysky RC model technology Co., Ltd