

10.2.4G OPERATION NOTES

10.01 Matching (code)

Our products are well matched in the factory, you do not need to match by yourself. But if your are going to match the receiver with other transmitter, or you need to change a new receiver or transmitter, please follow the following steps:

- A. Install the battery to 2.4G transmitter and shut it down.
- B. Insert the matching lines to the channel BIND / CH3 port of the receiver. (Figure.1)。
- C. Connect the receiver battery to VCC port of the receiver, on the same time the two LED are flashing and this means the receiver are going to the matching status.
- D. Press and hold the button on the transmitter, and then switch on the power supply.
- E. Observe the LED on the receiver, if find that the LED is not flash anymore and that means successful Matched. (This process about 5s)
- F. Release the match button on the transmitter, take out the match line.
- G. Install the server and then test.
- H. If the tests fail, please repeat the action above.
- I. If the tests success, then insert the power supply port into VCC, match complete.
(The above ways of match is only suitable for FLYSKY 2.4G products)

我们的产品出厂前已经过配对，您无需做配对动作便可使用。但如果您要将接收机跟另外的发射机进行配对使用，或者您要更换新的接收机或者发射机，请您按如下的步聚进行：

注：我们的接收发射系统，不跟其它品牌兼容！

- 1.将2.4G发射机装好电池，并关闭发射机。
 - 2.将配对线插入接收机的BIND/CH3通道接口（如图1）。
 - 3.将接收机电池插入接收机的VCC通道接口，此时可看到接收机的LED在闪烁，此表示接收机进入配对状态。
 - 4.将发射机上的配对键(BIND)按住，然后打开发射机电源开关。（注：不要松开按键）。
 - 5.观察接收机上的LED，如果发现LED不再闪烁表示配对成功。（注：此过程大约时间为5S左右）。
 - 6.松开发射机上的配对按键，拔掉接收机上的配对线。
 - 7.将伺服器装上并通电测试。
 - 8.如果测试NG，则重复以上动作。
 - 9.如果测试OK，则将电源接头插入VCC，配对完成。
- 注：以上配对方法，仅适合于FLYSKY的2.4G产品。

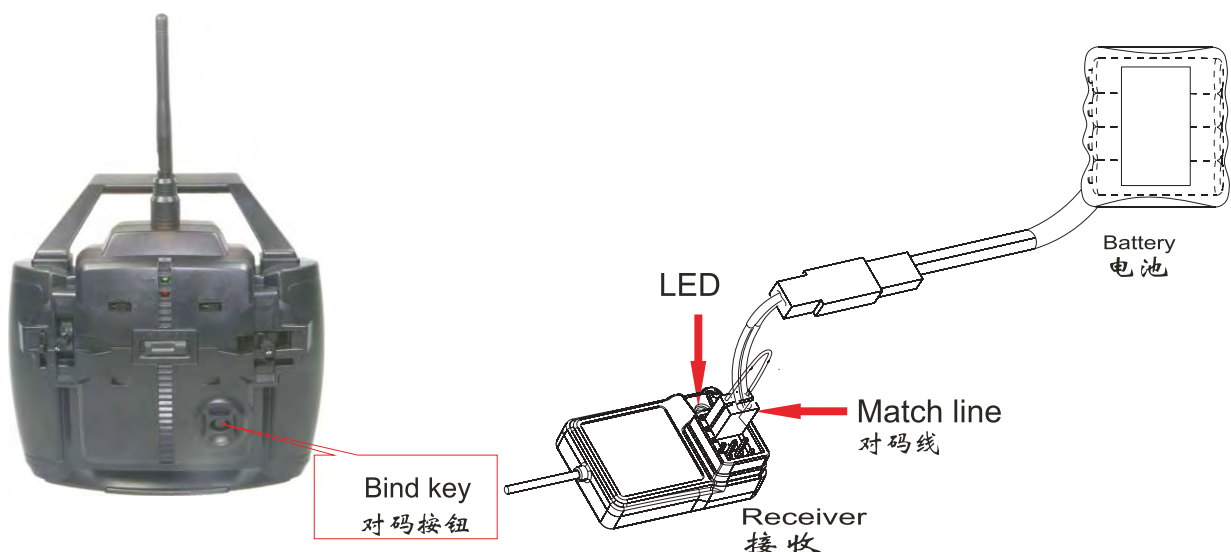


Figure 1 (图1)

10. 02 Power on:

- A. Connect every part.
- B. Switch on the power supply of the transmitter.
- C. Connect the power supply of the receiver.
- D. Receive LED light solid.
- E. Finish and use.

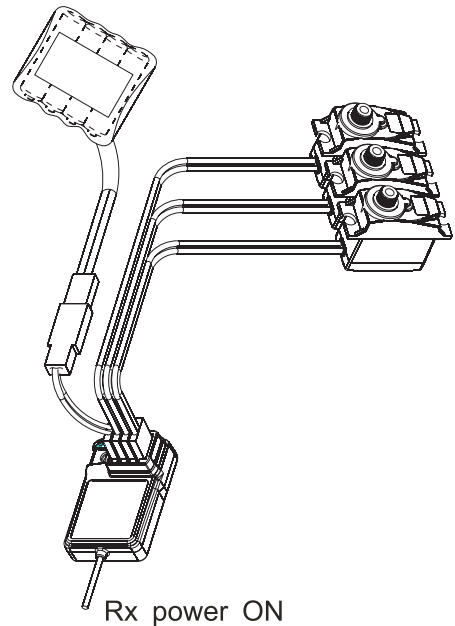
- 1.将各部件连接好;
- 2.打开发射机电源开关;
- 3.连通接收机电源;
- 4.接收机LED恒亮;
- 5.使用.



Tx power ON



Power on

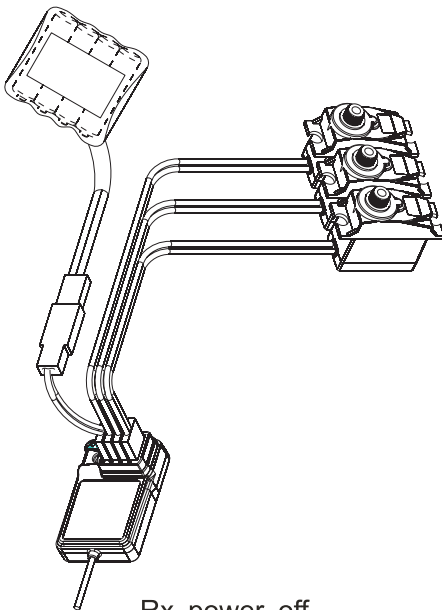


Rx power ON

10. 03 Shut down:

- A. Cut off the receiver power supply.
- B. Cut off the transmitter power supply.

- 1.关闭接收机的电源;
- 2.关闭发射机的电源.



Rx power off



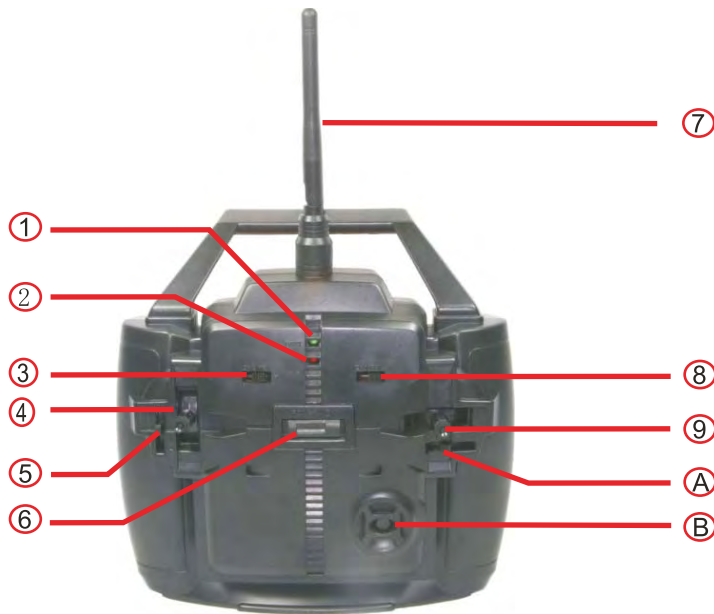
Shut down



Tx power off

II. EACH PART OF THE TRANSMITTER

FRON



- | | |
|---------------|-------------|
| ① POWER CHECK | ② POWER LED |
| ③ CH2 REV | ④ CH2 STICK |
| ⑤ CH2 TRIM | ⑥ POWER SW |
| ⑦ 2.4G ANT | ⑧ CH1 REV |
| ⑨ CH1 STICK | Ⓐ CH1 TRIM |
| Ⓑ BIND | |

SIDE



CHARGER

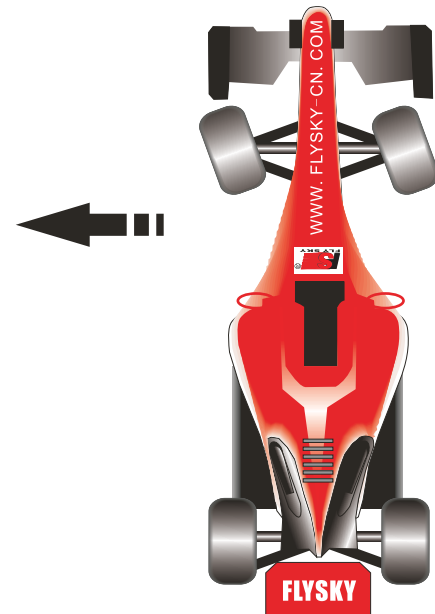
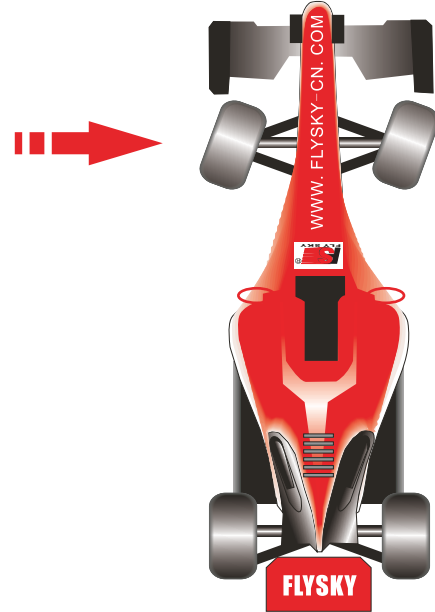
BACK



BAT BOX

12. TRANSMITTER FUNCTION NOTES

12.01 方向舵控制:



功能说明:

此功能是用来进行方向控制, 当方向舵往右旋转时车子前轮会跟着往右 (如图), 当方向舵往左旋转时车子前轮会跟着往左 (如图)。

操作方法:

开机后, 通过方向舵进行方向控制, 方向舵动作大小依据实际情况进行比率调整. 方向舵大小动作量可通过D/R进行大小舵量的调整。

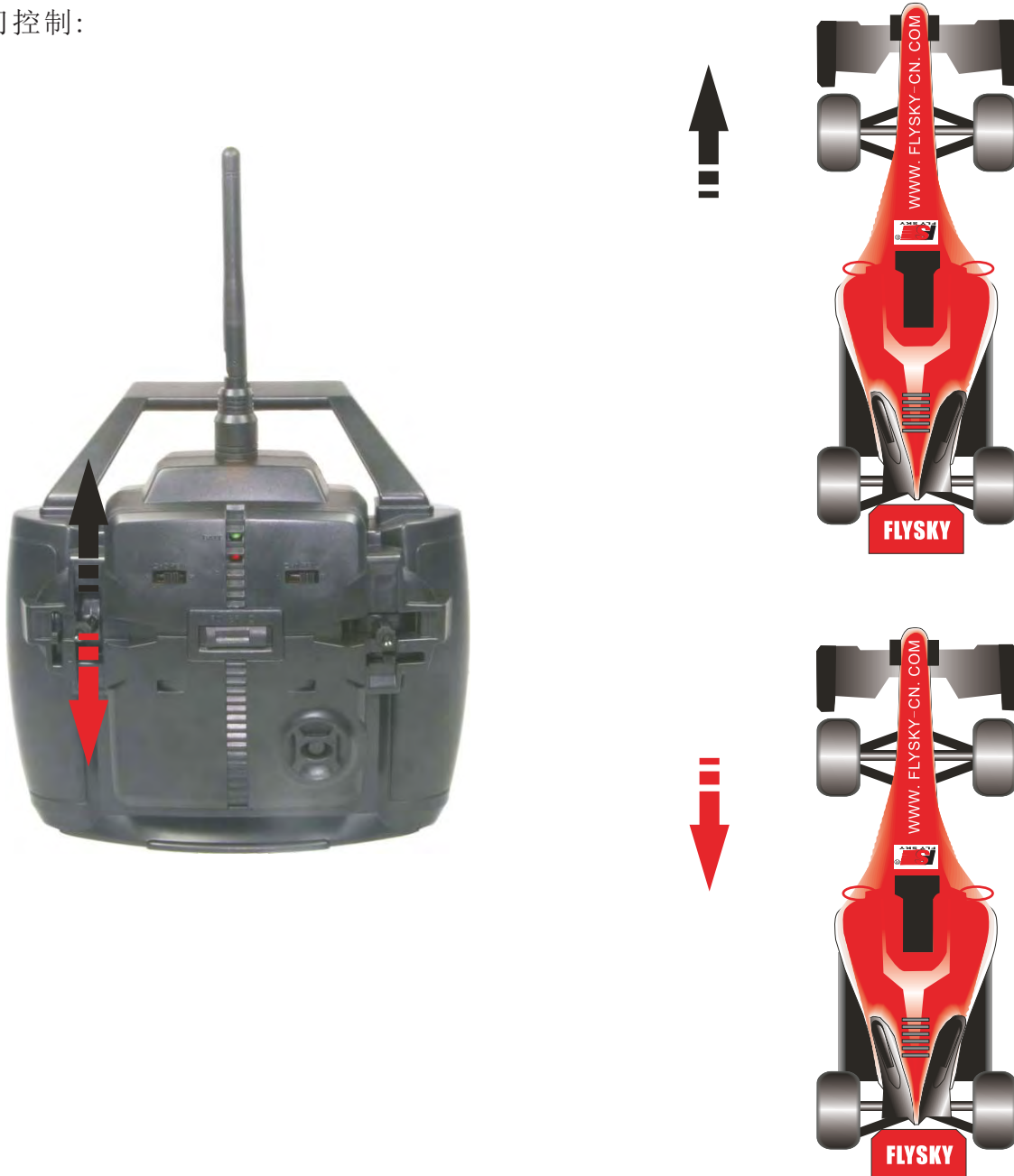
Function Introduction:

This function is to control the direction, when the steering turn to right then the front wheel will turn to right (as picture), when the steering turn to left then the front wheel will turn to left (as picture).

Operation Method:

Adjust the dual rate of the steering by adjusting the D/R knob.

12. 02油门控制:



功能说明:

此功能是用来进行油门(速度)控制,当油门扣机往后打时车子会向前加速(如图),当油门扣机往前推时车子会进行刹车或加速后退(依据不同的调速器)(如图)。

操作方法:

开机后,通过油门扣机进行前后运行的控制。

Function Introduction:

This function is to control the throttle speed, when pull the throttle trigger back, car will accelerate forward (see the picture), when push the throttle trigger, the car will put on the brakes or double ring astern (according to the different ESC) (see the picture).

Operation Method:

To control it by pushing and pulling back the throttle trigger after power on.

13. FAIL SAFE FUNCTION

失控保护功能说明

1. 功能说明

失控保护功能是对模型车或船进行失控保护，避免因失控造成损失。主要是对油门通道进行控制，当接收机接收不到控制信号时，接收机的油门通道将自运行到当初设定的值，以免误动作。

2. 设定方法

- 将发射机开通电源进入工作状态。
- 将接收机接通电源进入工作状态，此时信号灯恒亮。
- 控制发射机的油门通道，使油门控制伺服器或调速器进入刹车或熄火状态，然后保持不动。
- 此时将接收机的设定键（如图按下），此时接收机LED信号灯会闪烁，并在3秒左右停止。
- 设定完成。

3. 测试

- 将发射机打开进入工作状态。
- 将接收机接通电源进入工作状态。
- 将发射机关闭电源。
- 此时可看到油门通道的伺服器便会自动进入设定状态的位置
- 以上动作如果可以完成表示设定OK

FAIL SAFE FUNCTION

1. Function

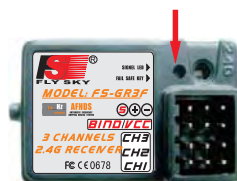
Failsafe aims to prevent out-of-control driving of RC Car or RC Boat. If the Receiver is not able to receive any signal, from the control to Throttle, the parameter of Throttle on Receiver will turn back to its original setting.

2. Setting

- Turn on the Transmitter switch;
- Turn on the Receiver switch, the LED will be lighting;
- Adjust Transmitter's Throttle, make the car/boat to stop or flameout, then keep still.
- Press the "Setting" button on Receiver (as the pic below), the LED will be flashing, then stop after 3seconds around, which means setting finished.

3. Testing

- Turn on the Transmitter switch;
- Turn on the Receiver switch;
- Turn off the Transmitter switch;
- Servo of Throttle will turn back to its original setting automatically;
- Setting is successful if above procedures finished completely.



14.SIMULATE

Function introduction:

this function is for the virtual RC racing through the computer, you can practice the racing from the computer.

Operation method:

1. Please put the simulator cable-FS-SM101, which is provided by Flysky, into the USB interface of computer. Put the other side into the CH1 and CH2 of receiver (pls refering to the figure, put the 3 pins into CH1 and 1 pin into Ch2).
2. turn on the transmitter.
3. open the vrc software.
4. follow the on-screen instruction to set.

Remark:

the VRC software we provided is free which is offer only one basic track and training ground. if you need any other track, please contact VRC company, thank you!

功能说明:

此功能用于电脑模拟，而可通过电脑进行练习，及进行电脑模拟比赛。

操作方法:

1. 将本公司提供的电脑模拟连接器（FS-SM101）一端插入电脑的USB接口，另一端插入接收机的CH1和CH2通道(如图三跟线的插CH1通道，单跟线的插入CH2通道)。
2. 打开发射机电源。
3. 启动VRC车模应用软件。
4. 按软件要求进行设定完成后便可进行电脑模拟了。

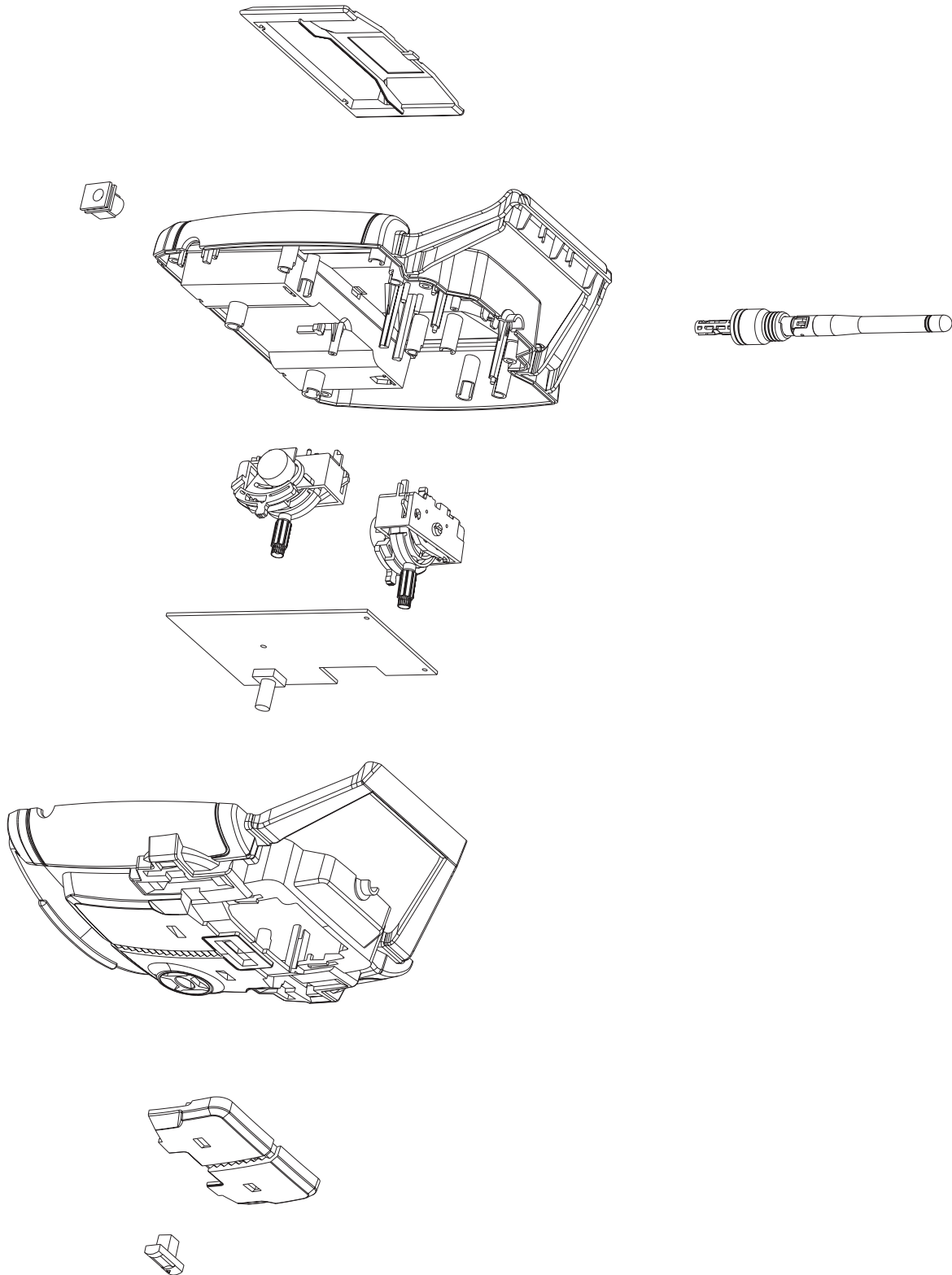
备注:

本公司提供的是VRC公司提供的免费软件，此软件只提供一条基本赛道和一个训练场。如需其它赛道请跟VRC公司联系。谢！



TO COMPUTER USB PORT
MODEL NO: FS-SM101

15. EXPLODED DRIVING



16. PACKAGING WITH CONTENT LIST

NO:	Model	Sum	Remarks
1	2 channel 2.4G transmitter (FS-T2A) 2通2.4G发射	1	
2	3channel 2.4G receiver (FS-GR3C) 3通2.4G接收	1	
3	MANUAL 说明书	1	CD
4	Charger 充电器	1	Optional 可选的
5	Servo (FS-S009) 伺服器	2	Optional 可选的
6	FS-SM101 车模	1	Optional 可选的



Digital propotional radio control system



**[Http://www.flysky-cn.com](http://www.flysky-cn.com)
Copy right 2008@flysky co., ltd**

FCC Statement

This equipment has been tested and found to comply with the limits for a Class B digital device, pursuant to part 15 of the FCC Rules. These limits are designed to provide reasonable protection against harmful interference in a residential installation. This equipment generates, uses and can radiate radio frequency energy and, if not installed and used in accordance with the instructions, may cause harmful interference to radio communications. However, there is no guarantee that interference will not occur in a particular installation. If this equipment does cause harmful interference to radio or television reception, which can be determined by turning the equipment off and on, the user is encouraged to try to correct the interference by one or more of the following measures:

- Reorient or relocate the receiving antenna.
- Increase the separation between the equipment and receiver.
- Connect the equipment into an outlet on a circuit different from that to which the receiver is connected.
- Consult the dealer or an experienced radio/TV technician for help.

This equipment complies with FCC RF radiation exposure limits set forth for an uncontrolled environment. This transmitter must not be co-located or operating in conjunction with any other or transmitter. This equipment should be installed and operated with a minimum distance of 20 centimeters between the radiator and your body.

Operation is subject to the following two conditions:

- (1) this device may not cause harmful interference, and
- (2) this device must accept any interference received, including interference that may cause undesired operation.

Caution!

The manufacturer is not responsible for any radio or TV interference caused by unauthorized modifications to this equipment. Such modifications could void the user authority to operate the equipment.