

10. 02 Power on:

- A. Connect every part.
- B. Switch on the power supply of the transmitter.
- C. Connect the power supply of the receiver.
- D. Receive LED light solid.
- E. Finish and use.

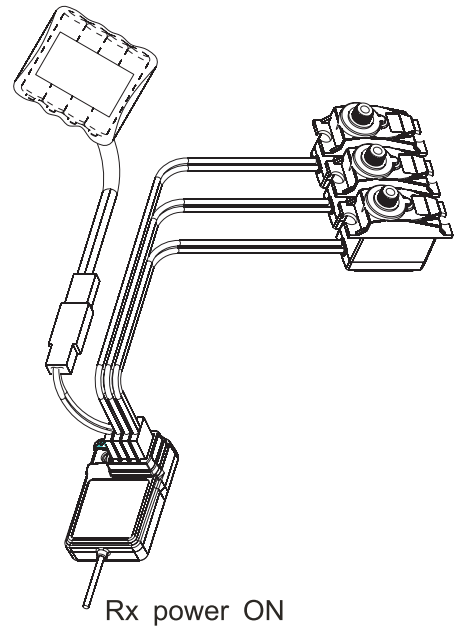
- 1.将各部件连接好;
- 2.打开发射机电源开关;
- 3.连通接收机电源;
- 4.接收机LED恒亮;
- 5.使用.



Tx power ON



Power on

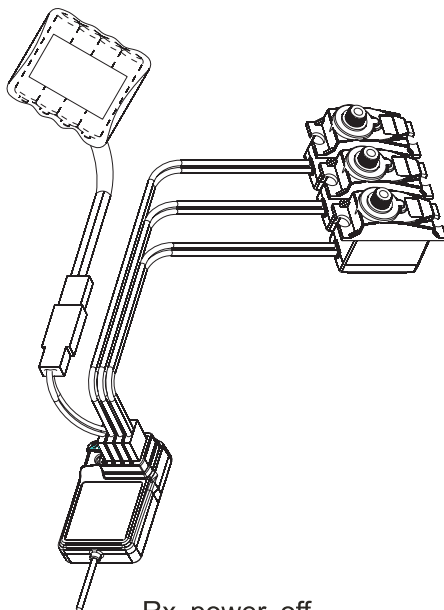


Rx power ON

10. 03 Shut down:

- A. Cut off the receiver power supply.
- B. Cut off the transmitter power supply.

- 1.关闭接收机的电源;
- 2.关闭发射机的电源.



Rx power off



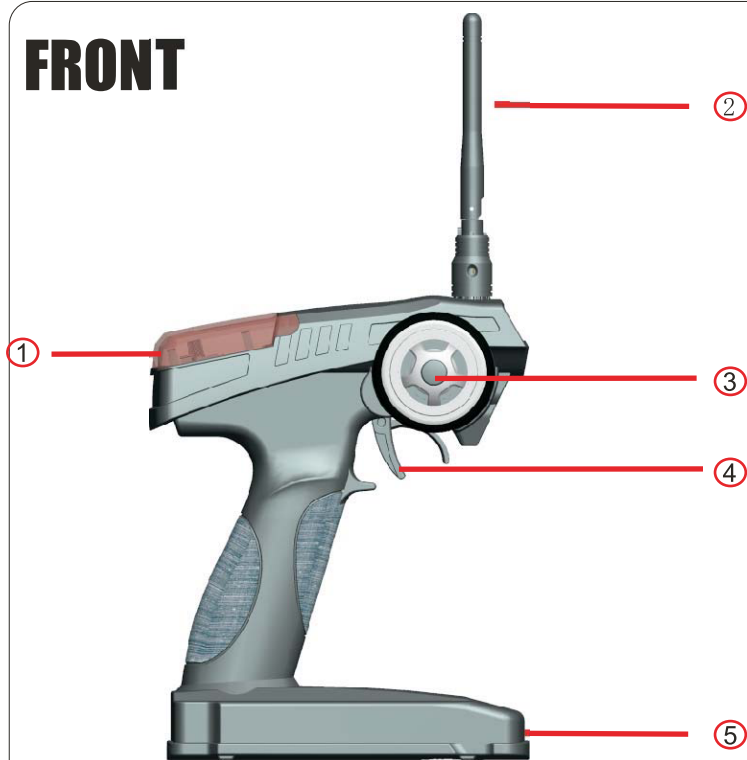
Shut down



Tx power off

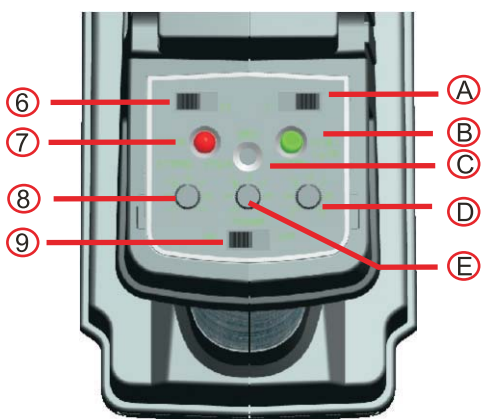
II. EACH PART OF THE TRANSMITTER

FRONT



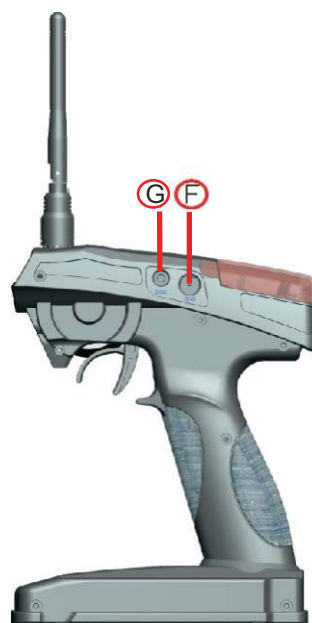
- ① CONTROL BOX
- ② 2.4G ANT
- ③ STEERING WHEEL
- ④ THROTTLE TRIGGER
- ⑤ BAT BOX

SIDE



- ⑥ ST REV
- ⑦ POWER LED
- ⑧ ST TRIM
- ⑨ POWER SW
- A TH REV
- B POWER CHECK
- C BIND
- D D/R
- E TH TRIM

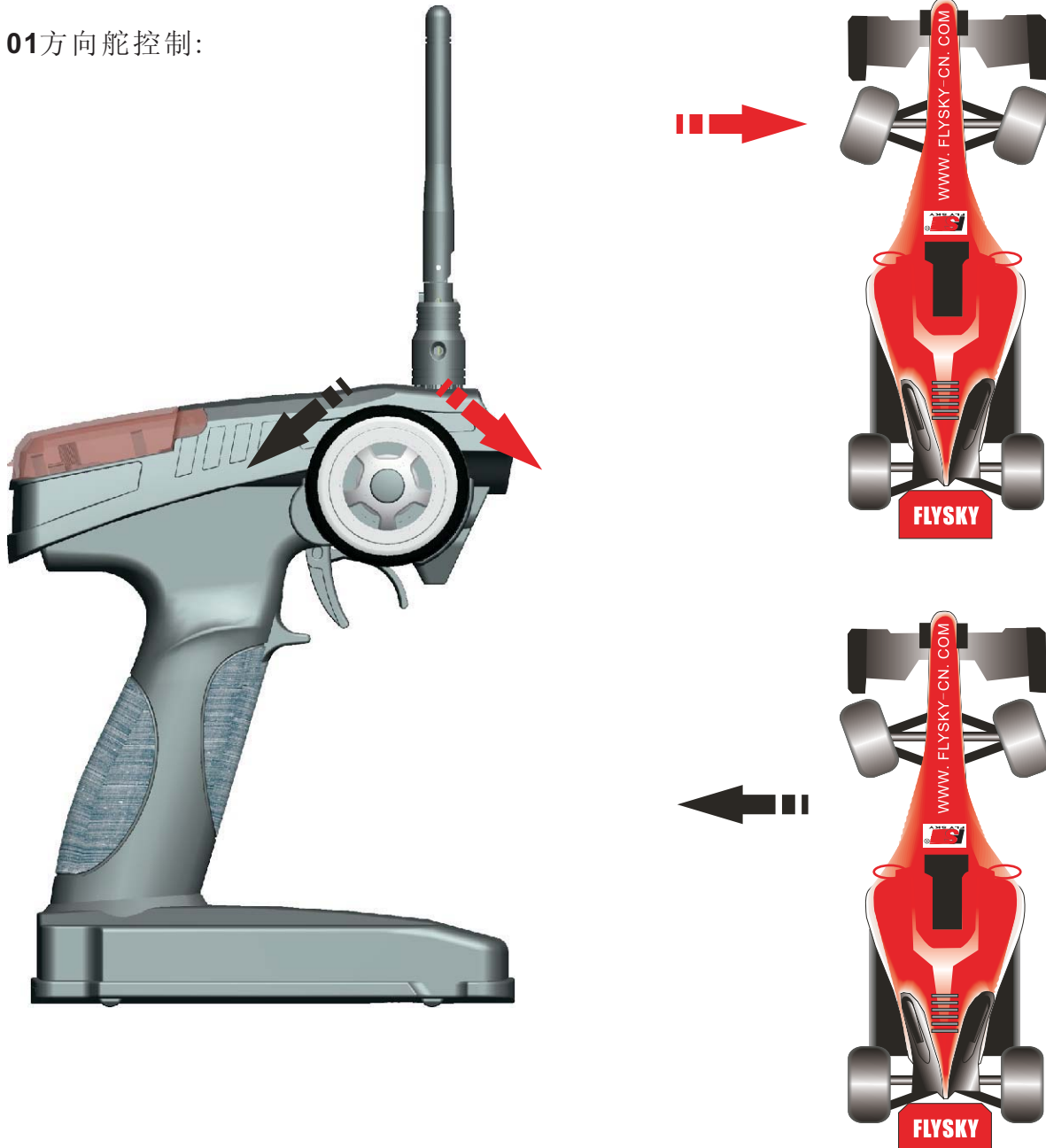
BACK



- F CHARGER
- G DSC FOR SIMULATE

12. TRANSMITTER FUNCTION NOTES

12.01 方向舵控制:



功能说明:

此功能是用来进行方向控制，当方向舵往右旋转时车子前轮会跟着往右（如图），当方向舵往左旋转时车子前轮会跟着往左（如图）。

操作方法:

开机后，通过方向舵进行方向控制，方向舵动作大小依据实际情况进行比率调整。方向舵大小动作量可通过D/R进行大小舵量的调整。

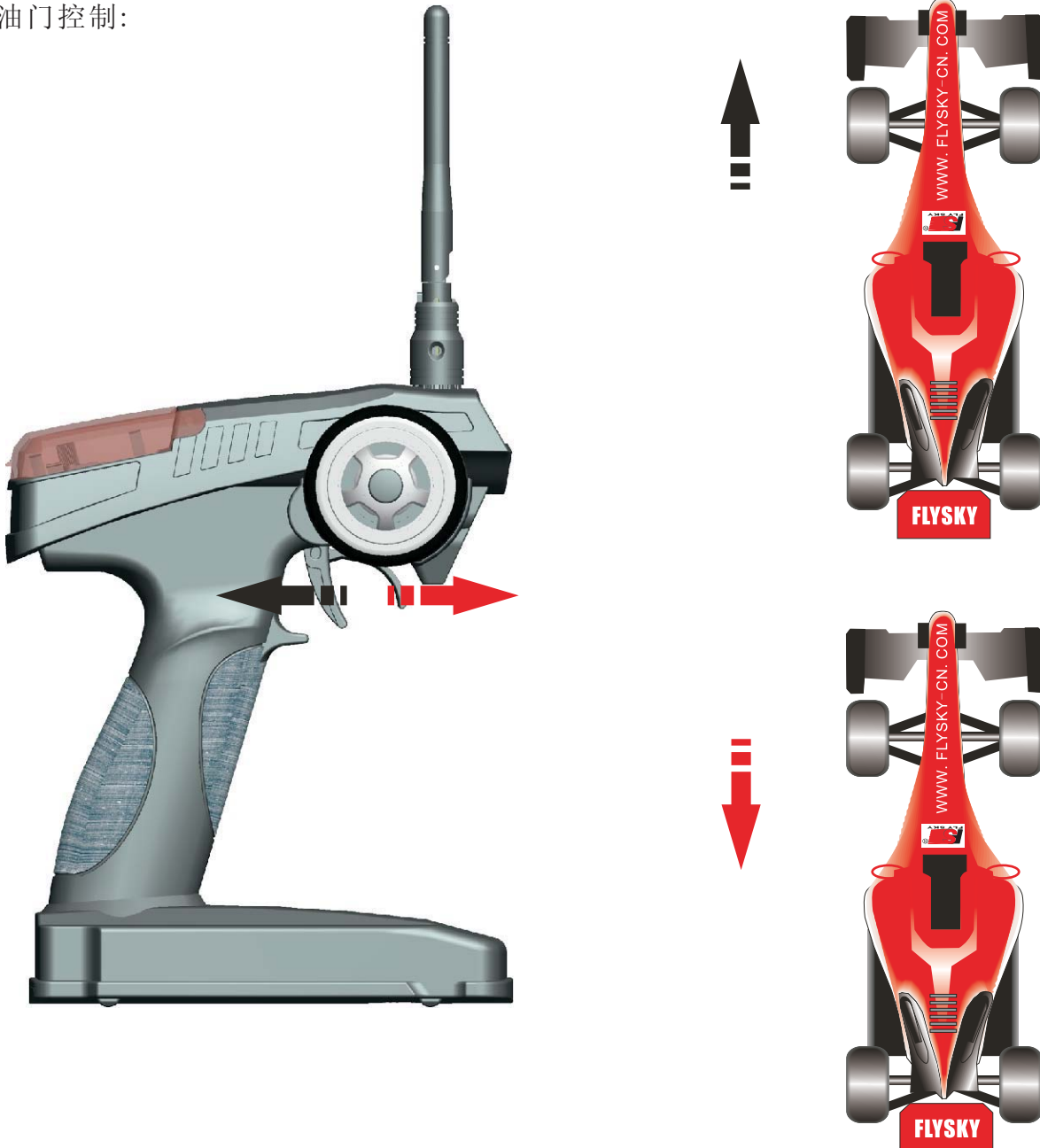
Function Introduction:

This function is to control the direction, when the steering turn to right then the front wheel will turn to right (as picture), when the steering turn to left then the front wheel will turn to left (as picture).

Operation Method:

Adjust the dual rate of the steering by adjusting the D/R knob.

12. 02油门控制:



功能说明:

此功能是用来进行油门(速度)控制, 当油门扣机往后打时车子会向前加速(如图), 当油门扣机往前推时车子会进行刹车或加速后退(依据不同的调速器)(如图)。

操作方法:

开机后, 通过油门扣机进行前后运行的控制。

Function Introduction:

This function is to control the throttle speed, when pull the throtte trigger back,car will accelerate forward (see the picture), when push the throttle trigger, the car will put on the brakes or double ring astern(according to the different ESC) (see the picture).

Operation Method:

To control it by pushing and pulling back the throttle trigger after power on.

13. FAIL SAFE FUNCTION

失控保护功能说明

1. 功能说明

失控保护功能是对模型车或船进行失控保护，避免因失控造成损失。主要是对油门通道进行控制，当接收机接收不到控制信号时，接收机的油门通道将自运行到当初设定的值，以免误动作。

2. 设定方法

- 将发射机开通电源进入工作状态。
- 将接收机接通电源进入工作状态，此时信号灯恒亮。
- 控制发射机的油门通道，使油门控制伺服器或调速器进入刹车或熄火状态，然后保持不动。
- 此时将接收机的设定键（如图按下），此时接收机LED信号灯会闪烁，并在3秒左右停止。
- 设定完成。

3. 测试

- 将发射机打开进入工作状态。
- 将接收机接通电源进入工作状态。
- 将发射机关闭电源。
- 此时可看到油门通道的伺服器便会自动进入设定状态的位置
- 以上动作如果可以完成表示设定OK

FAIL SAFE FUNCTION

1. Function

Failsafe aims to prevent out-of-control driving of RC Car or RC Boat. If the Receiver is not able to receive any signal, from the control to Throttle, the parameter of Throttle on Receiver will turn back to its original setting.

2. Setting

- Turn on the Transmitter switch;
- Turn on the Receiver switch, the LED will be lighting;
- Adjust Transmitter's Throttle, make the car/boat to stop or flameout, then keep still.
- Press the "Setting" button on Receiver (as the pic below), the LED will be flashing, then stop after 3seconds around, which means setting finished.

3. Testing

- Turn on the Transmitter switch;
- Turn on the Receiver switch;
- Turn off the Transmitter switch;
- Servo of Throttle will turn back to its original setting automatically;
- Setting is successful if above procedures finished completely.



14.SIMULATE

功能说明:

此功能用于电脑模拟，从而可通过电脑进行练习，及进行电脑模拟比赛。

操作方法:

1. 将本厂提供的电脑模拟连接线(FS-SM100)一端插入发射机的DSC接口，另一端插入电脑的USB接口，
2. 打开发射机电源。
3. 启动VRC车模应用软件。
4. 按软件要求进行设定完成后便可进行电脑模拟了。

备注:

本公司提供的是VRC公司的免费软件，此软件只提供一条基本赛道和一个训练场。如需其它赛道请跟VRC公司联系。谢！

Function Introduction:

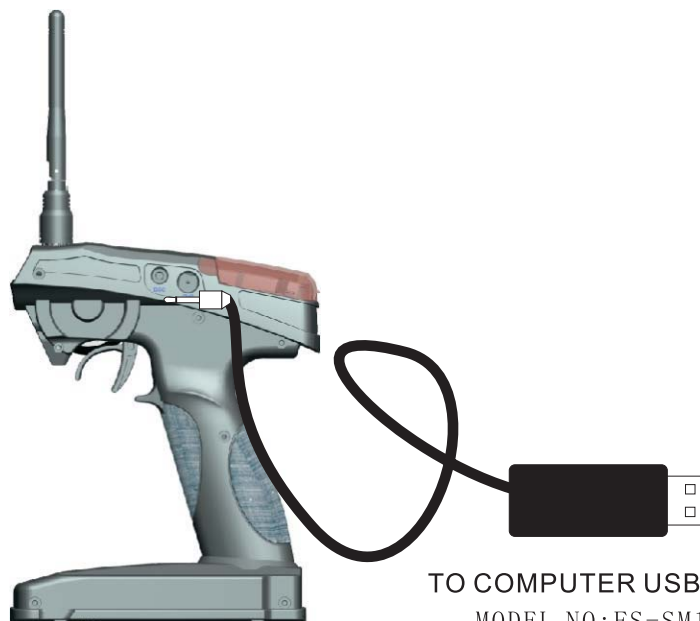
This function is for the virtual RC racing through the computer, you can practise the racing from the computer.

Operation Method:

1. Hook up the DSC port of your Transmitter to the USB adaptor (fs-sm100) and plug the USB adaptor into your PC notebook.
2. Turn on the Transmitter.
3. Open the VRC software.
4. Follow the on-screen instruction to set.

Remark:

The VRC software we provided is free which is offer only one basic track and training ground. If you need any other track, please contact VRC Company, thank you!





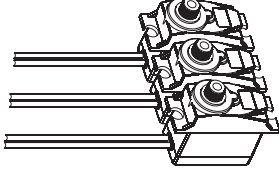
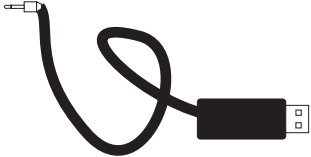


TO COMPUTER USB PORT
MODEL NO: FS-SM100

15. EXPLODED DRIVING



16. PACKAGING WITH CONTENT LIST

NO:	Model	Sum	Remarks
1	2 channel 2.4G transmitter (FS-GT2) 2通2.4G发射 	1	
2	3channel 2.4G receiver (FS-Gr3C) 3通2.4G接收 	1	
3	MANUAL 说明书 	1	
4	Charger 充电器 	1	Optional 可选的
5	Servo (FS-S009) 伺服器 	2	Optional 可选的
6	FS-SM100 模拟线 	1	Optional 可选的

FCC Statement

This equipment has been tested and found to comply with the limits for a Class B digital device, pursuant to part 15 of the FCC Rules. These limits are designed to provide reasonable protection against harmful interference in a residential installation. This equipment generates uses and can radiate radio frequency energy and, if not installed and used in accordance with the instructions, may cause harmful interference to radio communications. However, there is no guarantee that interference will not occur in a particular installation. If this equipment does cause harmful interference to radio or television reception, which can be determined by turning the equipment off and on, the user is encouraged to try to correct the interference by one or more of the following measures:

- Reorient or relocate the receiving antenna.
- Increase the separation between the equipment and receiver.
- Connect the equipment into an outlet on a circuit different from that to which the receiver is connected.
- Consult the dealer or an experienced radio/TV technician for help.

FCC Radiation Exposure Statement

This device complies with FCC radiation exposure limits set forth for an uncontrolled environment and it also complies with Part 15 of the FCC RF Rules. This transmitter must not be co-located or operating in conjunction with any other antenna or transmitter.

Operation is subject to the following two conditions:

- (1) this device may not cause harmful interference, and
- (2) this device must accept any interference received, including interference that may cause undesired operation.

Caution!

The manufacturer is not responsible for any radio or TV interference caused by unauthorized modifications to this equipment. Such modifications could void the user authority to operate the equipment.



Digital propotional radio control system



[Http://www.flysky-cn.com](http://www.flysky-cn.com)
Copy right 2008@flysky co., ltd