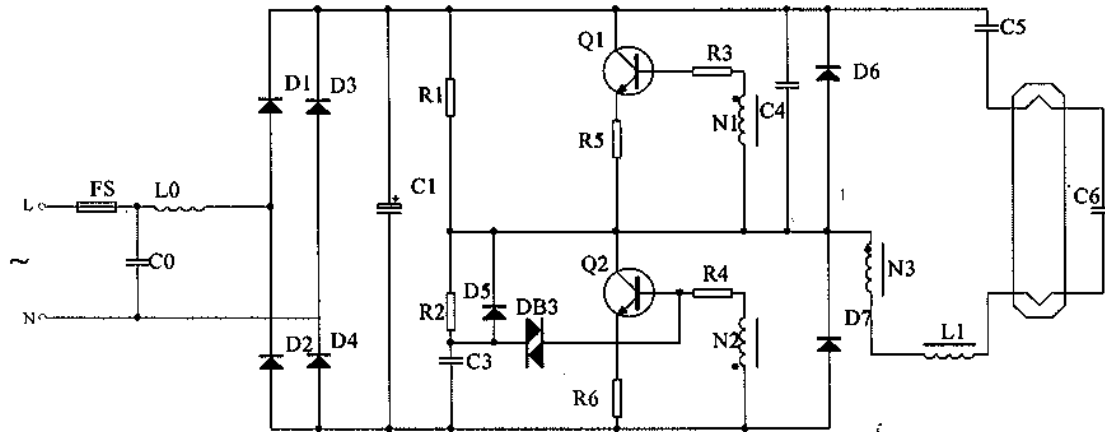


SHUNDE CORSO ELECTRONICS CO.,LTD SCHEMATIC



MODEL: CMTL-9W/13W/15W CMDU-10W CMTU-13W CPOBR-8W/12W 120V/60H