

Wild Planet Entertainment, Inc

Model no: 46102

Mickey's Mouse-Ke-Tag

Date: 2009 Apr 16

Size
A4

FCSM No.

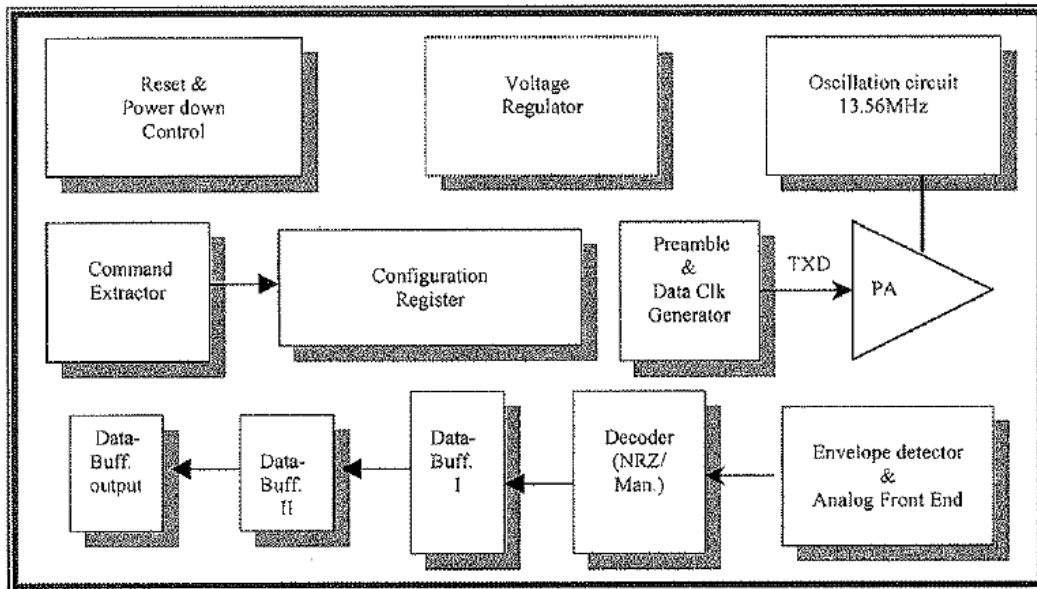
DWG No.

Rev

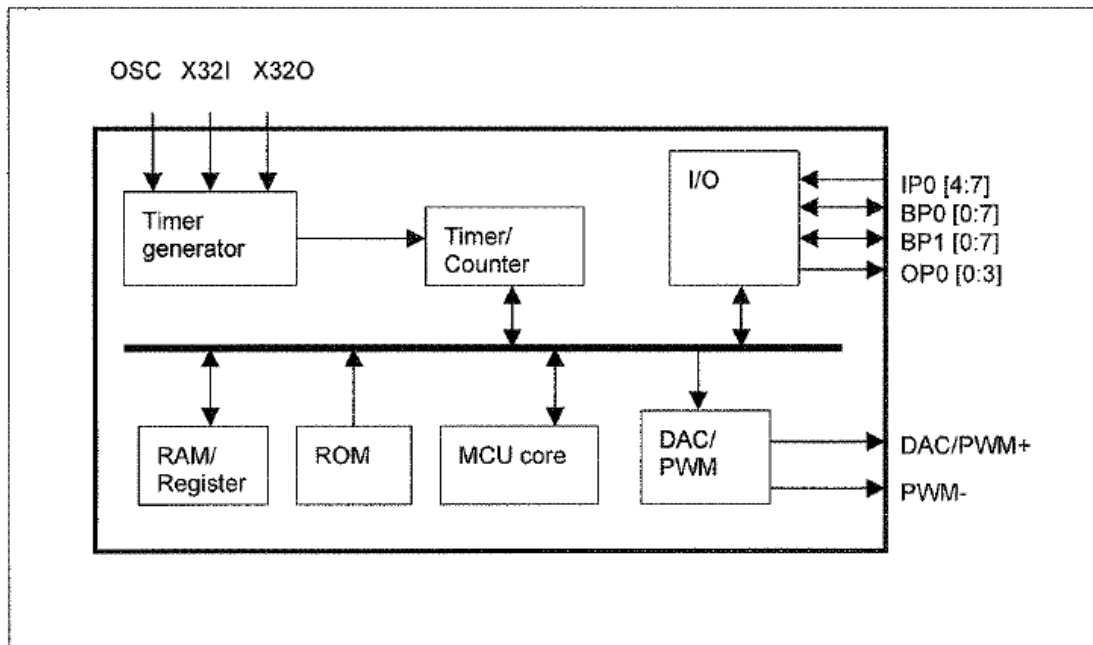
Scale

Sheet
1 of 2

W55MID50 System Block Diagram



W500S080 System Block Diagram



Notes:

1. IP0 and OP0 are only providing in W588S009, W588S012 and W588S015.
2. BP1 is no providing in W588S009, W588S012 and W588S015.
3. PWM is no providing in W588S003 and W588S006.