



# Fax memo

page 1 of 1

WILD PLANET ENTERTAINMENT, INC.  
1903 Miramar Tower,  
132 Nathan Road,  
Tsimshatsui, Kowloon,  
Hong Kong.

Tel : 852-3103 9554  
Fax: 852-2796 1345

Date: 28 June, 07.

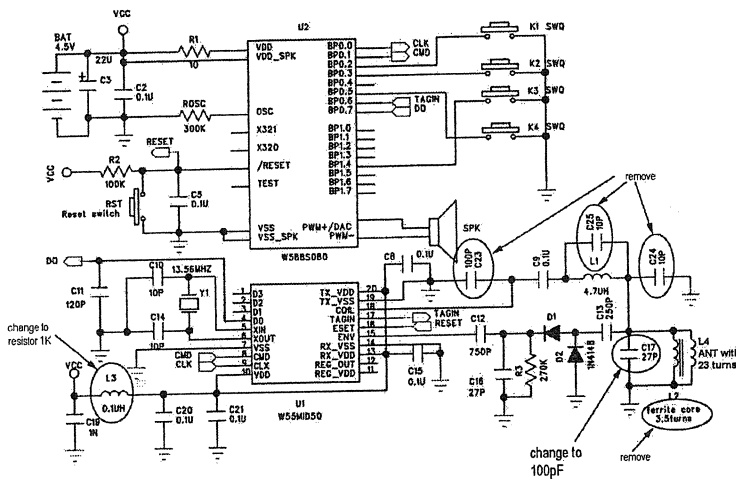
To: ITS  
Attn: Connie Fu  
From: Victor Chan

cc:

Ref: 46001 Hyper Dash – Change of circuit for FCC and RSS210

We would like to simplify the design of Reader of 46001 Hyper Dash in order to save manufacturing cost. The previous certified model 46001 with FCC ID : N3EHYPERDASH46001 and IC Certification number : 3675A-46001 has been modified and the details are listed in below. The PCBs remain unchanged. The modifications do not intend for change in maximum power, field strength ratings and operating frequency. The functions of the modified model are the same as previous certified model.

1. remove ferrite core L2
2. remove capacitors C23, C24 and C25
3. change capacitor C17 from 27pF to 100pF
4. change coil L3 to 1K ohm resistor



46001 Hyper Dash schematic of Reader (Modified)

best regards,

victor