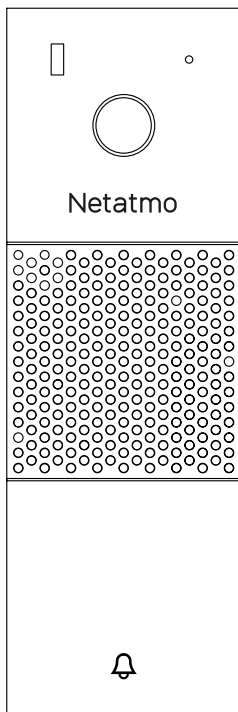




Smart Video Doorbell



EN User guide
FR Guide de l'utilisateur
DE Benutzerhandbuch

ES Guía del usuario
IT Manuale di istruzioni
NL Gebruikershandleiding

EN

Read these instructions carefully before starting the installation.

The documentation provided with this product must be kept throughout the product's life time.

FR

Lire attentivement cette notice avant l'installation.

Conserver impérativement la documentation fournie avec ce produit pendant toute sa durée de vie.

DE

Lesen Sie diese Anleitung aufmerksam durch, bevor Sie mit der Installation beginnen.

Bewahren Sie die mit diesem Produkt mitgelieferte Dokumentation auf jeden Fall über seine gesamte Lebensdauer auf.

ES

Lee atentamente estas instrucciones antes de empezar la instalación.

Conservar toda la documentación entregada con el producto durante toda su vida útil.

IT

Leggi attentamente le seguenti istruzioni prima di iniziare l'installazione.

Conservate obbligatoriamente la documentazione fornita con il prodotto per tutta la sua durata di vita.

NL

Lees de instructies aandachtig voor u begint met de installatie. Bewaar de met het product meegeleverde documentatie tijdens de gehele levensduur van het product.

EN User guide available in more languages at the following address:

FR Le guide de l'utilisateur est disponible dans plusieurs autres langues à l'adresse ci-dessous :

DE Unter der folgenden Adresse finden Sie das Benutzerhandbuch in mehreren Sprachen:

ES Guía del usuario disponible en otros idiomas en la siguiente dirección:

IT Il manuale di istruzioni è disponibile in numerose altre lingue al seguente indirizzo:

NL Gebruikershandleiding in meer talen beschikbaar op de volgende website:

SE Bruksanvisningen finns på fler språk på:

NO Brukerguide tilgjengelig på flere andre språk på:

DA Brugervejledningen fås på flere sprog på:

CZ Uživatelská příručka v dalších jazykových verzích je k dispozici na adrese:

PL Instrukcję obsługi dostępną w innych językach można znaleźć pod adresem:

JA より多くの言語で利用可能なユーザーガイドは、次のアドレスで入手できます。

RU Руководство пользователя доступно на нескольких языках по следующему адресу:

PT Guia do utilizador disponível em mais línguas em:

<https://doorbell.netatmo.com>

EN You can watch an installation video tutorial online at the following address:

FR Une vidéo d'aide à l'installation est disponible à l'adresse ci-dessous :

DE Unter der folgenden Adresse können Sie ein Tutorial-Video zur Installation online anschauen:

ES Puedes ver un tutorial de instalación en línea en la siguiente dirección:

IT Guarda online il video tutorial sull'installazione del prodotto al seguente indirizzo:

NL U kunt een online installatievideo bekijken op de volgende website

SE Du kan titta på en installationsvideohandledning online på följande adress:

NO Du kan se en opplæringsvideopplæring online på følgende adresse:

DA Du kan se en installationsvideovejledning online på følgende adresse:

CZ Instalační video tutoriál můžete sledovat online na následující adrese:

PL Samouczek wideo dotyczący instalacji można obejrzeć online pod następującym adresem:

JA 次のアドレスでインストールビデオチュートリアルをオンラインで見ることができます。

RU Вы можете посмотреть онлайн-учебник по установке по следующему адресу:

PT Você pode assistir a um tutorial em vídeo de instalação online no seguinte endereço:

<https://doorbell.netatmo.com>

EN SUMMARY

Pack Content	8
Product Overview	14
Product Installation	18
Troubleshooting	76
Safety Warnings	
Legal Mentions	

FR SOMMAIRE

Contenu du pack	8
Aperçu du produit	14
Installation du produit	18
Résolution des problèmes	76
Consignes de sécurité	
Mentions légales	

DE SUMMARY

Packungsinhalt	8
Produktübersicht	14
Produktinstallation	18
Fehlersuche	76
Sicherheitshinweise	
Rechtliche hinweise	

ES SUMMARY

Contenido del pack	8
Descripción del producto	14
Instalación del producto	18
Solución de problemas	76
Advertencias de seguridad	
Menciones legales	

IT SUMMARY

Contenuto della confezione	8
Descrizione prodotto	14
Installazione del prodotto	18
Risoluzione di problemi	76
Avvisi di sicurezza	
Menzioni legali	

NL SUMMARY

Inhoud van het pakket	8
Productoverzicht	14
Product installatie	18
Problemen oplossen	76
Veiligheidswaarschuwingen	
Juridische vermeldingen	

Pack content 1/3

EN Pack content

- A. 1 Smart Video Doorbell
- B. 1 wall mounting plate
- C. 1 125° bracket
- D. 1 finish plate

ES Contenido de la caja

- A. 1 Timbre con Vídeo Inteligente
- B. 1 soporte mural
- C. 1 soporte inclinado à 25°
- D. 1 placa de acabado

FR Contenu du pack

- A. 1 Sonnette Vidéo Intelligente
- B. 1 support mural
- C. 1 support incliné à 25°
- D. 1 plaque de finition

IT Contenuto della confezione

- A. 1 Campanello Intelligente con Videocamera
- B. 1 supporto a muro
- C. 1 supporto inclinato a 25°
- D. 1 piastra di copertura

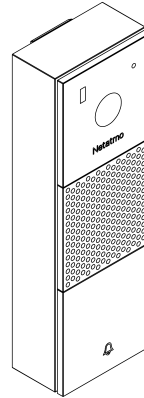
DE Verpackungsinhalt

- A. 1 Smarte Videotürklingel
- B. 1 Wandhalterung
- C. 1 Halterung für einen Neigungswinkel von 25°
- D. 1 Abdeckung

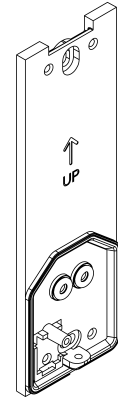
NL Inhoud van het pakket

- A. 1 Slimme Video Deurbel
- B. 1 muurmontageplaat
- C. 1 steun met een hoek van 25°
- D. 1 afdekplaat

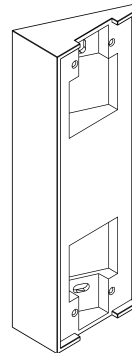
Pack content 1/3



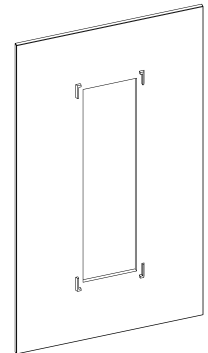
A



B



C



D

Pack content 2/3

EN Pack content

- E. 1 chime module
- F. 1 wire connector
- G. 1 usb cable
- H. 1 additional fuse
- I. 1 drilling template
- J. 1 Homekit card

ES Contenido de la caja

- E. 1 chime module
- F. 1 wire connector
- G. 1 usb cable
- H. 1 additional fuse
- I. 1 drilling template
- J. 1 Homekit card

FR Contenu du pack

- E. 1 module de carillon
- F. 1 connecteur de fils
- G. 1 cable USB
- H. 1 fusible supplémentaire
- I. 1 gabarit de perçage
- J. 1 carte Homekit

IT Contenuto della confezione

- E. 1 chime module
- F. 1 wire connector
- G. 1 usb cable
- H. 1 additional fuse
- I. 1 drilling template
- J. 1 Homekit card

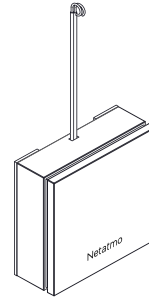
DE Verpackungsinhalt

- E. 1 chime module
- F. 1 wire connector
- G. 1 usb cable
- H. 1 additional fuse
- I. 1 drilling template
- J. 1 Homekit card

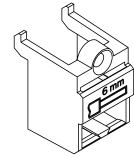
NL Inhoud van het pakket

- E. 1 chime module
- F. 1 wire connector
- G. 1 usb cable
- H. 1 additional fuse
- I. 1 drilling template
- J. 1 Homekit card

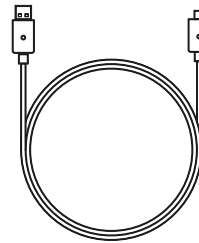
Pack content 2/3



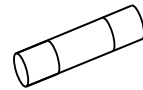
E



F



G



H



I



J

Pack content 3/3

EN Pack content

- K. 4 bracket screws
- L. 2 mounting screws and 2 anchors
- M. 1 security screw and its custom tool
- N. 1 connector screw

ES Contenido de la caja

- K. 4 wedge screws
- L. 2 mounting screws and 2 anchors
- M. 1 security screw and its custom tool
- N. 1 connector screw

FR Contenu du pack

- K. 4 vis pour support incliné
- L. 2 vis de montage et 2 chevilles
- M. 1 vis de sécurité et son outil personnalisé
- N. 1 vis de connecteur

IT Contenuto della confezione

- K. 4 wedge screws
- L. 2 mounting screws and 2 anchors
- M. 1 security screw and its custom tool
- N. 1 connector screw

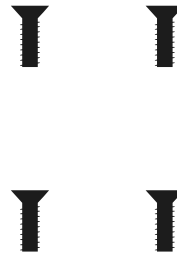
DE Verpackungsinhalt

- K. 4 wedge screws
- L. 2 mounting screws and 2 anchors
- M. 1 security screw and its custom tool
- N. 1 connector screw

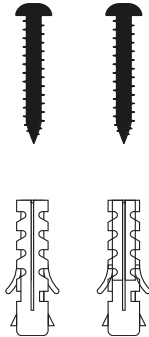
NL Inhoud van het pakket

- K. 4 wedge screws
- L. 2 mounting screws and 2 anchors
- M. 1 security screw and its custom tool
- N. 1 connector screw

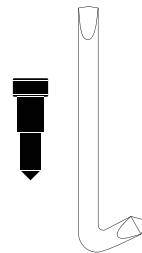
Pack content 3/3



K



L



M



N

Product overview

EN Product overview

- A. Night Vision LED
- B. LED
- C. Camera
- D. Speaker
- E. Microphone
- F. Doorbell Button

ES Product overview

- A. Night Vision LED
- B. LED
- C. Camera
- D. Speaker
- E. Microphone
- F. Doorbell Button

FR Aperçu du produit

- A. LED de vision nocturne
- B. LED
- C. Camera
- D. Microphone
- E. Haut-parleur
- F. Bouton de sonnette

IT Product overview

- A. Night Vision LED
- B. LED
- C. Camera
- D. Speaker
- E. Microphone
- F. Doorbell Button

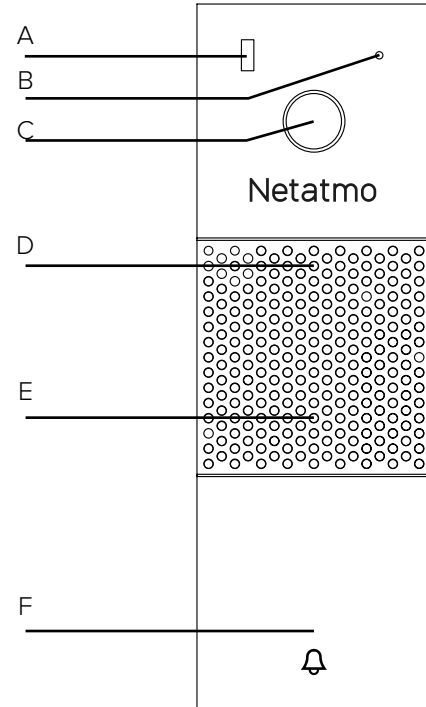
DE Product overview

- A. Night Vision LED
- B. LED
- C. Camera
- D. Speaker
- E. Microphone
- F. Doorbell Button

NL Product overview

- A. Night Vision LED
- B. LED
- C. Camera
- D. Speaker
- E. Microphone
- F. Doorbell Button

Product overview



Required tools

EN Required tools

- A. Philips screwdriver
- B. Drill - Ø6mm
- C. Pair of scissors (recommended tool)
- D. Level (recommended tool)

ES Herramientas necesarias

- A. Philips screwdriver LED
- B. Drill - Ø6mm
- C. Pair of scissors (recommended tool)
- D. Level (recommended tool)

FR Outils nécessaires

- A. Tournevis cruciforme
- B. Perceuse - Ø6mm
- C. Paire de ciseaux (outil recommandé)
- D. Niveau à bulle (outil recommandé)

IT Strumenti necessari

- A. Philips screwdriver LED
- B. Drill - Ø6mm
- C. Pair of scissors (recommended tool)
- D. Level (recommended tool)

DE Erforderliches Werkzeug

- A. Philips screwdriver LED
- B. Drill - Ø6mm
- C. Pair of scissors (recommended tool)
- D. Level (recommended tool)

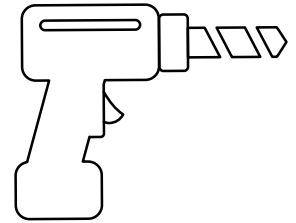
NL Benodigd gereedschap

- A. Philips screwdriver LED
- B. Drill - Ø6mm
- C. Pair of scissors (recommended tool)
- D. Level (recommended tool)

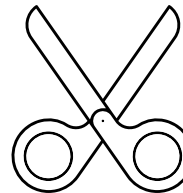
Required tools



A



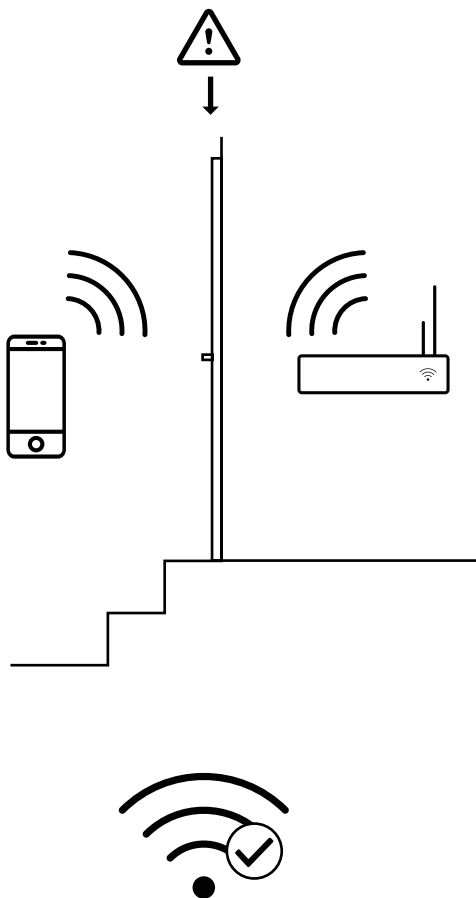
B




C




D

**EN** Check Wi-Fi Reception

 Check with your smartphone that you have Wi-Fi reception at your doorbell with your door closed.


If you do not, try to move your Wi-Fi router closer or install a Wi-Fi extender.

FR Vérifier la réception Wi-Fi

 Vérifiez avec votre smartphone que vous recevez une connexion Wi-Fi au niveau de votre sonnette avec votre porte d'entrée fermée.


Dans le cas contraire, essayez de rapprocher votre routeur Wi-Fi ou ajoutez un répéteur.

DE Check Wi-Fi Reception

 Check with your smartphone that you have Wi-Fi reception at your doorbell with your door closed.


If you do not, try to move your Wi-Fi router closer or install a Wi-Fi extender.

ES Check Wi-Fi Reception

 Check with your smartphone that you have Wi-Fi reception at your doorbell with your door closed.


If you do not, try to move your Wi-Fi router closer or install a Wi-Fi extender.

IT Check Wi-Fi Reception

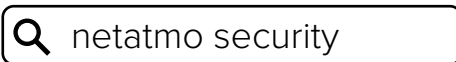
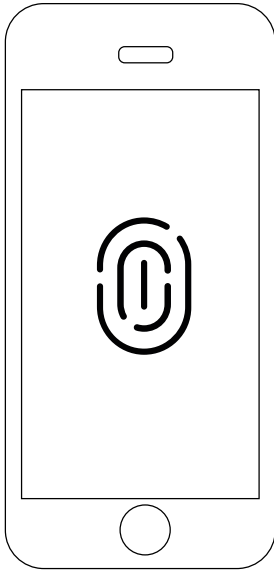
 Check with your smartphone that you have Wi-Fi reception at your doorbell with your door closed.

If you do not, try to move your Wi-Fi router closer or install a Wi-Fi extender.

NL Check Wi-Fi Reception

 Check with your smartphone that you have Wi-Fi reception at your doorbell with your door closed.

If you do not, try to move your Wi-Fi router closer or install a Wi-Fi extender.



EN Download the app and create an account

To prepare the installation of your Smart Video Doorbell, please download the app and create an account.

FR Téléchargez l'app et créez un compte

Pour préparer l'installation de votre Sonnette Video Intelligente, téléchargez l'application et créez un compte.

DE Download the App and follow the instructions

To set up and control your Smart Video Doorbell from your smart-phone or tablet, please download the app.

ES Download the App and follow the instructions

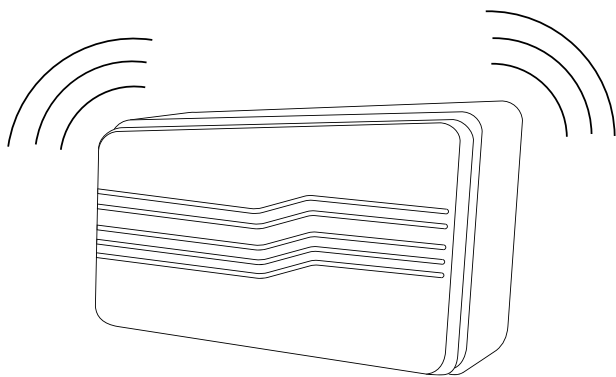
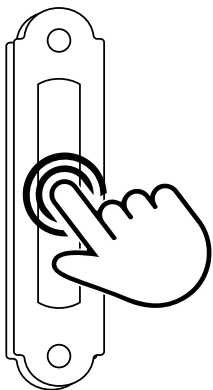
To set up and control your Smart Video Doorbell from your smart-phone or tablet, please download the app.

IT Download the App and follow the instructions

To set up and control your Smart Video Doorbell from your smart-phone or tablet, please download the app.

NL Download the App and follow the instructions

To set up and control your Smart Video Doorbell from your smart-phone or tablet, please download the app.

**EN** Locate your chime

Press your doorbell button to locate your chime.

Note: The chime is the little box that rings.

If you don't have a chime please visit the Help Center at helpcenter.netatmo.com.

FR Localisez votre carillon

Appuyez sur votre bouton de sonnette pour repérer votre carillon.

Note : Le carillon est la petite boîte qui sonne.

Si vous n'avez pas de carillon, rendez-vous sur le Help Center à l'adresse helpcenter.netatmo.com.

DE Locate your chime

Press your doorbell button to locate your chime.

Note: The chime is the little box that rings.

If you don't have a chime please visit the Help Center at helpcenter.netatmo.com.

ES Locate your chime

Press your doorbell button to locate your chime.

Note: The chime is the little box that rings.

If you don't have a chime please visit the Help Center at helpcenter.netatmo.com.

IT Locate your chime

Press your doorbell button to locate your chime.

Note: The chime is the little box that rings.

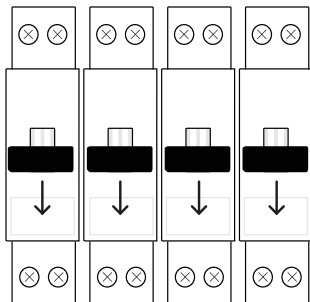
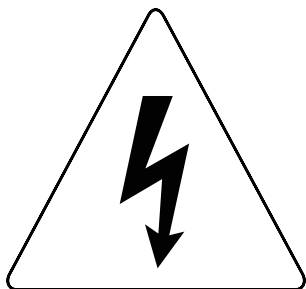
If you don't have a chime please visit the Help Center at helpcenter.netatmo.com.

NL Locate your chime

Press your doorbell button to locate your chime.

Note: The chime is the little box that rings.

If you don't have a chime please visit the Help Center at helpcenter.netatmo.com.



OFF

EN Caution: Electrical Danger

Disconnect power at fuse or circuit breaker before proceeding to the installation.

FR Avertissement : danger électrique

Coupez le courant au disjoncteur général avant de procéder à l'installation.

DE Vorsicht: elektrische Gefahr.

Schalten Sie den Strom der Sicherung oder Schutzschalter ab, bevor Sie mit der Installation beginnen..

ES Atención: peligro eléctrico.

Antes de proceder con la instalación desconecta el fusible o el disyuntor.

IT Attenzione: rischio elettrico.

Staccare i fusibili o il contatore della corrente, prima di effettuare l'installazione.

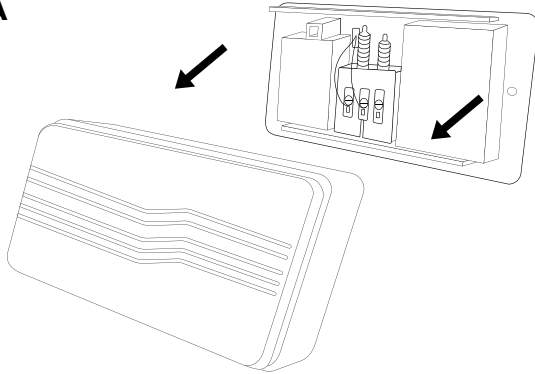
NL Let op: gevaar door elektriciteit.

Schakel de stroom uit bij de zekering of stroomonderbreker voordat u de installatie uitvoert.

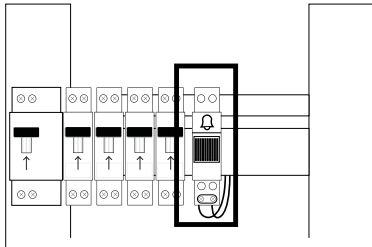
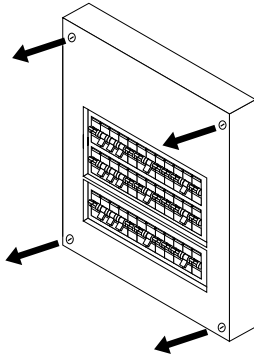
5

Open your chime

A



B



EN Open your chime

A. If your chime is near or around your door:

Remove your chime cover.

B. If your chime is in your switch board:

Unscrew and remove your switch board cover.

You should see the two wires connecting your chime. If you see more than two wires please visit the Help Center at helpcenter.netatmo.com.

FR Ouvrez votre carillon

A. Si votre carillon est autour ou proche de votre porte :

Retirez le couvercle de votre carillon.

B. Si votre carillon est dans votre tableau électrique :

Dévissez et retirez le couvercle de votre tableau électrique.

Vous devriez voir les 2 fils connectés à votre carillon. Si vous voyez plus de 2 fils, rendez-vous sur le Help Center à l'adresse helpcenter.netatmo.com.

DE Open your chime

A. If your chime is near or around your door:

Remove your chime cover.

B. If your chime is in your switch board:

Unscrew and remove your switch board cover.

You should see the two wires connecting your chime. If you see more than two wires please visit the Help Center at helpcenter.netatmo.com.

ES Open your chime

A. If your chime is near or around your door:

Remove your chime cover.

B. If your chime is in your switch board:

Unscrew and remove your switch board cover.

You should see the two wires connecting your chime. If you see more than two wires please visit the Help Center at helpcenter.netatmo.com.

IT Open your chime

A. If your chime is near or around your door:

Remove your chime cover.

B. If your chime is in your switch board:

Unscrew and remove your switch board cover.

You should see the two wires connecting your chime. If you see more than two wires please visit the Help Center at helpcenter.netatmo.com.

NL Open your chime

A. If your chime is near or around your door:

Remove your chime cover.

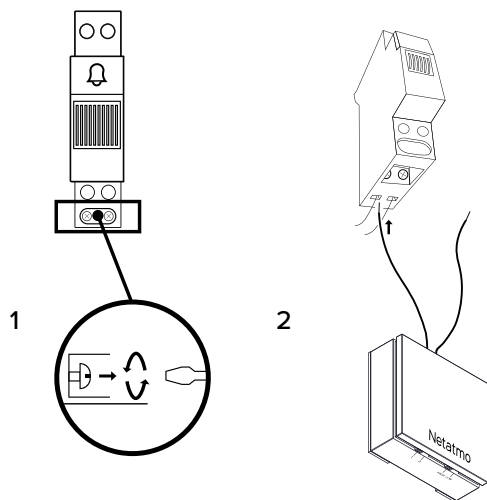
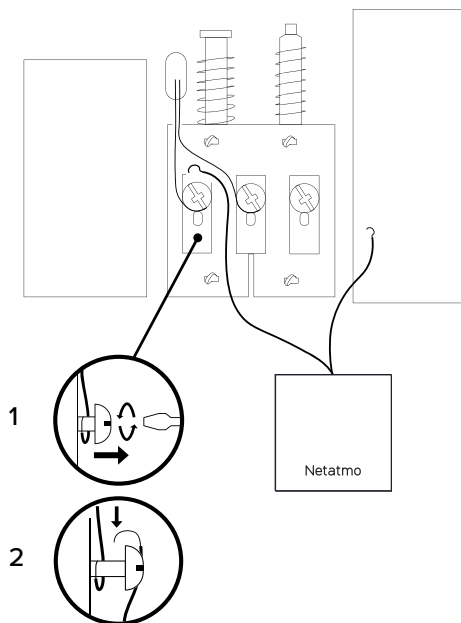
B. If your chime is in your switch board:

Unscrew and remove your switch board cover.

You should see the two wires connecting your chime. If you see more than two wires please visit the Help Center at helpcenter.netatmo.com.

6

Connect the first wire of the chime module



EN Connect the first wire of the chime module

1. Loosen one of the screws.
2. Hook one of the **chime module's** wires.

Note: There is no polarity in the circuit, choose the wire you want.

FR Connectez le premier fil du module de carillon

1. Desserrez une des vis.
2. Accrochez un des fils du **module de carillon**.

Note : Il n'y a aucune polarité dans le circuit, choisissez le fil que vous souhaitez.

DE Connect the first wire of the chime module

1. Loosen one of the screws.
2. Hook one of the **chime module's** wires.

Note: There is no polarity in the circuit, choose the wire you want.

ES Connect the first wire of the chime module

1. Loosen one of the screws.
2. Hook one of the **chime module's** wires.

Note: There is no polarity in the circuit, choose the wire you want.

IT Connect the first wire of the chime module

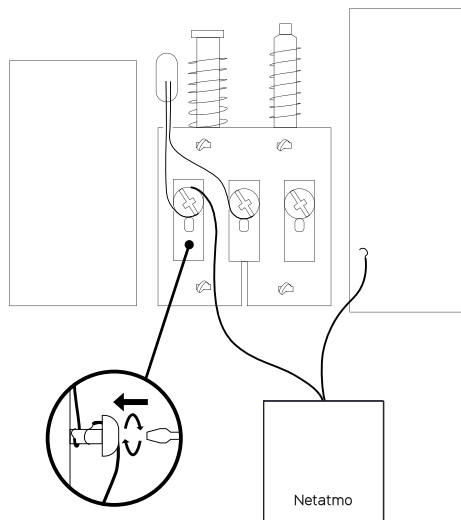
1. Loosen one of the screws.
2. Hook one of the **chime module's** wires.

Note: There is no polarity in the circuit, choose the wire you want.

NL Connect the first wire of the chime module

1. Loosen one of the screws.
2. Hook one of the **chime module's** wires.

Note: There is no polarity in the circuit, choose the wire you want.

**EN Secure the first wire**

Tighten the screw in order to maintain the wires together.

FR Sécurisez le premier fil

Resserrez la vis pour maintenir les fils ensemble.

DE Secure the first wire

Tighten the screw in order to maintain the wires together.

ES Secure the first wire

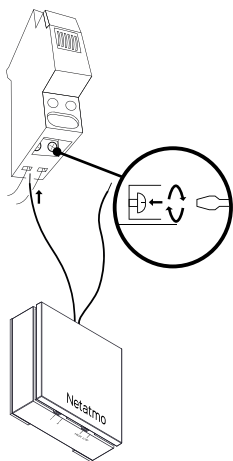
Tighten the screw in order to maintain the wires together.

IT Secure the first wire

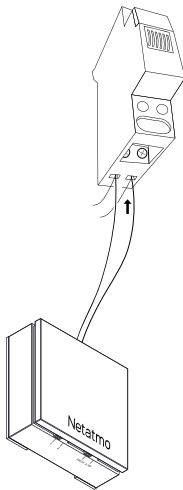
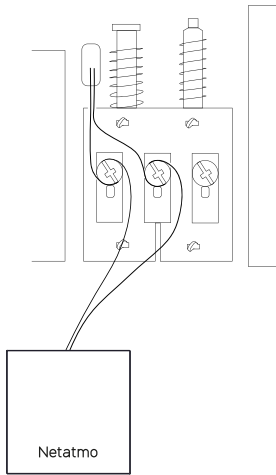
Tighten the screw in order to maintain the wires together.

NL Secure the first wire

Tighten the screw in order to maintain the wires together.



Connect and secure the second wire



EN Connect and secure the second wire

Repeat steps (5) and (6) with the second wire.

FR Connectez et sécurisez le second fil

Répétez les étapes (5) et (6) pour le second fil.

DE Connect and secure the second wire

Repeat steps (5) and (6) with the second wire.

ES Connect and secure the second wire

Repeat steps (5) and (6) with the second wire.

IT Connect and secure the second wire

Repeat steps (5) and (6) with the second wire.

NL Connect and secure the second wire

Repeat steps (5) and (6) with the second wire.

**EN** Verify the chime module configuration

Make sure the selectors are in 1 - LOW position.

FR Vérifiez la configuration du module de carillon

Assurez-vous que les sélecteurs soient sur la position 1 - LOW.

DE Verify the chime module configuration

Make sure the selectors are in 1 - LOW position.

ES Verify the chime module configuration

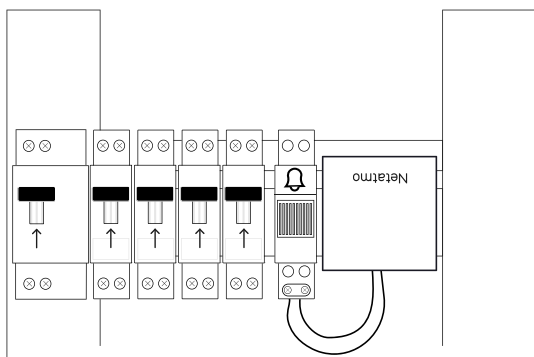
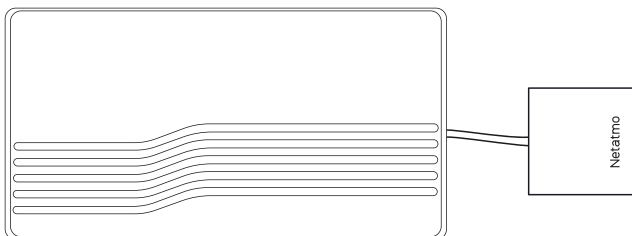
Make sure the selectors are in 1 - LOW position.

IT Verify the chime module configuration

Make sure the selectors are in 1 - LOW position.

NL Verify the chime module configuration

Make sure the selectors are in 1 - LOW position.



EN Stick the chime module

Stick the **chime module** next to your chime using the two stickers on the back. Then put the chime cover or switch board cover back on.

FR Fixez le module de carillon

Fixez le **module de carillon** à côté de votre carillon en utilisant les deux stickers au dos du module. Remettez ensuite le couvercle du carillon ou du tableau électrique.

DE Stick the chime module.

Stick the **chime module** next to your chime using the two stickers on the back. Then put the chime cover or switch board cover back on.

ES Stick the chime module.

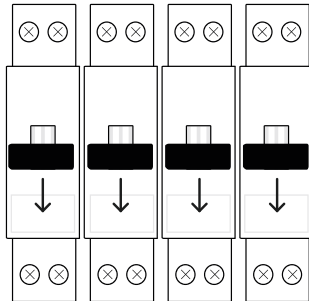
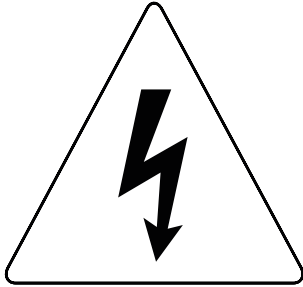
Stick the **chime module** next to your chime using the two stickers on the back. Then put the chime cover or switch board cover back on.

IT Stick the chime module.

Stick the **chime module** next to your chime using the two stickers on the back. Then put the chime cover or switch board cover back on.

NL Stick the chime module.

Stick the **chime module** next to your chime using the two stickers on the back. Then put the chime cover or switch board cover back on.



OFF

EN Caution: Electrical Danger

Make sure power is still disconnected before continuing the installation.

FR Avertissement : danger électrique

Assurez-vous que le courant est toujours coupé au disjoncteur général avant de poursuivre l'installation.

DE Caution: Electrical Danger

Make sure power is still disconnected before continuing the installation.

ES Caution: Electrical Danger

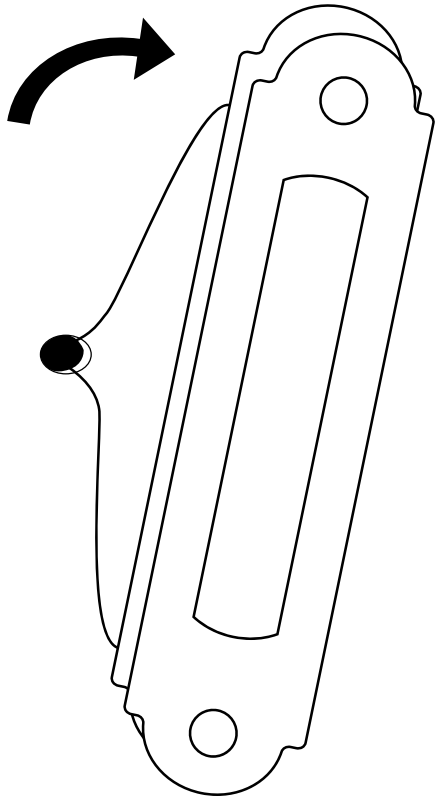
Make sure power is still disconnected before continuing the installation.

IT Caution: Electrical Danger

Make sure power is still disconnected before continuing the installation.

NL Caution: Electrical Danger

Make sure power is still disconnected before continuing the installation.

**EN Unmount your old doorbell**

Unmount your old doorbell from the wall and disconnect the wires.

Note: Your old doorbell may be tightly screwed or glued to your wall.

FR Démontez votre ancienne sonnette

Démontez votre ancienne sonnette du mur et déconnectez les fils.

Note : Votre ancienne sonnette peut être fermement vissée ou collée à votre mur.

DE Unmount your old doorbell

Unmount your old doorbell from the wall and disconnect the wires.

Note: Your old doorbell may be tightly screwed or glued to your wall.

ES Unmount your old doorbell

Unmount your old doorbell from the wall and disconnect the wires.

Note: Your old doorbell may be tightly screwed or glued to your wall.

IT Unmount your old doorbell

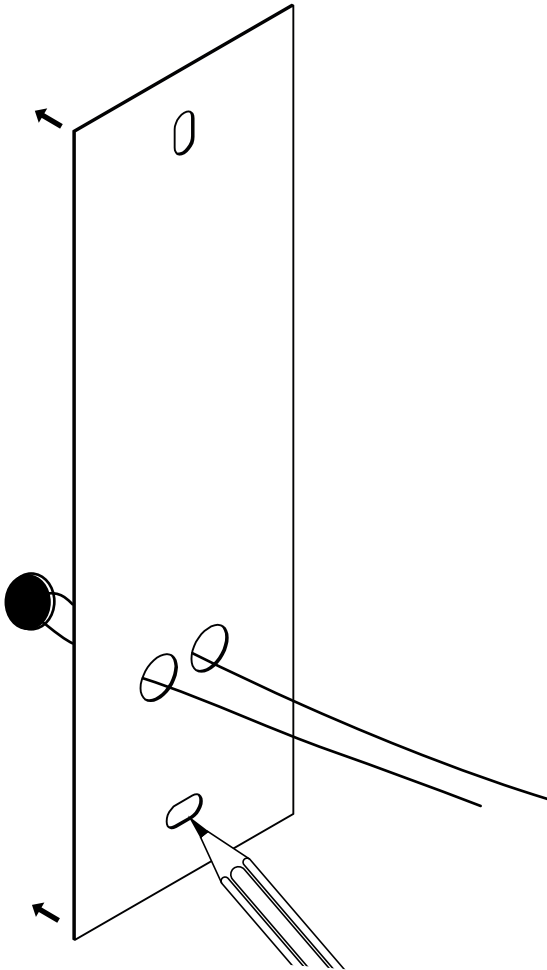
Unmount your old doorbell from the wall and disconnect the wires.

Note: Your old doorbell may be tightly screwed or glued to your wall.

NL Caution: Electrical Danger

Unmount your old doorbell from the wall and disconnect the wires.

Note: Your old doorbell may be tightly screwed or glued to your wall.

**EN** Mark the drilling holes

1. Place the **drilling template** on the wall and pass the wires through the provided space.
2. Mark the drilling holes with a pen.

FR Marquez les trous de perçage

1. Positionnez le **gabarit de perçage** sur le mur en faisant passer les fils dans l'espace prévu.
2. Marquez les trous de perçage à l'aide d'un crayon.

DE Mark the drilling holes

1. Place the **drilling template** on the wall and pass the wires through the provided space.
2. Mark the drilling holes with a pen.

ES Mark the drilling holes

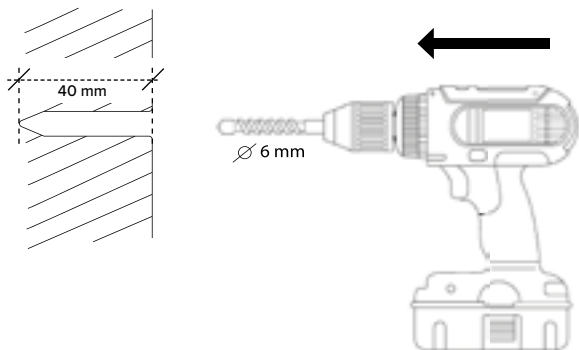
1. Place the **drilling template** on the wall and pass the wires through the provided space.
2. Mark the drilling holes with a pen.

IT Mark the drilling holes

1. Place the **drilling template** on the wall and pass the wires through the provided space.
2. Mark the drilling holes with a pen.

NL Mark the drilling holes

1. Place the **drilling template** on the wall and pass the wires through the provided space.
2. Mark the drilling holes with a pen.



EN Drill the holes

Use a Ø6mm drill for the holes and insert the 2 provided **anchors**.

FR Percez les trous

Utilisez un foret de Ø6mm pour percer les trous et insérez les 2 **chevilles** fournies.

DE Drill the holes

Use a Ø6mm drill for the holes and insert the 2 provided **anchors**.

ES Drill the holes

Use a Ø6mm drill for the holes and insert the 2 provided **anchors**.

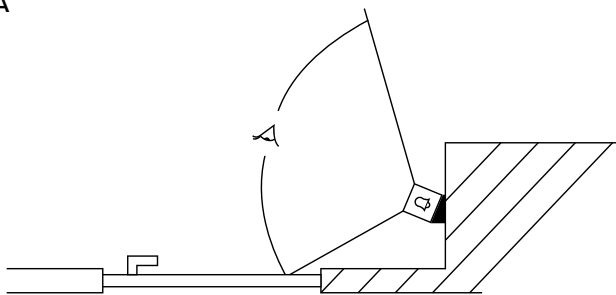
IT Drill the holes

Use a Ø6mm drill for the holes and insert the 2 provided **anchors**.

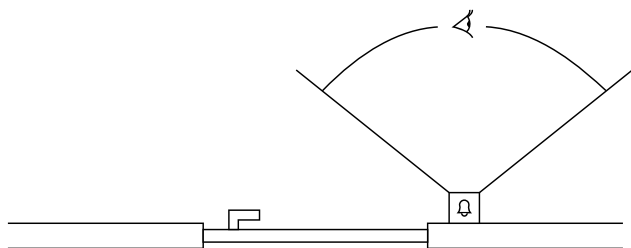
NL Drill the holes

Use a Ø6mm drill for the holes and insert the 2 provided **anchors**.

A



B

**EN Choose your wall mount type**

- A. With the **25° bracket**, go to step (16)
- B. Without the **25° bracket**, go to step (19)

FR Choisissez votre type de support mural

- A. Avec le **support incliné à 25°**, passez à l'étape (16)
- B. Sans le **support incliné à 25°**, passez à l'étape (19)

DE Choose your wall mount type

- A. With the **25° bracket**, go to step (16)
- B. Without the **25° bracket**, go to step (19)

ES Choose your wall mount type

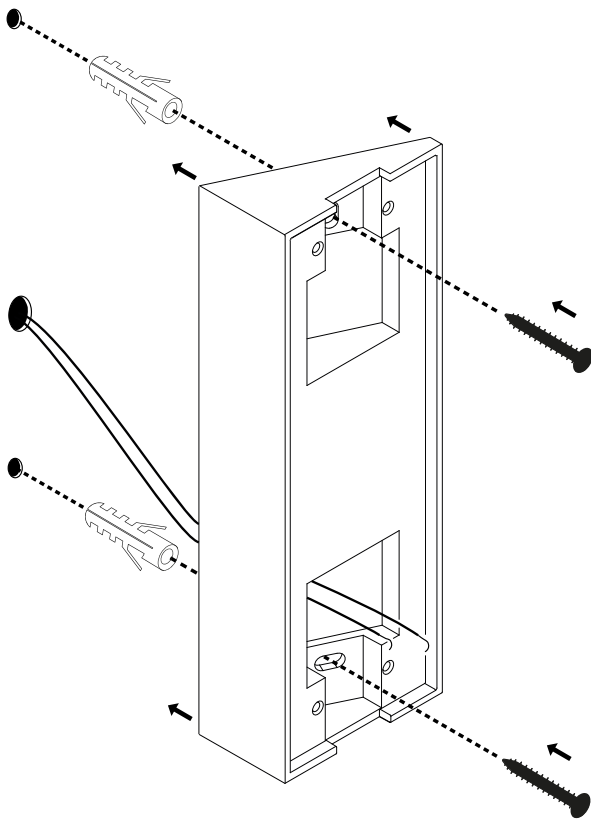
- A. With the **25° bracket**, go to step (16)
- B. Without the **25° bracket**, go to step (19)

IT Choose your wall mount type

- A. With the **25° bracket**, go to step (16)
- B. Without the **25° bracket**, go to step (19)

NL Choose your wall mount type

- A. With the **25° bracket**, go to step (16)
- B. Without the **25° bracket**, go to step (19)



EN Install the angle wedge

Install the **25° bracket** on the wall with the 2 provided **mounting screws**.

Note: To hide potential scratches and holes left behind, use the **finish plate**.

FR Installez le support incliné

Installez le **support incliné à 25°** sur le mur à l'aide des 2 **vis de montage** fournies.

Note : Utilisez la **plaque de finition** pour cacher les éventuels trous ou imperfections sur le mur.

DE Install the angle wedge

Install the **25° bracket** on the wall with the 2 provided **mounting screws**.

Note: To hide potential scratches and holes left behind, use the **finish plate**.

ES Install the angle wedge

Install the **25° bracket** on the wall with the 2 provided **mounting screws**.

Note: To hide potential scratches and holes left behind, use the **finish plate**.

IT Install the angle wedge

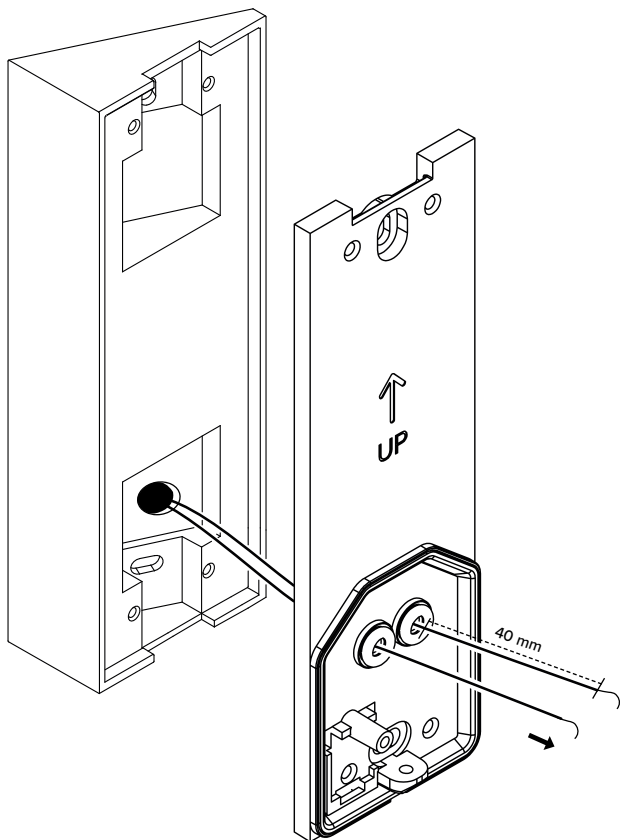
Install the **25° bracket** on the wall with the 2 provided **mounting screws**.

Note: To hide potential scratches and holes left behind, use the **finish plate**.

NL Install the angle wedge

Install the **25° bracket** on the wall with the 2 provided **mounting screws**.

Note: To hide potential scratches and holes left behind, use the **finish plate**.



EN Secure the wires

Insert the 2 wires from your old doorbell through the waterproof membrane of the **wall mounting plate**.

FR Sécurisez les fils

Insérez les 2 fils de votre ancienne sonnette à travers la membrane étanche du **support mural**.

DE Secure the wires

Insert the 2 wires from your old doorbell through the waterproof membrane of the **wall mounting plate**.

ES Secure the wires

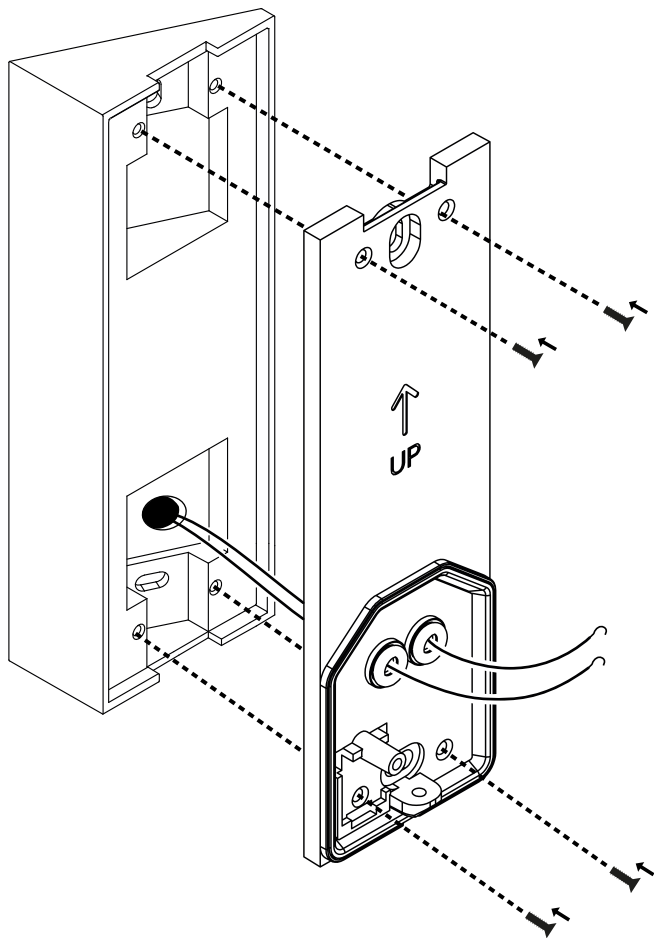
Insert the 2 wires from your old doorbell through the waterproof membrane of the **wall mounting plate**.

IT Secure the wires

Insert the 2 wires from your old doorbell through the waterproof membrane of the **wall mounting plate**.

NL Secure the wires

Insert the 2 wires from your old doorbell through the waterproof membrane of the **wall mounting plate**.

**EN** Install the wall mount

Screw the **wall mounting plate** to the **25° bracket** with the 4 provided **bracket screws**.

Skip steps (19) and (20), go directly to step (21).

FR Installez le support mural

Vissez le **support mural** au **support incliné** à l'aide des **4 vis de support incliné** fournies.

Sautez les étapes (19) et (20) et passez directement à l'étape (21).

DE Install the wall mount

Screw the **wall mounting plate** to the **25° bracket** with the 4 provided **bracket screws**.

Skip steps (19) and (20), go directly to step (21).

ES Install the wall mount

Screw the **wall mounting plate** to the **25° bracket** with the 4 provided **bracket screws**.

Skip steps (19) and (20), go directly to step (21).

IT Install the wall mount

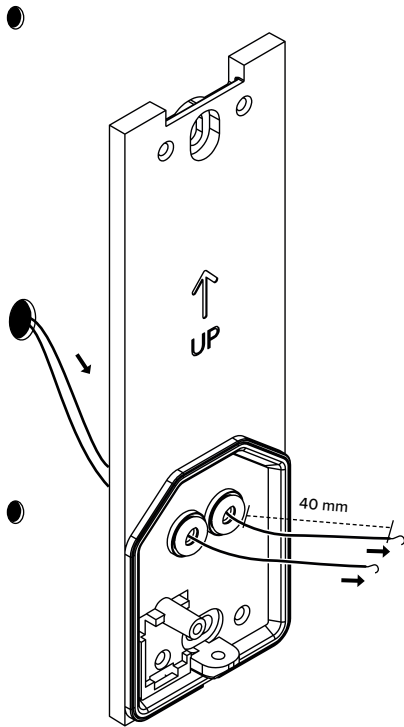
Screw the **wall mounting plate** to the **25° bracket** with the 4 provided **bracket screws**.

Skip steps (19) and (20), go directly to step (21).

NL Install the wall mount

Screw the **wall mounting plate** to the **25° bracket** with the 4 provided **bracket screws**.

Skip steps (19) and (20), go directly to step (21).

**EN** Secure the wires

Insert the 2 wires from your old doorbell through the waterproof membrane of the **wall mounting plate**.

Note: To hide potential scratches and holes left behind, use the finish plate.

FR Sécurisez les fils

Insérez les 2 fils de votre ancienne sonnette à travers la membrane étanche du **support mural**.

Note : Utilisez la plaque de finition pour cacher les éventuels trous ou imperfections sur le mur.

DE Secure the wires

Insert the 2 wires from your old doorbell through the waterproof membrane of the **wall mount**.

Note: To hide potential scratches and holes left behind, use the decorative plate.

ES Secure the wires

Insert the 2 wires from your old doorbell through the waterproof membrane of the **wall mount**.

Note: To hide potential scratches and holes left behind, use the decorative plate.

IT Secure the wires

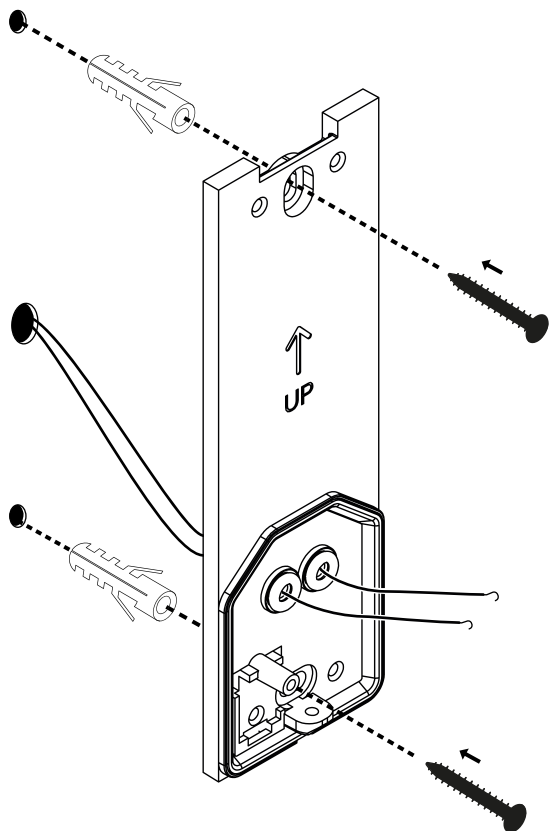
Insert the 2 wires from your old doorbell through the waterproof membrane of the **wall mount**.

Note: To hide potential scratches and holes left behind, use the decorative plate.

NL Secure the wires

Insert the 2 wires from your old doorbell through the waterproof membrane of the **wall mount**.

Note: To hide potential scratches and holes left behind, use the decorative plate.



EN Install the wall mount

Install the **wall mounting plate** on the wall with the 2 provided **mounting screws**.

FR Installez le support mural

Installez le **support mural** sur le mur à l'aide des 2 **vis de montage** fournies.

DE Install the wall mount

Install the **wall mounting plate** on the wall with the 2 provided **mounting screws**.

ES Install the wall mount

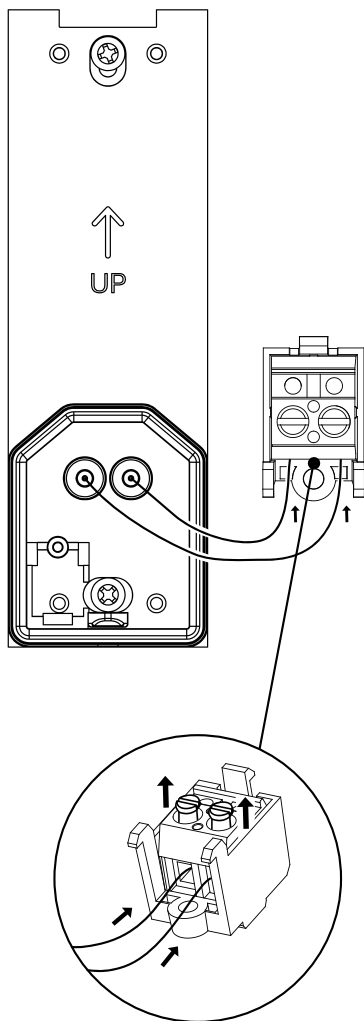
Install the **wall mounting plate** on the wall with the 2 provided **mounting screws**.

IT Install the wall mount

Install the **wall mounting plate** on the wall with the 2 provided **mounting screws**.

NL Install the wall mount

Install the **wall mounting plate** on the wall with the 2 provided **mounting screws**.

**EN** Connect the wires

Insert and secure the 2 wires into the **wire connector**.

Note: There is no polarity in the circuit, insert the wires in the order you want.

FR Connectez les fils

Insérez et sécurisez les fils dans le **connecteur de fil**.

Note: Il n'y a aucune polarité dans le circuit, insérez les fils dans l'ordre que vous souhaitez.

DE Connect the wires

Insert and secure the 2 wires into the **wire connector**.

Note: There is no polarity in the circuit, insert the wires in the order you want.

ES Connect the wires

Insert and secure the 2 wires into the **wire connector**.

Note: There is no polarity in the circuit, insert the wires in the order you want.

IT Connect the wires

Insert and secure the 2 wires into the **wire connector**.

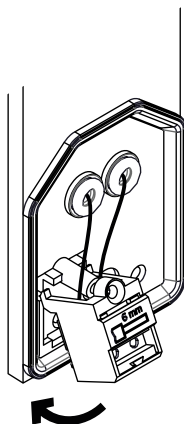
Note: There is no polarity in the circuit, insert the wires in the order you want.

NL Connect the wires

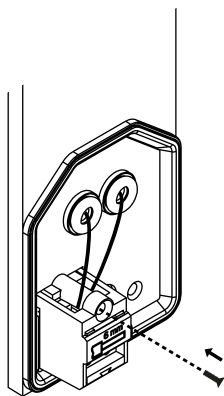
Insert and secure the 2 wires into the **wire connector**.

Note: There is no polarity in the circuit, insert the wires in the order you want.

1



2

**EN** Secure the wire connector

1. Clip the **wire connector** on the **wall mounting plate**.
2. Secure it with the **connector screw**.

FR Sécurisez le connecteur de vis

1. Clipsez le **connecteur de vis** sur le **support mural**.
2. Sécurisez-le avec la **vis de connecteur**.

DE Secure the wire connector

1. Clip the **wire connector** on the **wall mounting plate**.
2. Secure it with the **connector screw**.

ES Secure the wire connector

1. Clip the **wire connector** on the **wall mounting plate**.
2. Secure it with the **connector screw**.

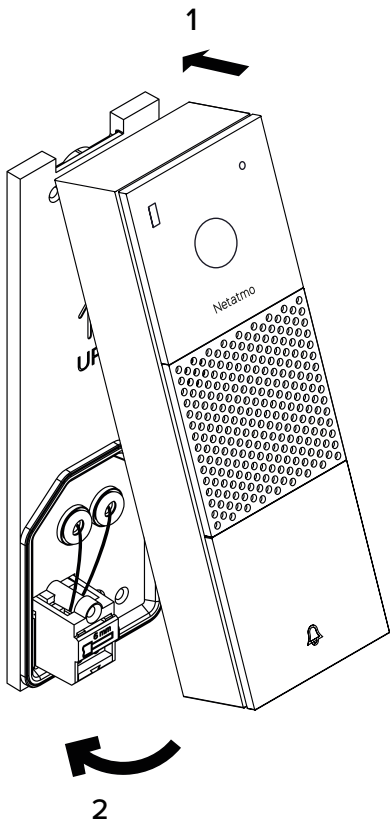
IT Secure the wire connector

1. Clip the **wire connector** on the **wall mounting plate**.
2. Secure it with the **connector screw**.

NL Secure the wire connector

1. Clip the **wire connector** on the **wall mounting plate**.
2. Secure it with the **connector screw**.

Plug the Smart Video Doorbell on the wall mount



EN Plug the Smart Video Doorbell on the wall mount

FR Branchez la Sonnette Vidéo Intelligente au support mural

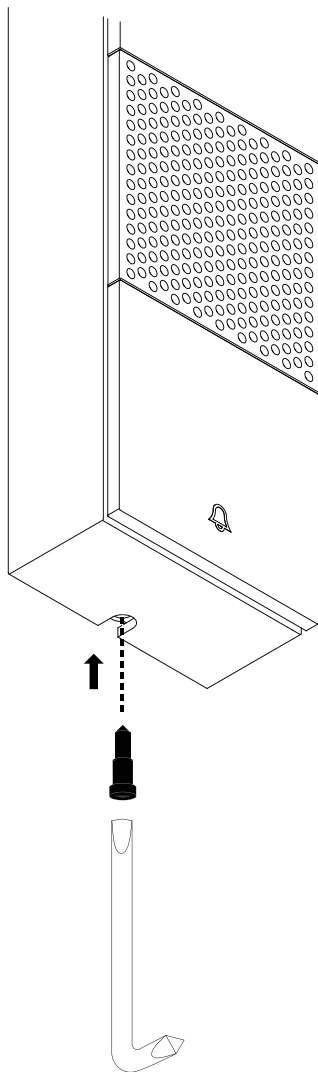
DE Plug the Smart Video Doorbell on the wall mount

ES Plug the Smart Video Doorbell on the wall mount

IT Plug the Smart Video Doorbell on the wall mount

NL Plug the Smart Video Doorbell on the wall mount

Secure the doorbell with the provided security screw



EN Secure the doorbell with the provided security screw

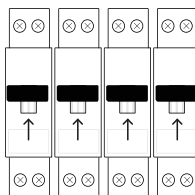
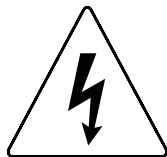
FR Sécurisez la sonnette avec la vis de sécurité fournie

DE Secure the doorbell with the provided security screw

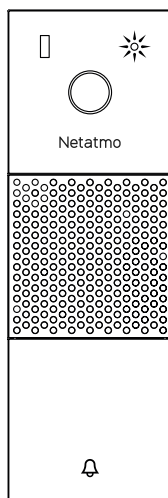
ES Secure the doorbell with the provided security screw

IT Secure the doorbell with the provided security screw

NL Secure the doorbell with the provided security screw



ON

**EN Reconnect the power**

The Smart Video Doorbell will start and its LED will turn on.

After a few seconds the LED will go from glowing to solid green. Once you see the solid green LED go to step (28).

If the LED is glowing blue or purple go to step (26).

FR Rétablissez le courant

La Sonnette Vidéo Intelligente va démarrer et sa LED va s'allumer.

Après quelques secondes la LED va passer du vert clignotant au vert fixe. Passez directement à l'étape (28) une fois que vous apercevez la LED verte fixe.

Si la LED clignote bleu ou violet passez à l'étape (26).

DE Reconnect the power

The Smart Video Doorbell will start and its LED will turn on.

After a few seconds the LED will go from glowing to solid green. Once you see the solid green LED go to step (28).

If the LED is glowing blue or purple go to step (26).

ES Reconnect the power

The Smart Video Doorbell will start and its LED will turn on.

After a few seconds the LED will go from glowing to solid green. Once you see the solid green LED go to step (28).

If the LED is glowing blue or purple go to step (26).

IT Reconnect the power

The Smart Video Doorbell will start and its LED will turn on.

After a few seconds the LED will go from glowing to solid green. Once you see the solid green LED go to step (28).

If the LED is glowing blue or purple go to step (26).

NL Reconnect the power

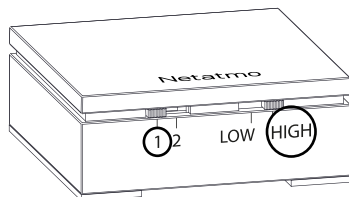
The Smart Video Doorbell will start and its LED will turn on.

After a few seconds the LED will go from glowing to solid green. Once you see the solid green LED go to step (28).

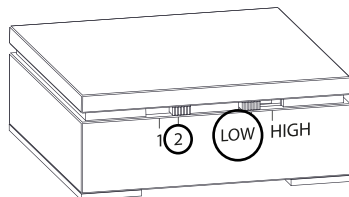
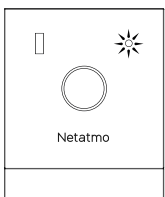
If the LED is glowing blue or purple go to step (26).

Your chime module needs to be configured

A The LED is glowing blue



B The LED is glowing purple



EN Your chime module needs to be configured

A. The LED is glowing blue:

On your **chime module**, leave the 1-2 selector on 1 and set the LOW-HIGH selector on HIGH.

B. The LED is glowing purple:

On your **chime module**, set the 1-2 selector on 2 and leave the LOW-HIGH selector on LOW.

FR Votre module de carillon a besoin d'être configuré

A.La LED clignote bleu :

Sur votre **module de carillon**, laissez le sélecteur 1-2 sur la position 1 et placez le sélecteur LOW-HIGH sur la position HIGH.

B.La LED clignote violet :

Sur votre **module de carillon**, placez le sélecteur 1-2 sur la position 2 et laissez le sélecteur LOW-HIGH sur la position LOW.

DE Your chime module needs to be configured

A. The LED is glowing blue:

On your **chime module**, leave the 1-2 selector on 1 and set the LOW-HIGH selector on HIGH.

B. The LED is glowing purple:

On your **chime module**, set the 1-2 selector on 2 and leave the LOW-HIGH selector on LOW.

ES Your chime module needs to be configured

A. The LED is glowing blue:

On your **chime module**, leave the 1-2 selector on 1 and set the LOW-HIGH selector on HIGH.

B. The LED is glowing purple:

On your **chime module**, set the 1-2 selector on 2 and leave the LOW-HIGH selector on LOW.

IT Your chime module needs to be configured

A. The LED is glowing blue:

On your **chime module**, leave the 1-2 selector on 1 and set the LOW-HIGH selector on HIGH.

B. The LED is glowing purple:

On your **chime module**, set the 1-2 selector on 2 and leave the LOW-HIGH selector on LOW.

NL Your chime module needs to be configured

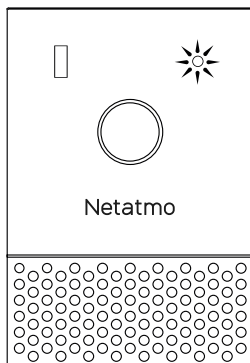
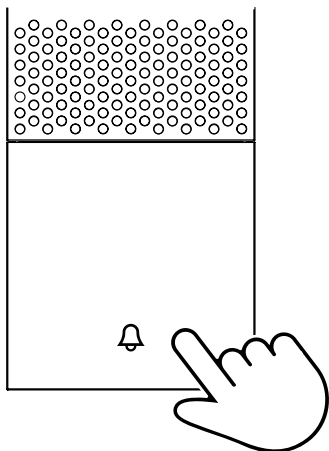
A. The LED is glowing blue:

On your **chime module**, leave the 1-2 selector on 1 and set the LOW-HIGH selector on HIGH.

B. The LED is glowing purple:

On your **chime module**, set the 1-2 selector on 2 and leave the LOW-HIGH selector on LOW.

Press the doorbell button once you have configured your chime module



EN Press the doorbell button once you have configured your chime module

Note: Your chime is not connected yet, it is normal if you don't hear it ring.

The LED will go from glowing blue or purple to glowing green, and turn to solid green after a few seconds.

If the LED turns blue or purple again go back to step (26).

FR Appuyez sur votre sonnette une fois votre module de carillon configuré

Note : Votre carillon n'est pas encore connecté, c'est normal que vous ne l'entendiez pas sonner.

La LED va passer du bleu ou violet clignotant au vert clignotant, puis au vert fixe après quelques secondes.

Si la LED redevient bleue ou violette retournez à l'étape (26).

DE Press the doorbell button once you have configured your chime module

Note: Your chime is not connected yet, it is normal if you don't hear it ring.

The LED will go from glowing blue or purple to glowing green, and turn to solid green after a few seconds.

If the LED turns blue or purple again go back to step (26).

ES Press the doorbell button once you have configured your chime module

Note: Your chime is not connected yet, it is normal if you don't hear it ring.

The LED will go from glowing blue or purple to glowing green, and turn to solid green after a few seconds.

If the LED turns blue or purple again go back to step (26).

IT Press the doorbell button once you have configured your chime module

Note: Your chime is not connected yet, it is normal if you don't hear it ring.

The LED will go from glowing blue or purple to glowing green, and turn to solid green after a few seconds.

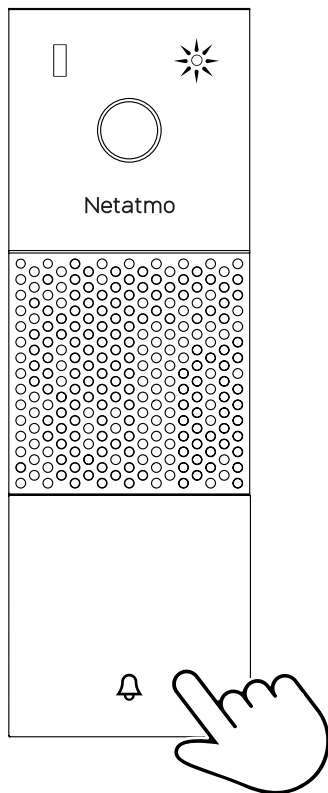
If the LED turns blue or purple again go back to step (26).

NL Press the doorbell button once you have configured your chime module

Note: Your chime is not connected yet, it is normal if you don't hear it ring.

The LED will go from glowing blue or purple to glowing green, and turn to solid green after a few seconds.

If the LED turns blue or purple again go back to step (26).

**EN Test your chime**

Press the doorbell button to test your chime. Refer to the troubleshooting section page XX if your chime doesn't ring. You have completed the electrical installation of your Smart Video Doorbell.

The LED will glow white after a few seconds, indicating your doorbell is ready to be connected to the app.

FR Test your chime

Appuyez sur votre sonnette pour tester votre carillon. Si votre carillon ne sonne pas, référez-vous au tableau de résolution de problèmes page XX. Vous avez terminé l'installation électrique de votre Sonnette Vidéo Intelligente.

La LED deviendra blanche clignotante après quelques secondes, indiquant que votre sonnette est prête à être connectée à l'application.

DE Test your chime

Press the doorbell button to test your chime. Refer to the troubleshooting section page XX if your chime doesn't ring. You have completed the electrical installation of your Smart Video Doorbell.

The LED will glow white after a few seconds, indicating your doorbell is ready to be connected to the app.

ES Test your chime

Press the doorbell button to test your chime. Refer to the troubleshooting section page XX if your chime doesn't ring. You have completed the electrical installation of your Smart Video Doorbell.

The LED will glow white after a few seconds, indicating your doorbell is ready to be connected to the app.

IT Test your chime

Press the doorbell button to test your chime. Refer to the troubleshooting section page XX if your chime doesn't ring. You have completed the electrical installation of your Smart Video Doorbell.

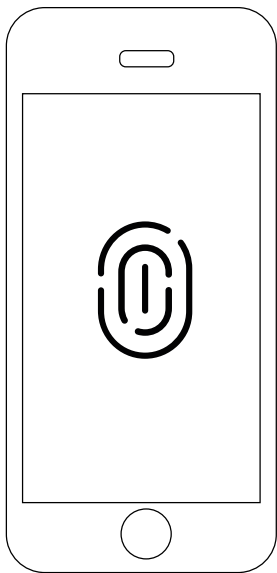
The LED will glow white after a few seconds, indicating your doorbell is ready to be connected to the app.

NL Test your chime

Press the doorbell button to test your chime. Refer to the troubleshooting section page XX if your chime doesn't ring. You have completed the electrical installation of your Smart Video Doorbell.

The LED will glow white after a few seconds, indicating your doorbell is ready to be connected to the app.

Return to the App and follow the instructions



EN Return to the App and follow the instructions

To set up and control your Smart Video Doorbell from your smartphone or tablet, please return to the app.

FR Retournez sur l'App et suivez les instructions

Pour configurer et contrôler votre Sonnette Video Intelligente depuis votre smartphone ou depuis votre tablette, retournez sur l'application.

DE Download the App and follow the instructions

To set up and control your Smart Video Doorbell from your smartphone or tablet, please download the app.

ES Download the App and follow the instructions

To set up and control your Smart Video Doorbell from your smartphone or tablet, please download the app.

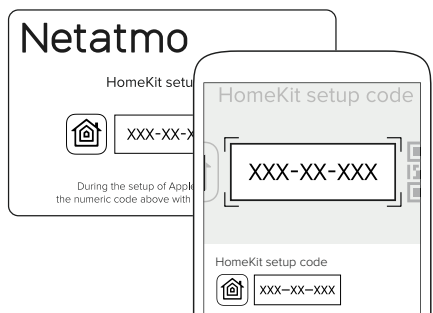
IT Download the App and follow the instructions

To set up and control your Smart Video Doorbell from your smartphone or tablet, please download the app.

NL Download the App and follow the instructions

To set up and control your Smart Video Doorbell from your smartphone or tablet, please download the app.

Apple Homekit



Apple Homekit

- EN** Your Smart Video Doorbell is compatible with Apple Homekit. You need to scan the code in the provided card, "HomeKit setup code", during the setup of Apple Homekit through the App.



The code is unique and cannot be generated again. Keep it in a safe place. Do not throw the card away.

- FR** Votre Sonnette Vidéo Intelligente est compatible avec Apple HomeKit. Vous devrez scanner le code sur la carte fournie, "HomeKit setup code", durant la configuration de HomeKit sur l'application.



Le code est unique et ne peut pas être généré à nouveau. Gardez-le dans un endroit sûr. Ne pas jeter la carte.

- DE** Your Smart Video Doorbell is compatible with Apple Homekit. You need to scan the code in the provided card, "HomeKit setup code", during the setup of Apple Homekit through the App.



The code is unique and cannot be generated again. Keep it in a safe place. Do not throw the card away.

- ES** Your Smart Video Doorbell is compatible with Apple Homekit. You need to scan the code in the provided card, "HomeKit setup code", during the setup of Apple Homekit through the App.



The code is unique and cannot be generated again. Keep it in a safe place. Do not throw the card away.

- IT** Your Smart Video Doorbell is compatible with Apple Homekit. You need to scan the code in the provided card, "HomeKit setup code", during the setup of Apple Homekit through the App.



The code is unique and cannot be generated again. Keep it in a safe place. Do not throw the card away.

- NL** Your Smart Video Doorbell is compatible with Apple Homekit. You need to scan the code in the provided card, "HomeKit setup code", during the setup of Apple Homekit through the App.



The code is unique and cannot be generated again. Keep it in a safe place. Do not throw the card away.

EN Troubleshooting

LED Status	Problem	Possible causes	Solutions
Off	My product does not start.	Circuit breaker is turned off.	Turn circuit breaker on.
		Incorrect circuit wiring.	Check wire connections. Shut off the power first. (Go back to step 3)
		Fuse is blown.	Make sure your chime module's selectors are in 1-HIGH position. (See step 8) Replace the Smart Video Doorbell internal fuse with the provided backup fuse. (See Fuse Replacement page XX).
Solid Green	My chime does not ring.	Incorrect circuit wiring.	Check wire connections. Shut off the power first. (Go back to step 3)
		Transformer not powerful enough.	Replace your transformer with a more powerful one.
Solid Red	My product is not responding.	Transformer not powerful enough.	Replace your transformer with a more powerful one.
Glowing Orange	My product is not responding	Internal backup power supply level is low	Leave the Smart Video Doorbell powered on its wall mount.

For further help please visit the Help Center at helpcenter.netatmo.com.

FR Résolution de problèmes

Etat de la LED	Problème	Causes possibles	Solution
Eteinte	Mon produit ne démarre pas.	Le courant est coupé au niveau du disjoncteur.	Rétablissez le courant.
		Mauvais câblage du circuit.	Vérifiez les branchements. Coupez d'abord le courant. (Retournez à l'étape 3)
		Le fusible a sauté.	Assurez-vous que les sélecteurs du module de carillon soient sur la position 1 – HIGH. (Voir étape 8) Remplacez le fusible de votre produit avec le fusible de remplacement fourni. (Voir Remplacement du fusible page XX)
Verte fixe	Mon carillon ne sonne pas.	Mauvais câblage du circuit.	Vérifiez les branchements. Coupez d'abord le courant. (Retournez à l'étape 3)
		Transformateur pas assez puissant.	Remplacer votre transformateur avec un modèle plus puissant.
Rouge fixe	Mon produit ne répond plus.	Transformateur pas assez puissant.	Remplacer votre transformateur avec un modèle plus puissant.
Orange clignotant	Mon produit ne répond plus.	Source d'alimentation interne faible.	Laissez votre produit alimenté sur son support mural.

Pour plus de conseils d'aide, rendez-vous sur le Help Center à l'adresse helpcenter.netatmo.com

EN Troubleshooting

LED Status	Problem	Possible causes	Solutions
Off	My product does not start.	Circuit breaker is turned off.	Turn circuit breaker on.
		Incorrect circuit wiring.	Check wire connections. Shut off the power first. (Go back to step 3)
		Fuse is blown.	Make sure your chime module's selectors are in 1-HIGH position. (See step 8) Replace the Smart Video Doorbell internal fuse with the provided backup fuse. (See Fuse Replacement page XX).
Solid Green	My chime does not ring.	Incorrect circuit wiring.	Check wire connections. Shut off the power first. (Go back to step 3)
		Transformer not powerful enough.	Replace your transformer with a more powerful one.
Solid Red	My product is not responding.	Transformer not powerful enough.	Replace your transformer with a more powerful one.
Glowing Orange	My product is not responding	Internal backup power supply level is low	Leave the Smart Video Doorbell powered on its wall mount.

For further help please visit the Help Center at helpcenter.netatmo.com.

EN Troubleshooting

LED Status	Problem	Possible causes	Solutions
Off	My product does not start.	Circuit breaker is turned off.	Turn circuit breaker on.
		Incorrect circuit wiring.	Check wire connections. Shut off the power first. (Go back to step 3)
		Fuse is blown.	Make sure your chime module's selectors are in 1-HIGH position. (See step 8) Replace the Smart Video Doorbell internal fuse with the provided backup fuse. (See Fuse Replacement page XX).
Solid Green	My chime does not ring.	Incorrect circuit wiring.	Check wire connections. Shut off the power first. (Go back to step 3)
		Transformer not powerful enough.	Replace your transformer with a more powerful one.
Solid Red	My product is not responding.	Transformer not powerful enough.	Replace your transformer with a more powerful one.
Glowing Orange	My product is not responding	Internal backup power supply level is low	Leave the Smart Video Doorbell powered on its wall mount.

For further help please visit the Help Center at helpcenter.netatmo.com.

EN Troubleshooting

LED Status	Problem	Possible causes	Solutions
Off	My product does not start.	Circuit breaker is turned off.	Turn circuit breaker on.
		Incorrect circuit wiring.	Check wire connections. Shut off the power first. (Go back to step 3)
		Fuse is blown.	Make sure your chime module's selectors are in 1-HIGH position. (See step 8) Replace the Smart Video Doorbell internal fuse with the provided backup fuse. (See Fuse Replacement page XX).
Solid Green	My chime does not ring.	Incorrect circuit wiring.	Check wire connections. Shut off the power first. (Go back to step 3)
		Transformer not powerful enough.	Replace your transformer with a more powerful one.
Solid Red	My product is not responding.	Transformer not powerful enough.	Replace your transformer with a more powerful one.
Glowing Orange	My product is not responding	Internal backup power supply level is low	Leave the Smart Video Doorbell powered on its wall mount.

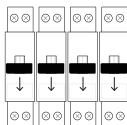
For further help please visit the Help Center at helpcenter.netatmo.com.

EN Troubleshooting

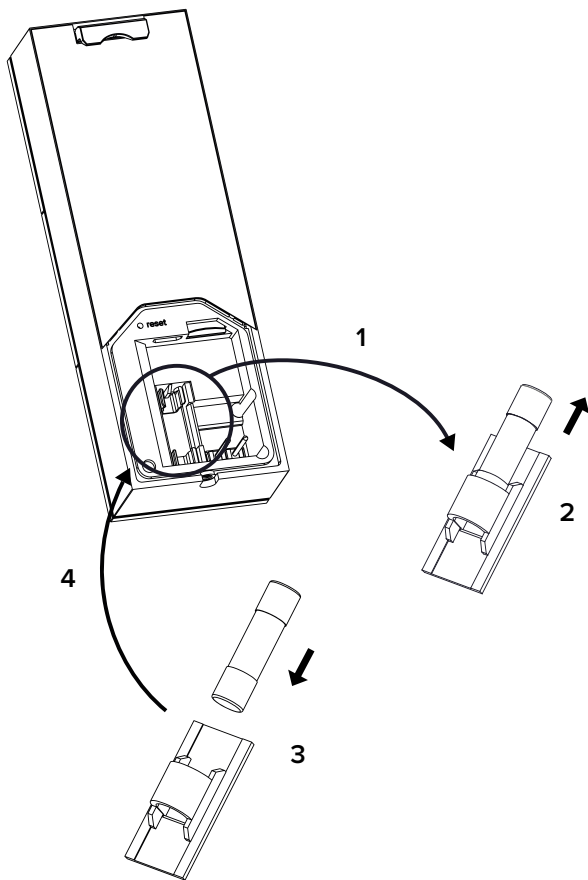
LED Status	Problem	Possible causes	Solutions
Off	My product does not start.	Circuit breaker is turned off.	Turn circuit breaker on.
		Incorrect circuit wiring.	Check wire connections. Shut off the power first. (Go back to step 3)
		Fuse is blown.	Make sure your chime module's selectors are in 1-HIGH position. (See step 8) Replace the Smart Video Doorbell internal fuse with the provided backup fuse. (See Fuse Replacement page XX).
Solid Green	My chime does not ring.	Incorrect circuit wiring.	Check wire connections. Shut off the power first. (Go back to step 3)
		Transformer not powerful enough.	Replace your transformer with a more powerful one.
Solid Red	My product is not responding.	Transformer not powerful enough.	Replace your transformer with a more powerful one.
Glowing Orange	My product is not responding	Internal backup power supply level is low	Leave the Smart Video Doorbell powered on its wall mount.

For further help please visit the Help Center at helpcenter.netatmo.com.

Fuse Replacement



OFF



EN Fuse Replacement



Disconnect power at fuse or circuit breaker before proceeding. Remove the fuseholder from the back of the doorbell and replace the damaged fuse with the **additional fuse**.

Plug the doorbell back on its wall mount and reconnect the power.

FR Remplacement de fusible



Coupez le courant au disjoncteur général avant de procéder. Retirez le porte-fusible au dos de la sonnette et remplacez le fusible endommagé avec le **fusible supplémentaire**.

Rebranchez la sonnette sur son support mural et rétablissez le courant.

DE Fuse Replacement



Disconnect power at fuse or circuit breaker before proceeding. Remove the fuseholder from the back of the doorbell and replace the damaged fuse with the **additional fuse**.

Plug the doorbell back on its wall mount and reconnect the power.

ES Fuse Replacement



Disconnect power at fuse or circuit breaker before proceeding. Remove the fuseholder from the back of the doorbell and replace the damaged fuse with the **additional fuse**.

Plug the doorbell back on its wall mount and reconnect the power.

IT Fuse Replacement



Disconnect power at fuse or circuit breaker before proceeding. Remove the fuseholder from the back of the doorbell and replace the damaged fuse with the **additional fuse**.

Plug the doorbell back on its wall mount and reconnect the power.

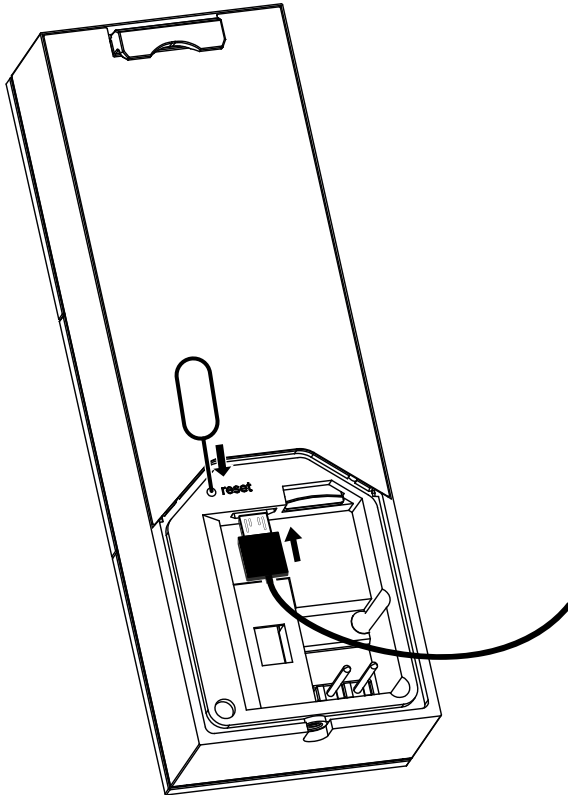
NL Fuse Replacement



Disconnect power at fuse or circuit breaker before proceeding. Remove the fuseholder from the back of the doorbell and replace the damaged fuse with the **additional fuse**.

Plug the doorbell back on its wall mount and reconnect the power.

Factory Reset



EN Factory Reset

To perform a factory reset of your doorbell, plug it on a powered USB port and press and hold the Reset button with a pin for 10 seconds.

The LED will go from blinking red to solid green.

This operation will erase all the data from the product.

FR Réinitialisation des Paramètres d'Usine

Pour rétablir les paramètres d'usine de votre sonnette, branchez-la sur un port USB alimenté et maintenez le bouton Reset appuyé pendant 10 secondes à l'aide d'une épingle.

La LED va passer du rouge clignotant au vert fix.

Cette opération effacera toutes les données du produit.

DE Factory Reset

To perform a factory reset of your doorbell, plug it on a powered USB port and press and hold the Reset button with a pin for 10 seconds.

The LED will go from blinking red to solid green.

This operation will erase all the data from the product.

ES Factory Reset

To perform a factory reset of your doorbell, plug it on a powered USB port and press and hold the Reset button with a pin for 10 seconds.

The LED will go from blinking red to solid green.

This operation will erase all the data from the product.

IT Factory Reset

To perform a factory reset of your doorbell, plug it on a powered USB port and press and hold the Reset button with a pin for 10 seconds.

The LED will go from blinking red to solid green.

This operation will erase all the data from the product.

NL Factory Reset

To perform a factory reset of your doorbell, plug it on a powered USB port and press and hold the Reset button with a pin for 10 seconds.

The LED will go from blinking red to solid green.

This operation will erase all the data from the product.



Safety Warnings

Class II electrical appliance: use only on 8-24 or 220-240 V AC 50-60Hz. Risk of electric shock or fire. A good knowledge of electrical systems is required. If not qualified, do not attempt to install. Contact a qualified electrician. Disconnect power at fuse or circuit breaker before installing or servicing. To prevent wiring damage or abrasion, do not expose wiring to sharp objects such as edges of metal sheet. Assistance may be required to support the product during installation. Handle the product with care during the installation. Sharp edges could hurt you or damage the walls. The front glass could break if hit. Broken glass should be replaced.

This device is not intended for use by persons (including children) with reduced physical, sensory or mental capabilities, or lack of experience and knowledge, unless they have been given supervision or instruction concerning use of the appliance by a person responsible for their safety. Children should be supervised to ensure that they do not play with the appliance. A readily accessible disconnect device shall be incorporated external to the equipment.

Consignes de sécurité

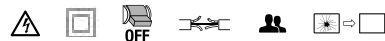
Appareil électrique de classe 2 : Supporte uniquement 8-24 et 220-240 V AC 50-60Hz. Risque de choc électrique ou d'incendie. Une bonne connaissance des systèmes électriques est nécessaire. Si vous n'êtes pas qualifié, n'essayez pas d'installer l'appareil. Contactez un électricien qualifié. Coupez le courant électrique au fusible ou au disjoncteur général avant l'installation ou l'entretien. Pour éviter l'endommagement du câblage ou l'abrasion, n'exposez pas le câblage à des objets tranchants tels que les bords d'une tôle. De l'aide peut être nécessaire lors de l'installation. Manipulez le produit avec précaution lors de l'installation. Les arêtes vives pourraient vous blesser ou endommager les murs. La vitre avant pourrait se briser en cas de choc. Le verre brisé doit être remplacé.

Cet appareil n'est pas destiné à être utilisé par des personnes (notamment des enfants) dont les capacités physiques, sensorielles ou mentales sont réduites, ou qui n'ont pas d'expérience et de connaissances, à moins qu'elles ne soient surveillées ou instruites concernant l'utilisation de l'appareil par une personne responsable de leur sécurité. Les enfants doivent être surveillés pour s'assurer qu'ils ne jouent pas avec l'appareil. Un dispositif de sectionnement facilement accessible doit être incorporé à l'extérieur du matériel.

Sicherheitshinweise

Klasse II Elektrogerät: nur verwenden bei 8-24 und 220-240 V AC 50-60Hz. Risiko eines elektrischen Schlags oder Feuer. Es ist eine gute Kenntnis der elektrischen Anlagen erforderlich. Wenn Sie nicht qualifiziert sind, versuchen Sie nicht es zu installieren. Kontaktieren Sie einen qualifizierten Elektriker. Schalten Sie den Strom der Sicherung oder Schutzschalter vor der Installation oder Wartung aus. Um Kabelschäden oder Abrieb zu verhindern, die Verdrahtung nicht scharfen Gegenständen wie Blechkanten aussetzen. Es kann sein, dass Hilfe während der Installation erforderlich ist. Behandeln Sie das Produkt während der Installation sorgfältig. Scharfe Kanten können Ihnen Schaden zufügen oder die Wände beschädigen. Das Frontglas könnte brechen, wenn es getroffen wird. Gebrochenes Glas sollte ausgetauscht werden.

Dieses Gerät darf nicht von Personen (einschließlich Kindern) verwendet werden, deren körperliche, sensorische oder geistige Fähigkeiten beeinträchtigt sind oder die keine Erfahrung und kein Wissen haben, es sei denn, sie werden beaufsichtigt oder von einer für ihre Sicherheit verantwortlichen Person in die Benutzung des Geräts eingewiesen wurde. Kinder sollten beaufsichtigt werden, um sicherzustellen, dass sie nicht mit dem Gerät spielen. Eine leicht zugängliche Trennvorrichtung ist außerhalb des Geräts anzubringen.



Advertencias de seguridad

Dispositivo eléctrico de clase II: utilizar sólo a 8-24 y 220-240 V CA 50-60Hz. Riesgo de descarga eléctrica o incendio. Se requiere un buen conocimiento de los sistemas eléctricos. Si no estás cualificado, no intentes realizar la instalación. Ponte en contacto con un electricista cualificado. Antes de la instalación o puesta en funcionamiento, desconecta la alimentación del fusible o el disyuntor. Para evitar que los cables se dañen o abrasen, no expongas el cableado a objetos afilados como los bordes de las hojas de metal. Puede ser que se requiera asistencia durante la instalación. Trata el producto con cuidado durante la instalación. Los cantos afilados pueden causarte heridas o dañar las paredes. El cristal de la parte delantera se puede romper si recibe un golpe. El cristal roto se debe sustituir.

Este dispositivo no está diseñado para ser utilizado por personas (incluidos niños) cuyas capacidades físicas, sensoriales o mentales sean reducidas, o que no tengan experiencia ni conocimientos, a menos que sean supervisados o instruidos en el uso del dispositivo por una persona responsable de su seguridad. Los niños deben ser supervisados para asegurarse de que no jueguen con el dispositivo. Un dispositivo de desconexión fácilmente accesible debe ser incorporado al exterior del producto.

Avvertenze di sicurezza

Apparecchio elettrico di Classe II: utilizzare solo con 8-24 e 220-240 V AC 50-60Hz. Rischio elettrico o pericolo di incendio. Per eseguire l'installazione è richiesta una buona conoscenza dei sistemi di elettricità. In caso contrario, non effettuare nessun tentativo di installazione. Rivolgersi ad un elettricista professionista. Staccare i fusibili o disattivare il contatore, prima dell'installazione o di una eventuale riparazione. Per evitare danni o abrasioni ai cavi, tenerli lontano da oggetti affilati, come estremità di fogli metallici. Durante l'installazione potrebbe essere necessaria assistenza. Maneggiare il dispositivo con cura durante l'installazione. Le estremità affilate possono provocare danni alle persone e alle pareti. Il vetro anteriore del dispositivo può frantumarsi, se viene urtato. In questo caso, è necessario sostituirlo.

Questo dispositivo non è destinato all'uso da parte di persone (inclusi i bambini) con capacità fisiche, sensoriali o mentali ridotte, o che non abbiano l'esperienza e le conoscenze necessarie, a meno che non siano stati supervisionati o istruiti sull'uso dell'apparecchio da parte di una persona responsabile della loro sicurezza. I bambini devono essere sorvegliati per assicurarsi che non giochino con l'apparecchio. Deve essere predisposto nelle immediate vicinanze e facilmente accessibile un dispositivo di disconnessione.

Veiligheidswaarschuwingen

Klasse II elektrisch apparaat: gebruik alleen met 100-240 V AC 50-60Hz. Risico op elektrische schok of brand. Een goede kennis van elektrische systemen is vereist. Indien u niet gekwalificeerd bent, installeer dit product dan niet zelf. Neem contact op met een gekwalificeerd elektricien. Schakel de stroom uit bij de zekering of stroomonderbreker voordat u aan de installatie of het onderhoud begint. Stel de bedrading niet bloot aan scherpe objecten, zoals randen van metaalplaat, om schade en slijtage aan de bedrading te voorkomen. Tijdens de installatie heeft u mogelijk hulp nodig. Ga zorgvuldig met het product om tijdens de installatie. Scherpe randen kunnen u pijn doen of de muren beschadigen. Het glas aan de voorkant kan breken wanneer u er tegenaan stoot. Gebroken glas moet worden vervangen.

Dit apparaat is niet bedoeld voor gebruik door personen (inclusief kinderen) van wie de fysieke, sensorische of mentale vermogens zijn verminderd of die geen ervaring en kennis hebben, tenzij ze onder toezicht staan of geïnstrueerd in het gebruik van het apparaat door een persoon die verantwoordelijk is voor hun veiligheid. Houd toezicht op kinderen om ervoor te zorgen dat ze niet met het apparaat spelen. Een gemakkelijk toegankelijk scheidingsapparaat moet buiten de apparatuur worden geïnstalleerd.

EU Declaration of Conformity

български [Bulgarian] - С настоящото NETATMO декларира, че този тип радиосъоръжение NDB01 е в съответствие с Директива 2014/53/ЕС.

Цялостният текст на ЕС декларацията за съответствие може да се намери на следния интернет адрес:

Česky [Czech] - Tímto NETATMO prohlašuje, že typ rádiového zařízení NDB01 je v souladu se směrnicí 2014/53/EU.

Úplné znění EU prohlášení o shodě je k dispozici na této internetové adrese:

Dansk [Danish] - Hermed erklærer NETATMO, at radioudstyrstypen NDB01 er i overensstemmelse med direktiv 2014/53/UE.

EU-overensstemmelseserklæringens fulde tekst kan findes på følgende internetadresse:

Deutsch [German] - Hiermit erkläre NETATMO, dass der Funkanlagentyp NDB01 der Richtlinie 2014/53/EU entspricht.

Der vollständige Text der EU-Konformitätserklärung ist unter der folgenden Internetadresse verfügbar:

Eesti [Estonian] - Käesolevaga deklareerib NETATMO, et käesolev raadioseadme tüüp NDB01 vastab direktiivi 2014/53/EL nõuetele.

ELi vastavusdeklaratsiooni täielik tekst on kättesaadav järgmisel internetiaadressil:

English - Hereby, NETATMO, declares that the radio equipment type NDB01 is in compliance with Directive 2014/53/EU.

The full text of the EU declaration of conformity is available at the following internet address:

Español [Spanish] - Por la presente, NETATMO declara que el tipo de equipo radioeléctrico NDB01 es conforme con la Directiva 2014/53/UE.

El texto completo de la declaración UE de conformidad está disponible en la dirección Internet siguiente:

Ελληνική [Greek] Με την παρούσα ο/η NETATMO, δηλώνει ότι ο ραδιοεξοπλισμός NDB01 πληροί την οδηγία 2014/53/ΕΕ.

Το πλήρες κείμενο της δήλωσης συμμόρφωσης ΕΕ διατίθεται στην ακόλουθη ιστοσελίδα στο διαδίκτυο:

Suomi [Finnish] - NETATMO vakuuttaa, että radiolaitetyyppi NDB01 on direktiivin 2014/53/EU mukainen.

EU-vaatimustenmukaisuusvakuutuksen täysimittainen teksti on saatavilla seuraavassa internetosoitteessa:

Français [French] - Le soussigné, NETATMO, déclare que l'équipement radioélectrique du type NDB01 est conforme à la directive 2014/53/UE.

Le texte complet de la déclaration UE de conformité est disponible à l'adresse internet suivante:

Hrvatski [Croatian] - NETATMO ovime izjavljuje da je radijska oprema tipa NDB01 u skladu s Direktivom 2014/53/EU.

Cjeloviti tekst EU izjave o sukladnosti dostupan je na sljedećoj internetskoj adresi:

Magyar [Hungarian] - NETATMO igazolja, hogy a NDB01 típusú rádióberendezés megfelel a 2014/53/EU irányelvnek.

Az EU-megfelelőségi nyilatkozat teljes szövege elérhető a következő internetes címen:

Italiano [Italian] - Il fabbricante, NETATMO, dichiara che il tipo di apparecchiatura radio NDB01 è conforme alla direttiva 2014/53/UE.

Il testo completo della dichiarazione di conformità UE è disponibile al seguente indirizzo Internet:

Latviski [Latvian] - Ar šo NETATMO deklarē, ka radioiekārta NDB01 atbilst Direktīvai 2014/53/ES.

Pilns ES atbilstības deklarācijas teksts ir pieejams šādā interneta vietnē:

Lietuvių [Lithuanian] - Aš, NETATMO, patvirtinu, kad radijo įrenginių tipas NDB01 atitinka Direktyvą 2014/53/ES.

Visas ES atitikties deklaracijos tekstas prieinamas šiuo interneto adresu:

Malti [Maltese] - B'dan, NETATMO, niddikjara li dan it-tip ta' taghmir tar-radju NDB01 huwa konformi mad-Direttiva 2014/53/UE.

It-test kollu tad-dikjarazzjoni ta' konformità tal-UE huwa disponibbli f'dan l-Indirizz tal-Internet li ġe:

Nederlands [Dutch] - Hierbij verklaar ik, NETATMO, dat het type radioapparatuur NDB01 conform is met Richtlijn 2014/53/EU.

De volledige tekst van de EU-conformiteitsverklaring kan worden geraadpleegd op het volgende internetadres:

Norsk [Norwegian] - Netatmo erklærer herved at radioutstyrstypen NDB01 er i samsvar med direktiv 2014/53/EU.

Den fullstendige EU-samsvarserklæringen er tilgjengelig på følgende nettadresse:

Polski [Polish] - NETATMO niniejszym oświadczam, że typ urządzenia radiowego NDB01 jest zgodny z dyrektywą 2014/53/UE.

Pełny tekst deklaracji zgodności UE jest dostępny pod następującym adresem internetowym:

Português [Portuguese] - O abaixo assinado NETATMO declara que o presente tipo de equipamento de rádio NDB01 está em conformidade com a Diretiva 2014/53/UE.

O texto integral da declaração de conformidade está disponível no seguinte endereço de Internet:

Slovensky [Slovak] - NETATMO týmto vyhlasuje, že rádiové zariadenie typu NDB01 je v súlade so smernicou 2014/53/EÚ.

Úplné EÚ vyhlásenie o zhode je k dispozícii na tejto internetovej adrese:

Slovensko [Slovenian] - NETATMO potrjuje, da je tip radijske opreme NDB01 skladen z Direktivo 2014/53/EU.

Celotno besedilo izjave EU o skladnosti je na voljo na naslednjem spletnem naslovu:

Svenska [Swedish] - Härmed försäkrar NETATMO att denna typ av radioutrustning NDB01 överensstämmer med direktiv 2014/53/EU.

Den fullständiga texten till EU-försäkran om överensstämmelse finns på följande webbadress:

Türkçe [Turkish] - İşbu vesile ile NETATMO; radyo ekipman tipinin NDB01, 2014/53/AB Yönetmeliği ile uyumlu olduğunu beyan eder.

AB uygunluk beyanının tam metni, aşağıdaki İnternet adresinde mevcuttur:

www.netatmo.com/declaration/ndb

FCC Statement

This equipment has been tested and found to comply with the limits for a Class B digital device, pursuant to part 15 of the FCC rules. These limits are designed to provide reasonable protection against harmful interference in a residential installation.

This equipment generates, uses and can radiate radio frequency energy and, if not installed and used in accordance with the instructions, may cause harmful interference to radio communications. However, there is no guarantee that interference will not occur in a particular installation.

If this equipment does cause harmful interference to radio or television reception, which can be determined by turning the equipment off and on, the user is encouraged to try to correct the interference by one or more of the following measures:

- Reorient or relocate the receiving antenna.
- Increase the separation between the equipment and receiver.
- Connect the equipment into an outlet on a circuit different from that to which the receiver is connected.
- Consult the dealer or an experienced radio/TV technician for help.

This device NDB01 complies with Part 15 of the FCC Rules. Operation is subject to the following two conditions: (1) This device may not cause harmful interference, and (2) this device must accept any interference received, including interference that may cause undesired operation.

FCC Radiation Exposure Statement

This device complies with FCC RF radiation exposure limits set forth for general population (uncontrolled exposure). This device must be installed to provide a separation distance of at least 20cm from all persons and must not be collocated or operating in conjunction with any other antenna or transmitter.

Caution

This equipment may not be modified, altered, or changed in any way without signed written permission from NETATMO. Unauthorized modification may void the equipment authorization from the FCC and will void the NETATMO warranty.

Canadian Compliance Statement

This device complies with Industry Canada licence-exempt RSS standard(s). Operation is subject to the following two conditions: (1) this device may not cause interference, and (2) this device must accept any interference, including interference that may cause undesired operation of the device. Under Industry Canada regulations, this radio transmitter may only operate using an antenna of a type and maximum (or lesser) gain approved for the transmitter by Industry Canada. To reduce potential radio interference to other users, the antenna type and its gain should be so chosen that the equivalent isotropically radiated power (e.i.r.p.) is not more than that necessary for successful communication. This device complies with Industry Canada RF radiation exposure limits set forth for general population (uncontrolled exposure). This device must be installed to provide a separation distance of at least 20cm from all persons and must not be collocated or operating in conjunction with any other antenna or transmitter. Le présent appareil est conforme aux CNR d'Industrie Canada applicables aux appareils radio exempts de licence. L'exploitation est autorisée aux deux conditions suivantes: (1) il ne doit pas produire de brouillage, et (2) l'utilisateur du dispositif doit être prêt à accepter tout brouillage radioélectrique reçu, même si ce brouillage est susceptible de compromettre le fonctionnement du dispositif. Le présent appareil est conforme aux niveaux limites d'exigences d'exposition RF aux personnes définies par Industrie Canada. Cet appareil doit être installé afin d'offrir une distance de séparation d'au moins 20cm avec l'utilisateur, et ne doit pas être installé à proximité ou être utilisé en conjonction avec une autre antenne ou un autre émetteur.

Taiwan Wireless Statements

無線設備的警告聲明

本產品符合低功率電波輻射性電機管理辦法 第十二條、十四條等條文規定:

- 1.經型式認證合格之低功率射頻電機，非經許可，公司、商號或使用者均不得擅自變更頻率、加大功率或變更原設計之特性及功能。
- 2.低功率射頻電機之使用不得影響飛航安全及干擾合法通信；經發現有干擾現象時，應立即停用，並改善至無干擾時方得繼續使用。前項合法通信，指依電信法規定作業之無線電通信。低功率射頻電機須忍受合法通信或工業、科學醫療用電波輻射性電機設備之干擾。

Wireless connectivity / Connexion sans-fil / Drahtlose Konnektivität / Conexión inalámbrica / Connessione senza fili / Draadloze connectiviteit / Trådlös anslutning / Trådløs tilkobling / Беспроводная связь / 无线连接 / 無線連接 / ワイヤレス接続

Wi-Fi and Bluetooth: 2400-2483,5 MHz @ 80 mW

Legal Notice

Use of the Works with Apple HomeKit badge means that an electronic accessory has been designed to connect specifically to iPod touch, iPhone, or iPad, respectively, and has been certified by the developer to meet Apple performance standards. Apple is not responsible for the operation of this device or its compliance with safety and regulatory standards.

Controlling this HomeKit-enabled accessory automatically and away from home requires an Apple TV with tvOS 10.x or later or an iPad with iOS 10.x or later set up as a home hub.

Apple and the Apple logo are trademarks of Apple Inc., registered in the U.S. and other countries. App Store is a service mark of Apple Inc.

Android, Google, Google Play and related marks and logo are trademarks of Google LLC.



CE marking is the manufacturer's declaration that the product meets the requirements of the applicable EC directives.



The product meets the safety requirements specified for Class II equipment according to IEC 61140.



The product complies with the requirements of the relevant ACMA Standards.



WEEE symbol designates safe and responsible collection, recycling and recovery procedures for all types of electronic waste.



The product complies with the Technical Regulations Conformity Certification of Specified Radio Equipment.

M/N: Model Number

The product complies with the limits for a Class B digital device, pursuant to part 15 of the FCC rules (USA).

FCC ID:

IC: The product complies with Industry Canada license-exempt RSS standard(s).

gXXXXXX Serial number



8-24
50/60Hz
160mA
220-240
50/60Hz
13mA
The product requires an AC power supply to operate properly. It accepts voltage from 8 to 24V or from 220 to 240V, with a frequency from 50Hz to 60Hz.



Installation and safety instructions must be read carefully before use.



Caution is necessary when operating the device.



 <https://helpcenter.netatmo.com>



M/N: NDB01
FCC ID: N3A-NDB01
IC : 10860A-NDB01

Copyright Netatmo © 2019 All rights reserved. Reproduction and distribution prohibited without written authorization from Netatmo