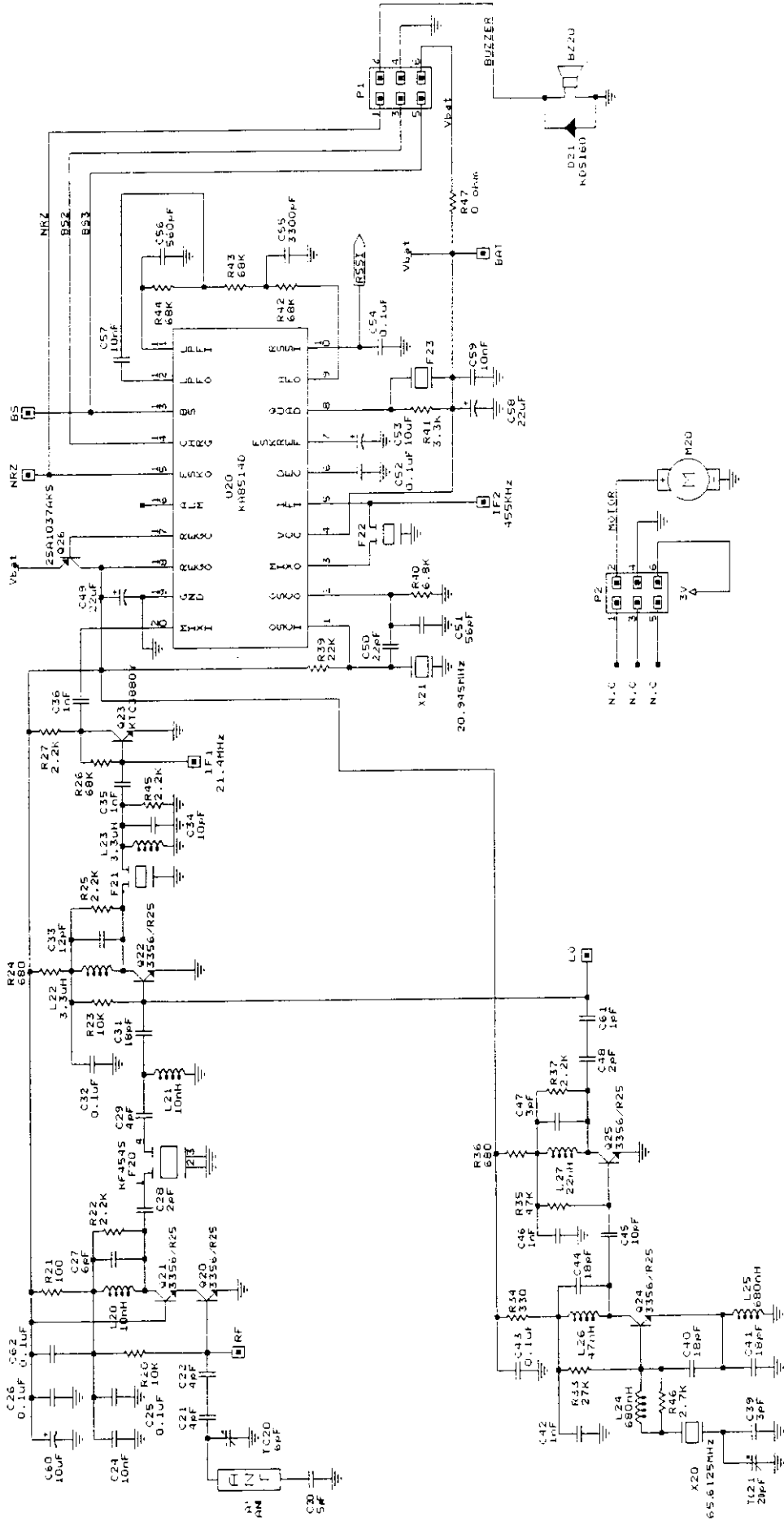


INP-450 RF CIRCUIT I



BRAND	APEX
MODEL	INP-450
DATE	98.7.29.
REV.	0
MAKER	INTRON