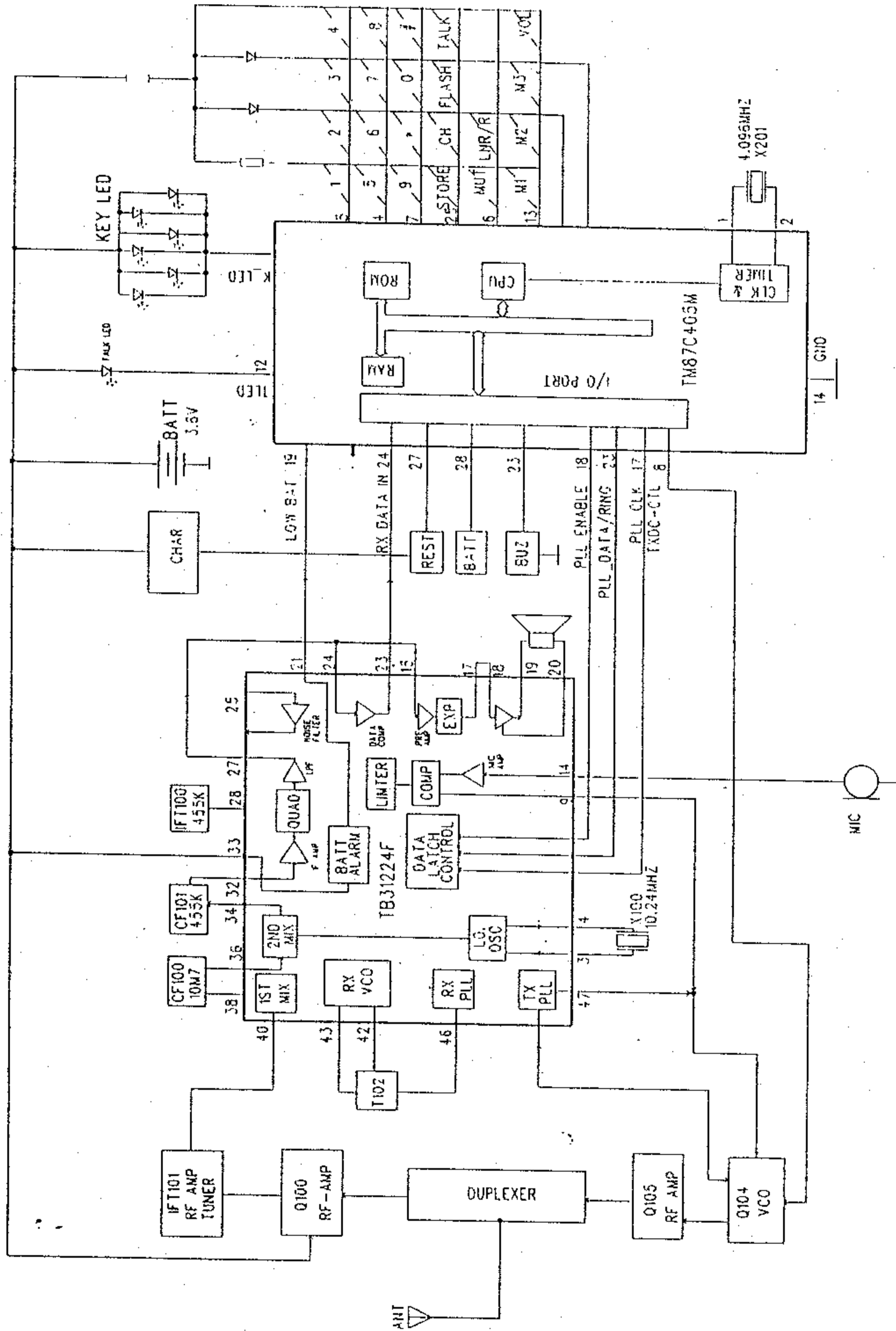
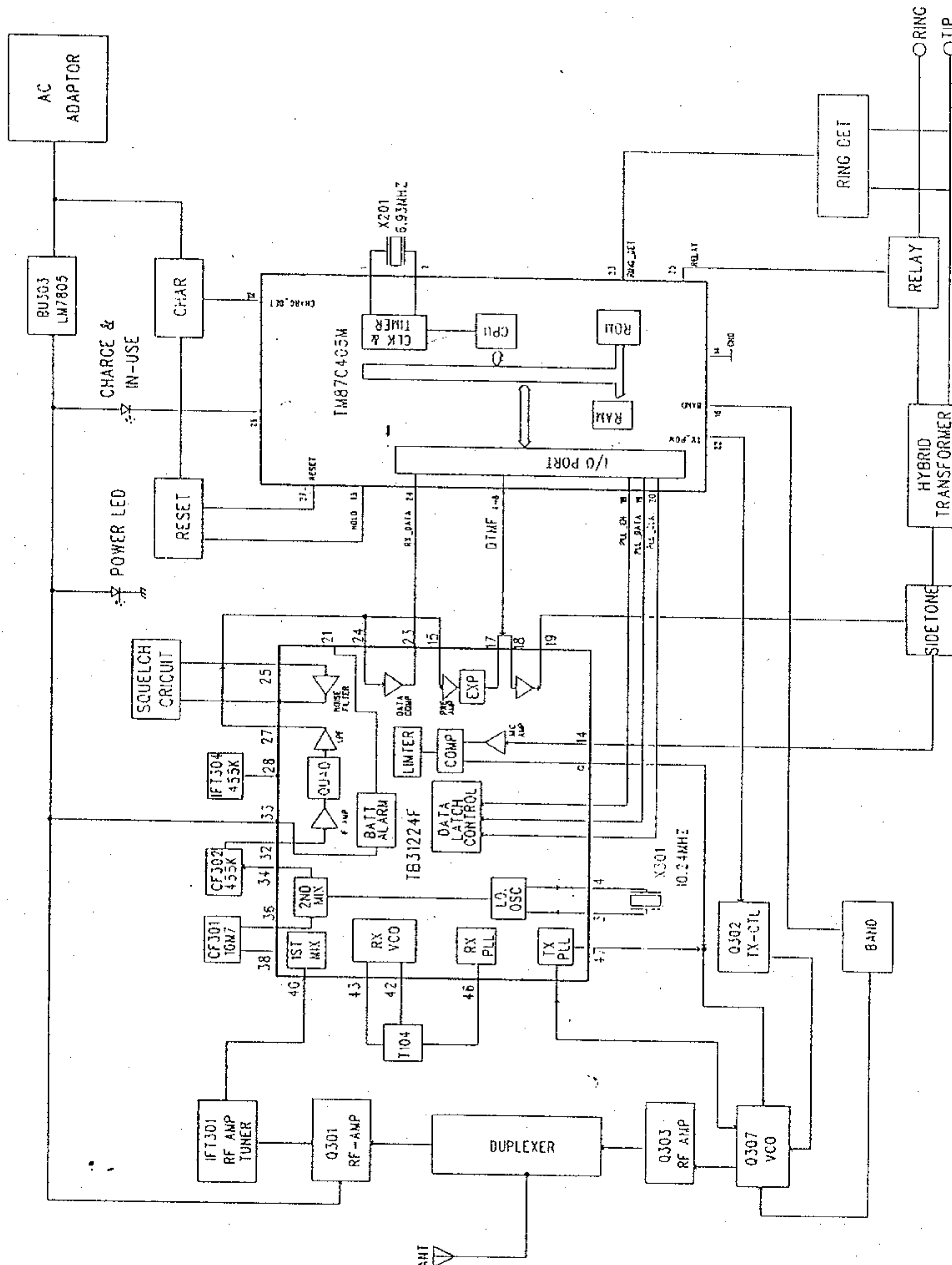


1. HANDSET BLOCK DIAGRAM



M:\MANUAL\COMMU\BU\G866ME.ASC (1:1)

1. BASESET BLOCK DIAGRAM



M:\MANUAL\COMMU\BU\6866USA.ASC (1:1)