

PRYME® RADIO PRODUCTS

PRYME BLU® ADAPTER USER'S GUIDE For Compatible Wireless Audio Accessories

The PRYME BLU Adapter allows you to use a compatible wireless headset or other audio accessory with your two-way radio.



Bluetooth Adapter
Model No.: BT-533/BT-511
Made in Taiwan
FCC ID: N2E-BT533

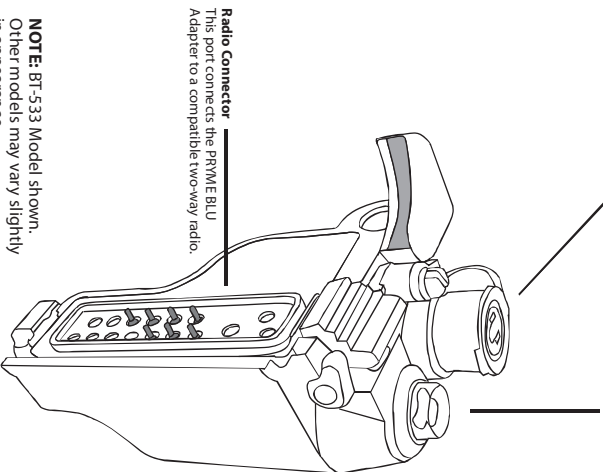
This manual applies to all PRYME BLU BT-500 series adapters EXCEPT the BT-583

PRYME® and PRYME BLU™ are trademarks owned by PRYME Radio Products, Brea, CA. All other product or service names are the property of their respective owners.
© 2009-2010 PRYME Radio Products, Brea CA. All Rights Reserved

Controls and Connection

Quick Disconnect Accessory Port
Allows the connection of a PRYME OD series wired audio accessory, such as a push-to-talk, earpiece, or auxiliary microphone. (Not present on all models.)

Multi-Function Talk Switch / Status LED
Used to place the PRYME BLU Adapter in pairing mode. The LED flashes messages that let the user know the current status of the PRYME BLU Adapter. Once paired with an audio accessory, this switch is used to activate the Push-to-Talk function of the two-way radio.



Radio Connector
This port connects the PRYME BLU Adapter to a compatible two-way radio.

NOTE: BT-533 Model shown. Other models may vary slightly in appearance.

2

Federal Communication Commission Interference Statement

This equipment has been tested and found to comply with the limits for a Class B digital device, pursuant to Part 15 of the FCC Rules. These limits are designed to provide reasonable protection against harmful interference in a residential installation. This equipment generates uses and can radiate radio frequency energy and, if not installed and used in accordance with the instructions, may cause harmful interference to radio communications. However, there is no guarantee that interference will not occur in a particular installation. If this equipment does cause harmful interference to radio or television reception, which can be determined by turning the equipment off and on, the user is encouraged to try to correct the interference by one of the following measures:
-Reorient or relocate the receiving antenna.
-Increase the separation between the equipment and receiver.
-Connect the equipment into an outlet on a circuit different from that to which the receiver is connected.
-Consult the dealer or an experienced radio/TV technician for help.

FCC Caution: Any changes or modifications not expressly approved by the party responsible for compliance could void the user's authority to operate this equipment.

This device complies with Part 15 of the FCC Rules. Operation is subject to the following two conditions: (1) This device may not cause harmful interference, and (2) this device must accept any interference received, including interference that may cause undesired operation.

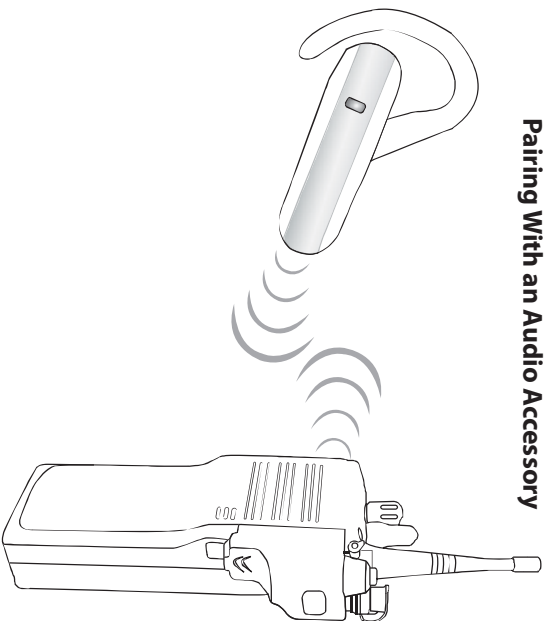
This equipment complies with FCC RF radiation exposure limits set forth for an uncontrolled environment. To maintain compliance with FCC RF exposure compliance requirements, please avoid direct contact to the transmitting antenna during transmitting.

PRYME® RADIO PRODUCTS

911 Mariner St., Brea, CA 92821
PH: 714.257.0300 FAX: 714.257.0600
TOLL FREE: 800.666.2854
WWW.PRYME.COM

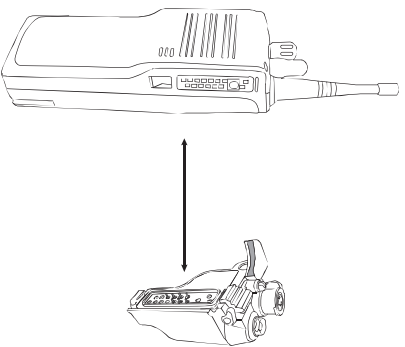
version 1.1 July 2010

Pairing With an Audio Accessory



- QUICK START**
1. Connect the PRYME BLU adapter to a compatible two-way radio
 2. Pair the PRYME BLU Adapter with a compatible wireless audio accessory.
 3. Connect a wired audio or PTT accessory to the Quick-Disconnect accessory port on the PRYME BLU Adapter (optional). **NOTE:** Not all models have a QD jack.
 4. Test and use.

Connecting the Adapter to Radio



STEP ONE: Connecting to Two-Way Radio

- To connect your PRYME BLU Adapter to a two-way radio, follow these steps:
- * Always turn off your two-way radio before connecting the PRYME BLU Adapter.
 - * Plug the PRYME BLU Adapter into the speaker-microphone / audio accessory jack of your two-way radio.
 - * On some models of two-way radio, you may need to tighten a retaining screw to ensure that the PRYME BLU Adapter remains attached to the radio
 - * Turn on your two-way radio and verify that the radio transmits and receives with the adapter attached.
 - * Because no wireless audio accessory will yet be paired to the PRYME BLU Adapter, received signals should be heard over the radio's internal speaker and transmitted signals will be sent using the radio's internal microphone.
 - * The Talk button on the PRYME BLU Adapter will not function as a Push-to-Talk button for your two-way radio until a wireless audio accessory is successfully paired to the adapter, or a wired audio accessory is plugged into the Quick-Disconnect port.

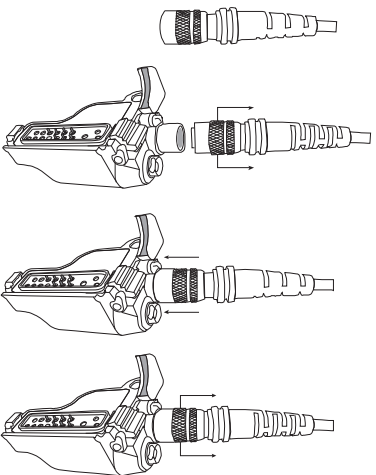
3

STEP TWO: Pairing with an Audio Accessory

- * Turn off the radio that the PRYME BLU Adapter is connected to. Wait at least three seconds.
- * Turn the radio on while holding down the Talk button on the PRYME BLU Adapter.
- * Continue to hold the talk button down for approximately three seconds. Release the Talk button when the status LED begins to flash two times per second.
- * The PRYME BLU Adapter is now in audio accessory pairing mode. Activate the pairing mode on your compatible wireless audio accessory.
- * Once the wireless audio accessory and PRYME BLU Adapter are paired with each other, the status LED on the adapter will show a constant blue light for three seconds.
- * If the PRYME BLU Adapter does not detect a compatible wireless accessory within 60 seconds of being put into pairing mode, the adapter will exit the pairing mode and resume normal operation.
- * Once successfully paired, you will be able to operate your two-way radio using your compatible wireless accessory.

4

Connecting a Wired Audio Accessory to the PRYME BLU Adapter



STEP THREE: Using a PRYME Quick-Disconnect/Wired Audio Accessory (Optional)

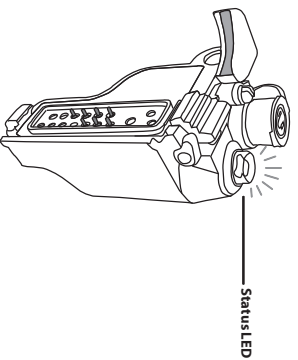
- The Quick-Disconnect port on the PRYME BLU Adapter allows the connection of a compatible wired PRYME QD series accessory. This includes compatible ear phones, surveillance kits, remote microphones, and Push-to-Talk accessories. **NOTE: some models do not have QD Jack. Wired accessories cannot be connected to these models.**
- To connect a wired accessory, first turn off the two-way radio that the PRYME BLU Adapter is connected to.
 - * Lift up and remove the protective jacket covering the Quick-Disconnect port on the PRYME BLU Adapter to expose the connector.
 - * Align the Quick-Disconnect connector of the audio adapter with the Quick-Disconnect port on the PRYME BLU Adapter and push the connectors together gently until they click into place.
- NOTE: the male and female ends of the quick release connectors are keyed so they must be properly aligned before the two halves can be pushed together.
- To remove a wired accessory that has been installed, gently lift up on the outer cover of the Quick-Disconnect connector until the accessory is released and then pull up to remove the accessory.

5

STATUS LED MESSAGES

The meanings of the various status LED messages shown by the PRYME BLU Adapter are shown on the following table:

LED INDICATION	MEANING
One flash per minute	No mal operation
Two flashes per minute	Audio accessory pairing mode active
One long flash for three seconds	Successfully paired or re-paired
No indication	Radio is turned off



TROUBLESHOOTING

My wireless audio accessory will not pair with the PRYME BLU Adapter.

Follow the instructions to place the PRYME BLU Adapter into the correct pairing mode and then activate the pairing mode on the accessory. Make sure that the PRYME BLU Adapter and accessory being paired are within one meter of each other.

My wireless audio accessory or worked before, but is not working now.

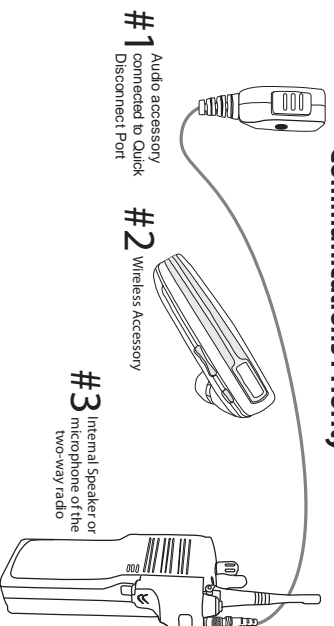
Make sure that the PRYME BLU adapter is properly connected to the two-way radio and that the radio is turned on. Ensure that your wireless audio accessory has a fully charged battery and is turned on. If the device will still not work, re-pair the PRYME BLU adapter to the wireless accessories.

My radio shows "keyloader" on the LCD when I press the Talk button of the PRYME BLU Adapter.

When you press the talk key with no wireless headset paired, the radio believes a keyloader is attached to the radio. Disable the keyloader function in the radio's programming software or pair a wireless accessory with the adapter.

7

Communications Priority



STEP FOUR: Transmit and Receive Operation

The PRYME BLU Adapter will automatically route radio calls based on the following priority:

- * If an audio accessory is connected to the Quick-Disconnect Port of the PRYME BLU Adapter, radio calls will be routed to this accessory. *(Does not apply on models with no QD Jack)*
 - * If no wired accessory is connected, calls will be routed to a wireless accessory, if one is paired with the PRYME BLU Adapter.
 - * If no wireless headset or audio accessory is paired to the PRYME BLU Adapter or the wireless accessory is turned off, calls will be routed to the internal speaker of the two-way radio.
- NOTE:** When a new accessory is connected, paired, disconnected, or powered off, it may take several seconds for the audio from received radio calls to be routed appropriately.

Push-to-Talk can be activated by any of the following methods:

- * Pressing and holding the Talk button of the PRYME BLU Adapter.
- * Using the PTT button on a wired PRYME Quick-Disconnect accessory, if one is connected to the PRYME BLU Adapter. *(Does not apply on models with no QD Jack)*

When transmitting, the operator's voice is picked-up by:

- * The microphone in the wired audio accessory connected to the Quick-Disconnect port on the PRYME BLU Adapter. *(Does not apply on models with no QD Jack)*
- * If no wired audio accessory with a microphone is connected, the microphone in the paired wireless audio accessory will be used.
- * If no audio accessory is paired with the PRYME BLU Adapter, or the paired wireless audio accessory is turned off, the internal microphone in the attached two-way radio will be used.

6

SUPPORT AND WARRANTY

PRYME Radio Products warrants this product against defects in materials or workmanship for a period of one year from the date of retail purchase. PRYME will repair or replace a defective unit, at our option, without charge for parts or labor. The limited warranty is extended only to the original purchaser and is valid only to consumers in the United States and Canada. It does not cover damage or failure caused by or attributable to Acts of God, abuse, misuse, improper or abnormal usage, faulty installation, improper maintenance, lightning, or other incidences of excessive voltage, or any tampering or repairs by other than a PRYME authorized repair facility. It does not cover replacement of consumable parts, transportation costs, or damage in transit.

Repair or replacement under the terms of this warranty does not extend the terms of this warranty. This warranty can only be modified by an officer of PRYME Radio Products, and then only in writing. Should this product prove defective in workmanship or material, the consumer's sole remedies shall be such repair or replacement as provided by the terms of this warranty. Under no circumstances shall PRYME Radio Products be liable for any loss or damage, direct, consequential, or incidental, arising out of the use of or inability to use this product. Some states do not allow limitations on how long an implied warranty lasts or the exclusions or limitations of incidental or consequential damages, so the above limitations or exclusions may not apply to you. This warranty gives you specific legal rights. You may also have other rights, which may vary from state to state.

For support or warranty service on your PRYME product, contact us at 1-800-666-2654 or visit us on the web at www.PRYME.com.

COPYRIGHT AND TRADEMARK INFO

© 2009-2010 PRYME Radio Products, Brea CA. All rights reserved.
 PRYME™ and PRYME BLU™ are trademarks owned by PRYME Radio Products. All other product or service names are the property of their respective owners.

DISCLAIMER: The bluetooth wireless link used by PRYME BLU products is an open standard, unsecured technology. As such, it is not recommended for first-responder or other mission critical users.