

TELEFIELD		Internet Phone PD180	
DRAWN: Li Hu	DATE: JAN.09.02	CS-C01-B012-00	
CHK: Li Hu	DATE: JAN.09.02		
APP: Peter Chan	DATE: JAN.09.02	A4	BS MAIN BOARD
RELEASE: Peter Chan	DATE: JAN.09.02	SCALE: 1:1	SHEET: 1 OF 3

1

2

3

4

5

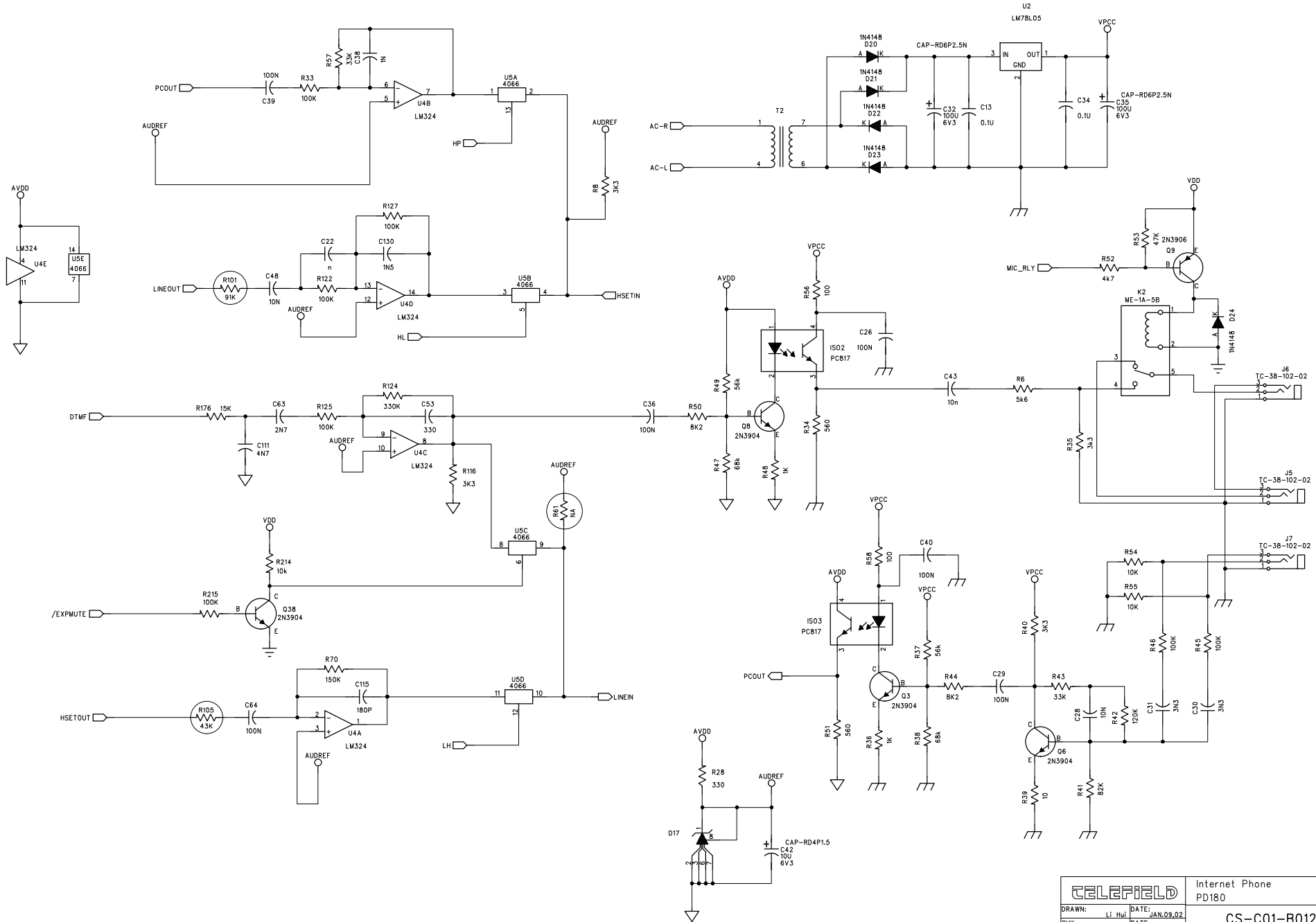
6

A

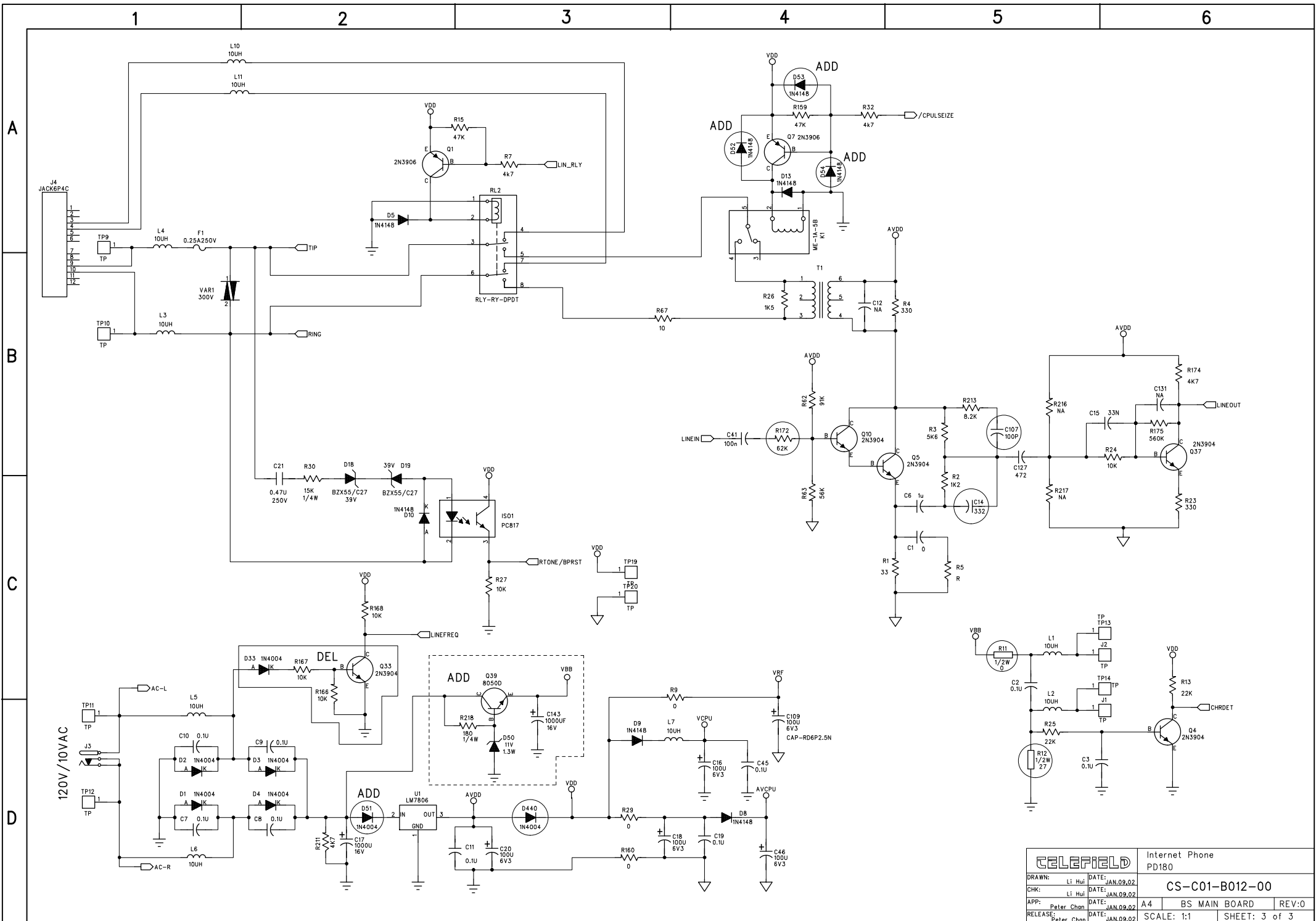
B

C

D



TELEFIELD		Internet Phone PD180	
DRAWN: Li Hu	DATE: JAN 09 02	CS-C01-B012-00	
CHK: Li Hu	DATE: JAN 09 02		
APP: Peter Chan	DATE: JAN 09 02	A4	BS MAIN BOARD
RELEASE: Peter Chan	DATE: JAN 09 02	SCALE: 1:1	SHEET: 2 OF 3



TELEFIELD		Internet Phone PD180		
DRAWN: Li Hu	DATE: JAN 09 02	CS-C01-B012-00		
CHK: Li Hu	DATE: JAN 09 02			
APP: Peter Chan	DATE: JAN 09 02	A4	BS MAIN BOARD	REV:0
RELEASE: Peter Chan	DATE: JAN 09 02	SCALE: 1:1	SHEET: 3 of 3	

1

2

3

4

5

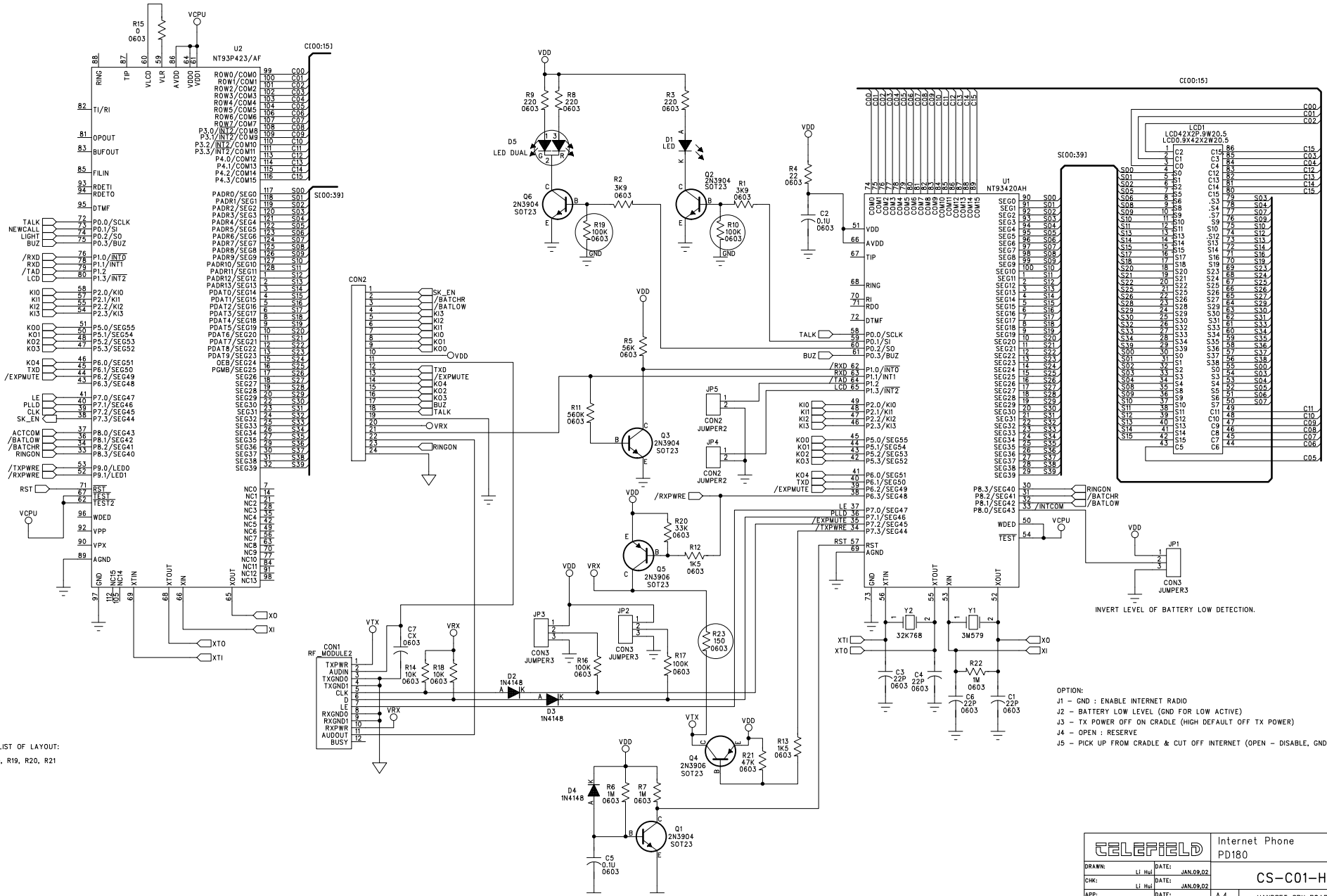
6

A

B

C

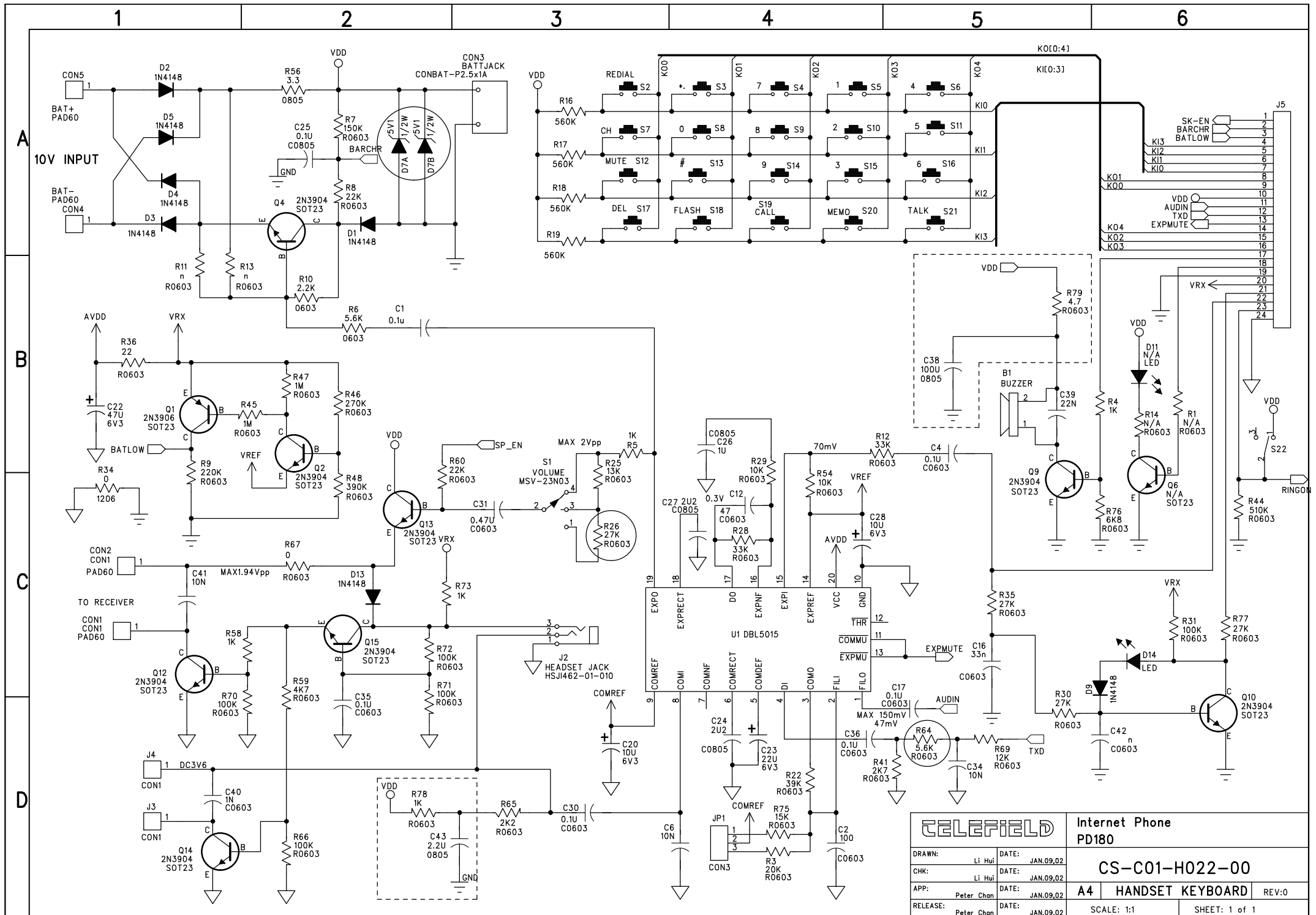
D



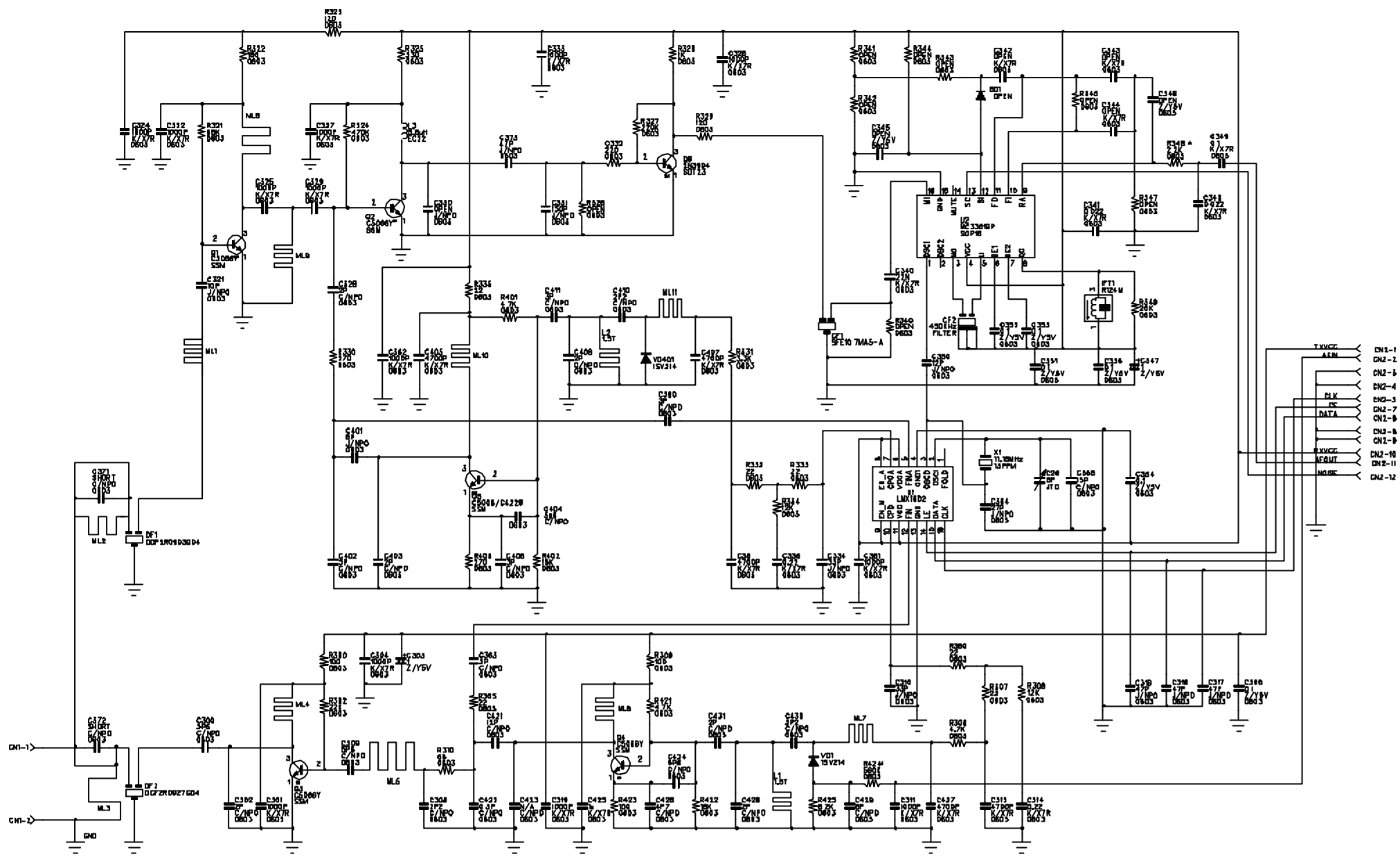
TO DO LIST OF LAYOUT:
ADD R10, R19, R20, R21

- OPTION:
 J1 - GND : ENABLE INTERNET RADIO
 J2 - BATTERY LOW LEVEL (GND FOR LOW ACTIVE)
 J3 - TX POWER OFF ON CRADLE (HIGH DEFAULT OFF TX POWER)
 J4 - OPEN : RESERVE
 J5 - PICK UP FROM CRADLE & CUT OFF INTERNET (OPEN - DISABLE, GND- ENA)

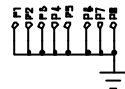
		Internet Phone	
		PD180	
DRAWN: LI_HH CHK: LI_HH APP: Peter Chan RELEASE: Peter Chan	DATE: JAN.09.02 DATE: JAN.09.02 DATE: JAN.09.02 DATE: JAN.09.02	CS-C01-H012-00	
A4		HANSET CPU BOARD	REV:0
SCALE: 1:1		SHEET: 1 OF 1	



TELEFIELD		Internet Phone PD180	
		CS-C01-H022-00	
DRAWN: Li Hui	DATE: JAN.09.02	A4	HANDSET KEYBOARD
CHK: Li Hui	DATE: JAN.09.02	REV:0	
APP: Peter Chan	DATE: JAN.09.02	SCALE: 1:1	
RELEASE: Peter Chan	DATE: JAN.09.02	SHEET: 1 of 1	



- DN1-1 T.VMCT
- DN2-2 ARM
- DN2-3
- DN2-4
- DN2-5
- DN2-6
- DN2-7
- DN2-8
- DN2-9
- DN2-10
- DN2-11
- DN2-12



DRAWN	DATED 21-SEP-1991	COMPANY TELEFIELD	
CHECKED	DATED	TITLE FF2150 TELEFIELD RF MODULE(HANDSET)	
QUALITY CONTROL	DATED	PCB FILE#	
RELEASED	DATED	SCALE:	SIZE: A3 REV 3
		CODE:	DRAWING NO SHEET OF