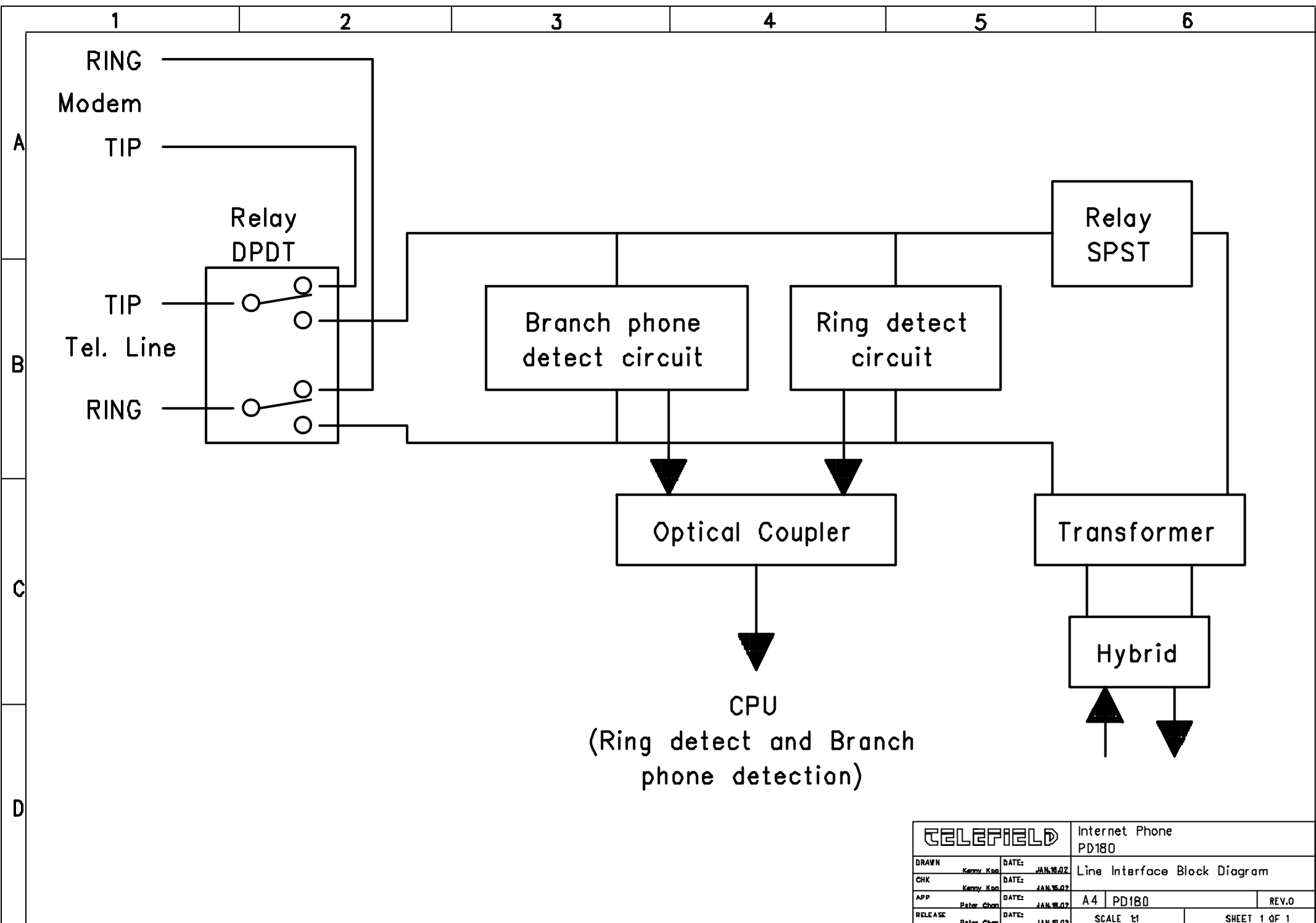
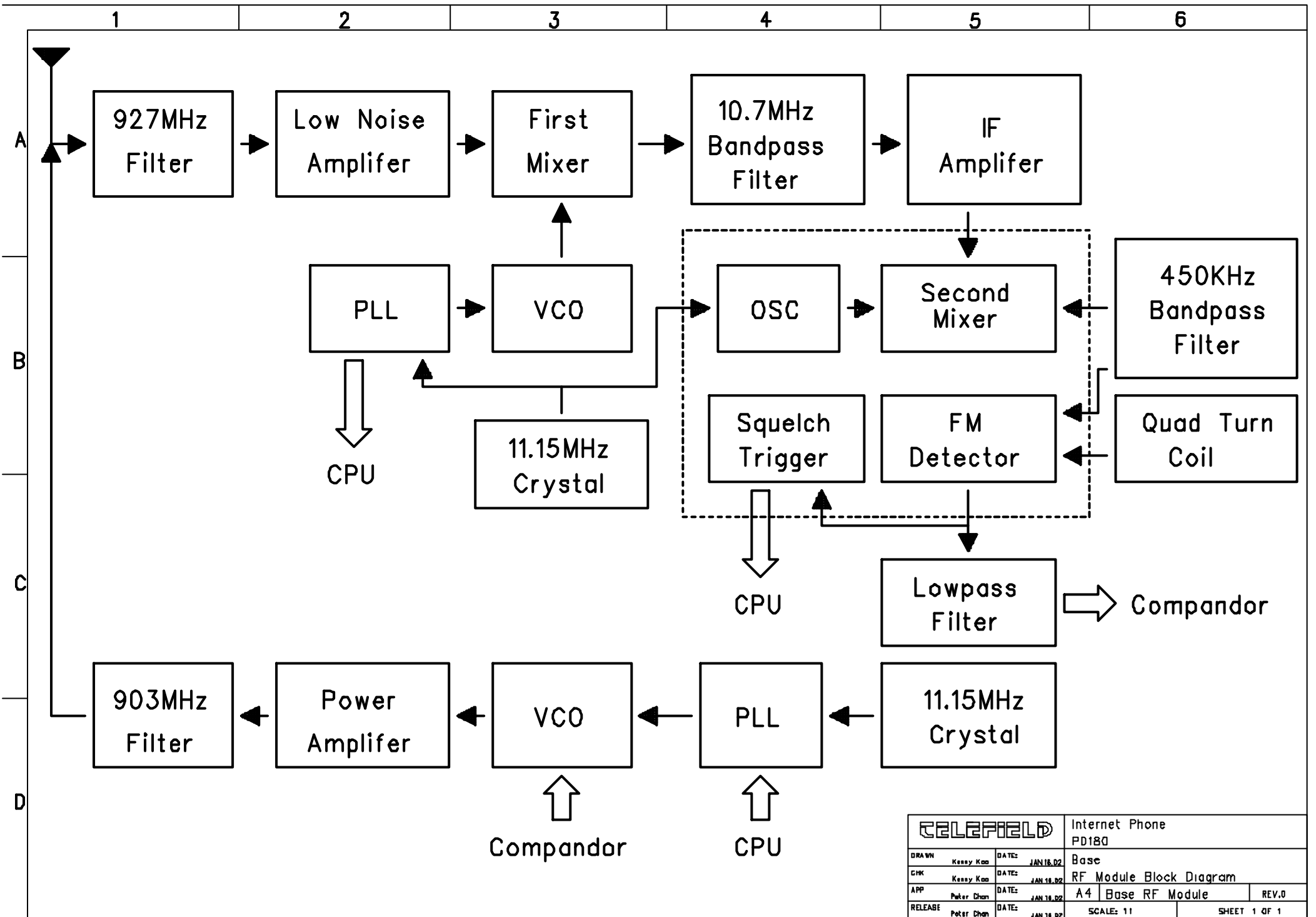


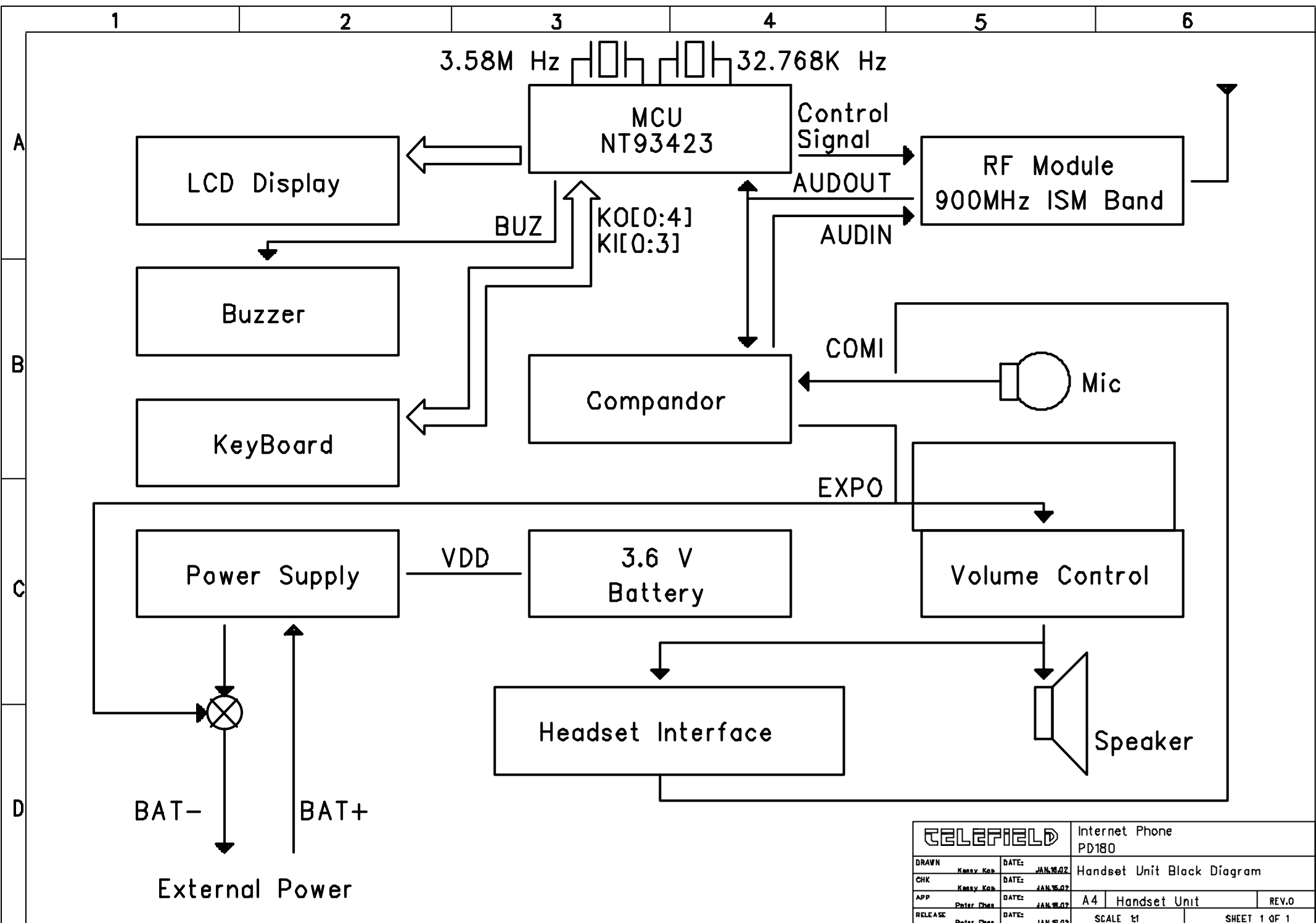
<b>TELEFIELD</b>		Internet Phone PD180	
DRAWN Kenny Koo	DATE JAN 18, 02	Base Main Unit Block Diagram	
CHK Kenny Koo	DATE JAN 18, 02		
APP Peter Chan	DATE JAN 18, 02	A4	BS MAIN BOARD
RELEASE Peter Chan	DATE JAN 18, 02	SCALE: 1:1	SHEET: 1 OF 1



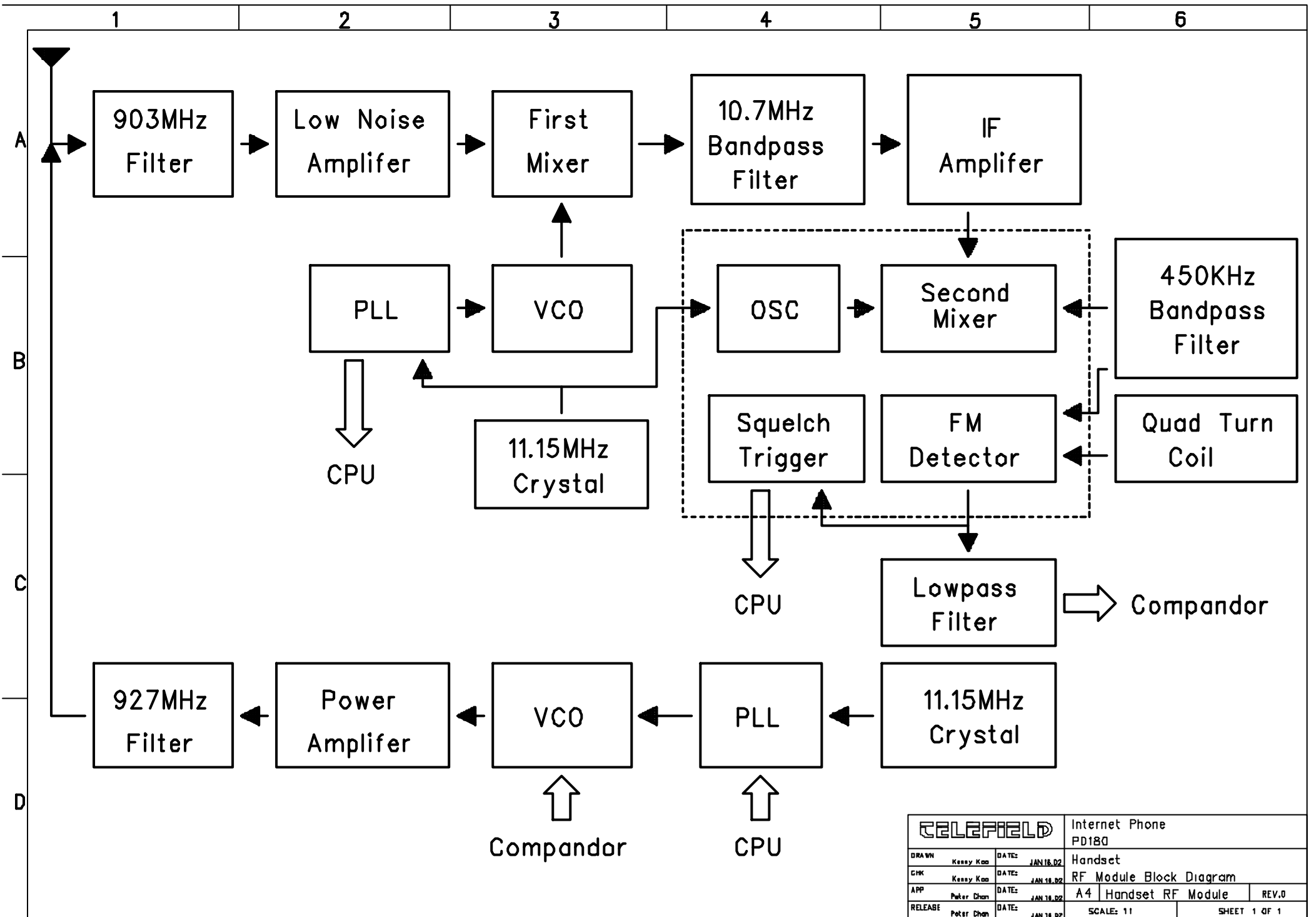
<b>TELEFIELD</b>		Internet Phone PD180	
DRAWN	Kenny Koo	DATE:	JAN 16, 02
CHK	Kenny Koo	DATE:	JAN 16, 02
APP	Peter Chan	DATE:	JAN 16, 02
RELEASE	Peter Chan	DATE:	JAN 16, 02
Line Interface Block Diagram		A4	PD180
SCALE 1:1		REV.0	
SHEET 1 OF 1			



<b>TELEFIELD</b>		Internet Phone	
		PD180	
DRAWN: Kessy Koo		DATE: JAN 18, 02	
CHK: Kessy Koo		DATE: JAN 18, 02	
APP: Peter Chan		DATE: JAN 18, 02	
RELEASE: Peter Chan		DATE: JAN 18, 02	
		Base	
		RF Module Block Diagram	
		A4	Base RF Module
		SCALE: 1:1	REV:0
		SHEET 1 OF 1	



<b>TELEFIELD</b>		Internet Phone PD180	
DRAWN Kenny Koh	DATE: JAN 18, 02	Handset Unit Block Diagram	
CHK Kenny Koh	DATE: JAN 15, 02		
APP Peter Chen	DATE: JAN 18, 02	A4	Handset Unit
RELEASE Peter Chen	DATE: JAN 18, 02	SCALE 1:1	SHEET 1 OF 1



<b>TELEFIELD</b>		Internet Phone	
		PD180	
DRAWN: Kessy Koo		DATE: JAN 18, 02	
CHK: Kessy Koo		DATE: JAN 18, 02	
APP: Peter Chan		DATE: JAN 18, 02	
RELEASE: Peter Chan		DATE: JAN 18, 02	
		SCALE: 1:1	SHEET 1 OF 1

Handset  
RF Module Block Diagram  
A4 Handset RF Module REV.0