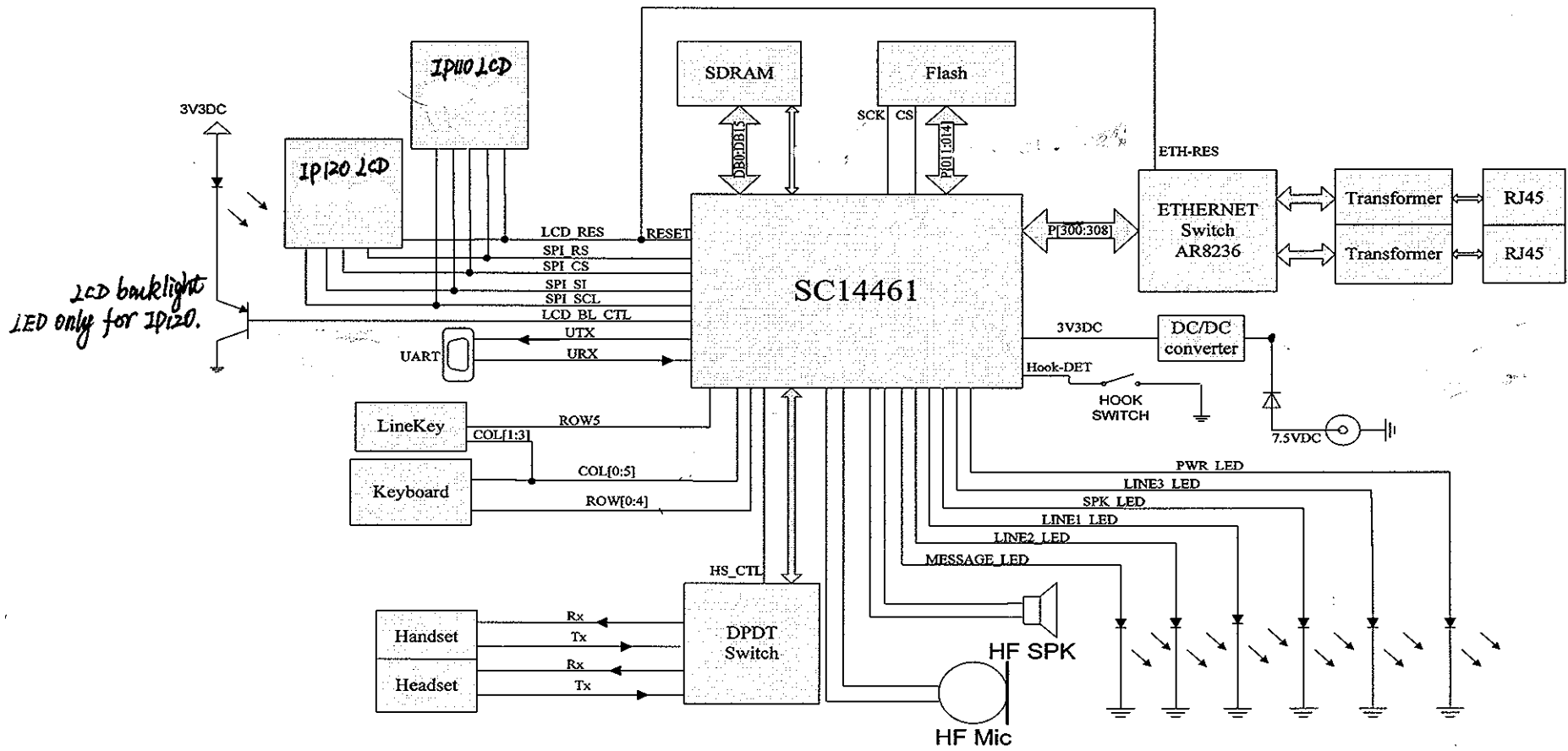


block diagram



- Note: 1) UART is used for download SW
 2) LINE3 is for IP120

MODEL:	ip110/ip120 VoIP corded phone		
PREPARED BY	Songpeng	REV:	0A
APPROVED BY	John	ISSUE DATE:	2012, 01, 17