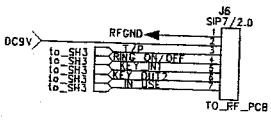
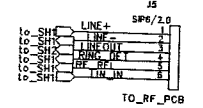
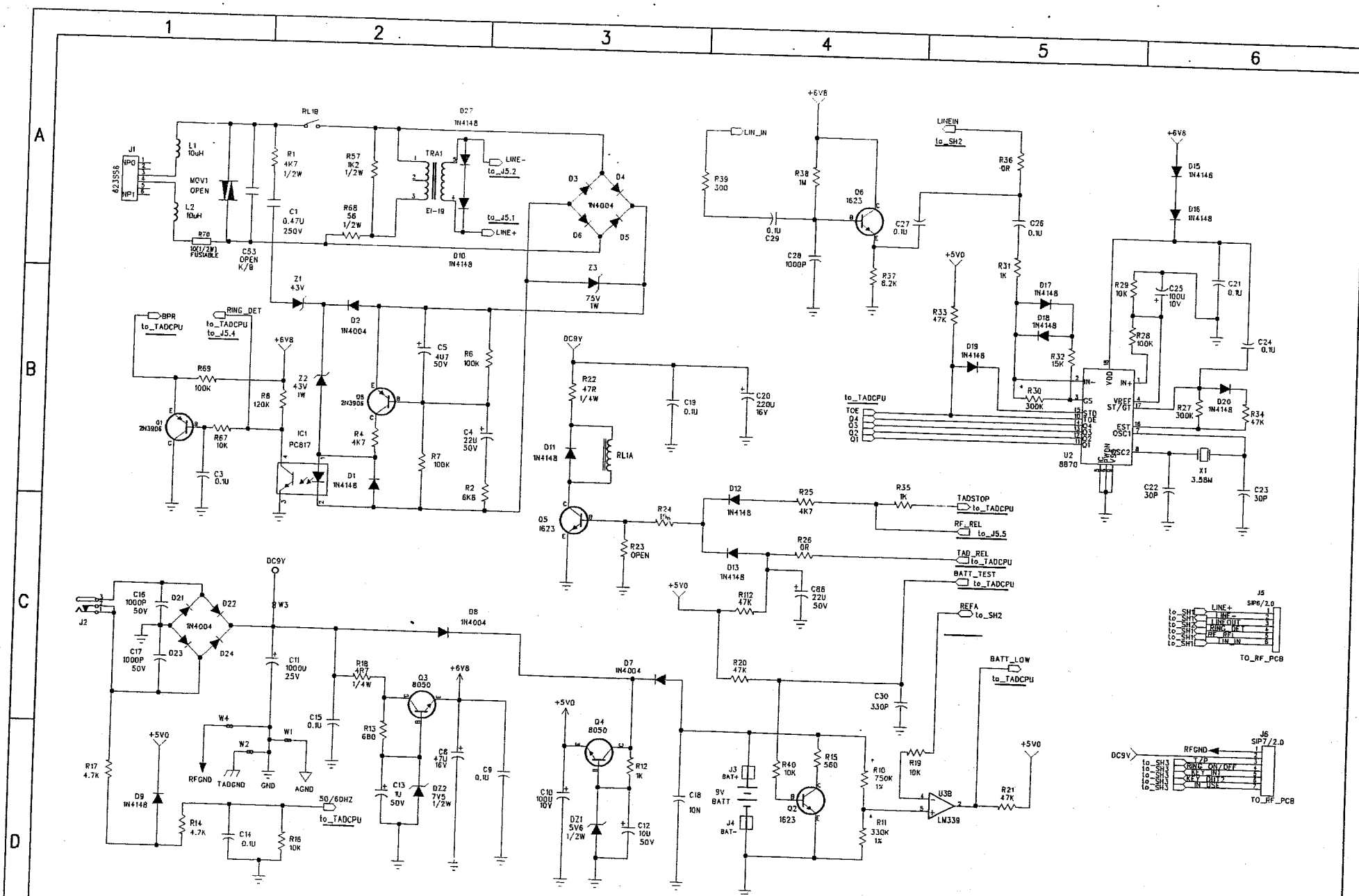
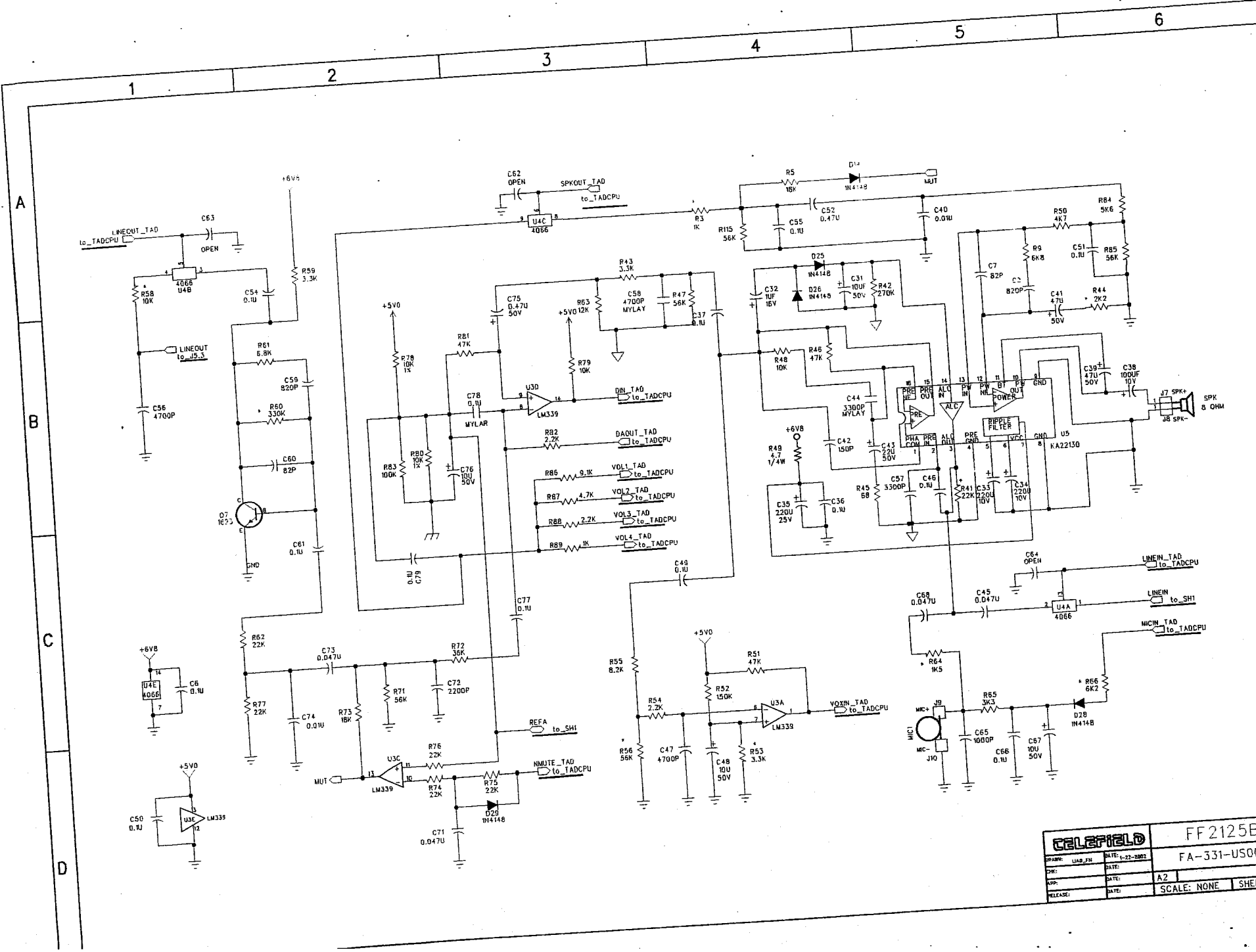


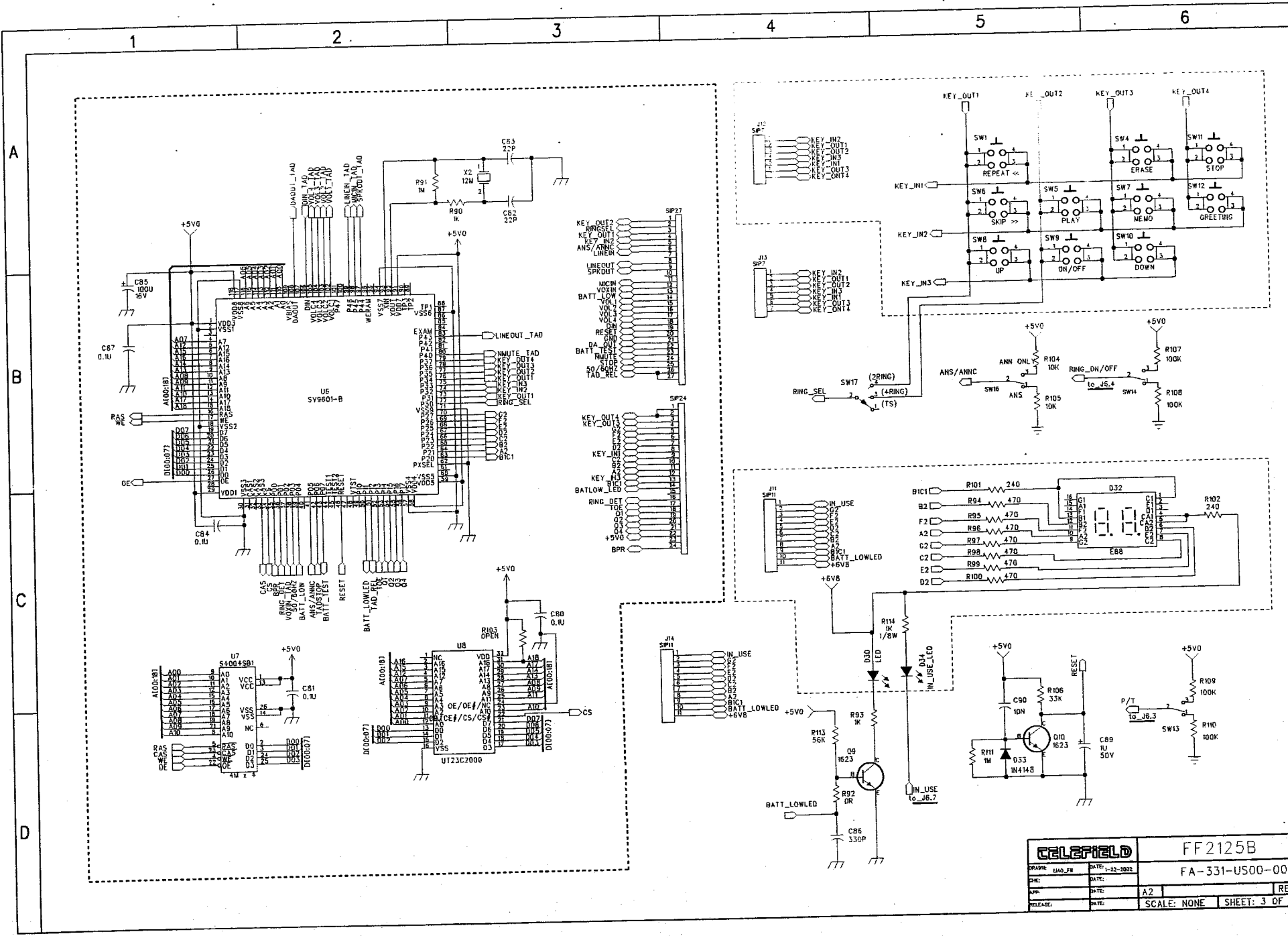
DRAWN: EFFIE SUNG	DATED: 2-FEB-2002	COMPANY: ARTCOM LIMITED
CHECKED:	DATED:	TITLE: 2125BM (900MHz RF)
QUALITY CONTROL:	DATED:	CODE:
SCALE:	DRAWING NO:	SIZE: A3 SHEET: 1 OF 1 REV: 1



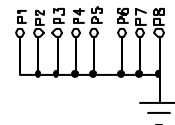
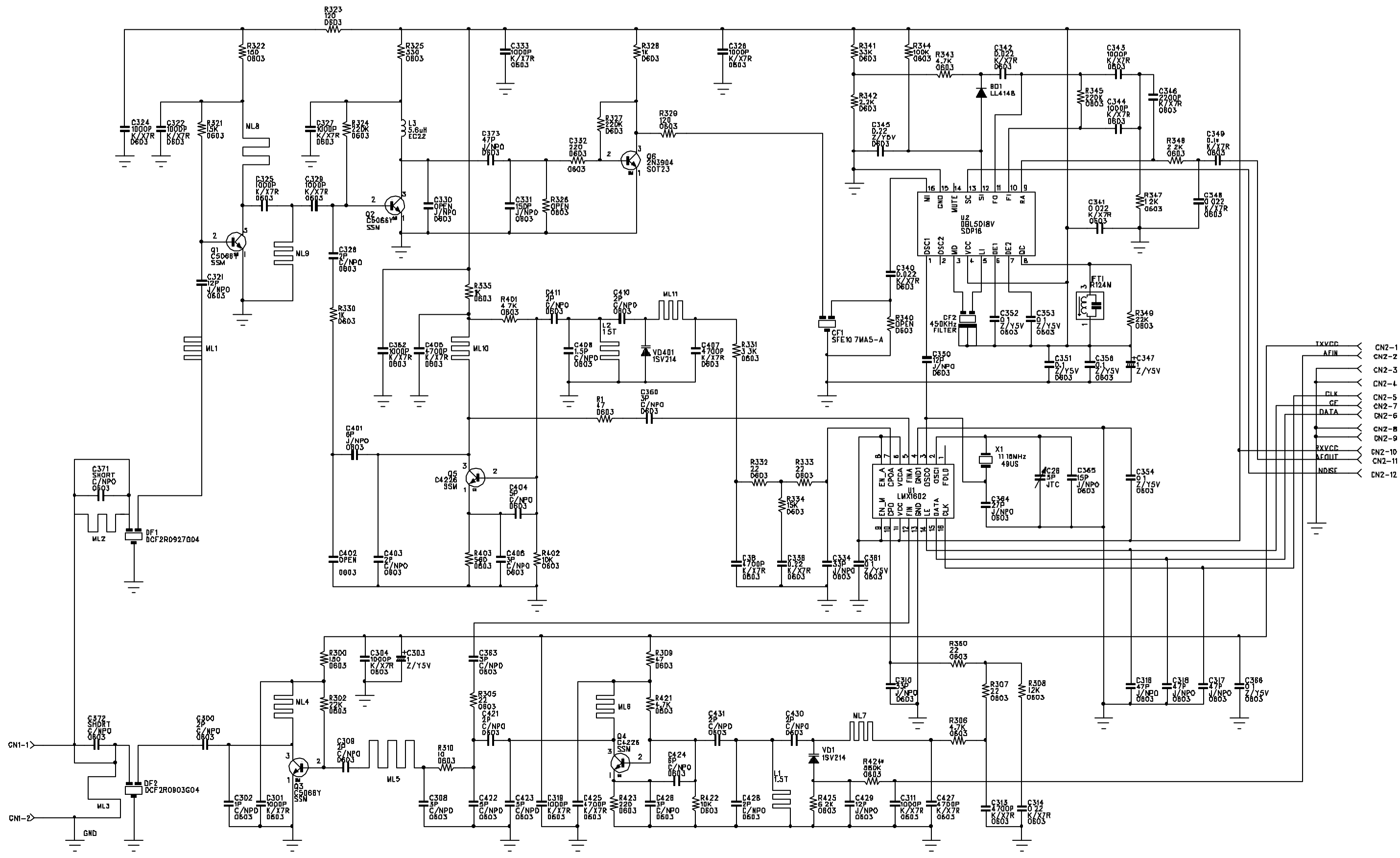
CELEFIELD		FF2125B	
DRAWN: JAO_FN	DATE: 25-2-02	FA-331-US00-00	
CHK:	DATE:	A2	REV: 0
APP:	DATE:	SCALE: NONE	SHEET: 1 OF 3
RELEASE:	DATE:		



CELESTIAL		FF2125B	
FA-331-US00-00		REV:0	
DATE: 1-23-2002	DATE:	A2	SHEET: 2 OF 3
SCALE: NONE	DATE:		



CELESTIAL		FF2125B	
DATE: 1-22-2002	DATE:	FA-331-US00-00	
REV: 0	SCALE: NONE	SHEET: 3 OF 3	



DRAWN		DATED: 25-APRIL-2001		COMPANY ARTCOM LIMITED	
CHECKED:		DATED:		TITLE: ARTCOM RF MODULE(BASE)	
QUALITY CONTROL		DATED:		PCB FILE RFM1B.JOB	
RELEASED:		DATED:		SCALE:	SIZE: A3
				CODE:	DRAWING NO: REV: OF

6

5

4

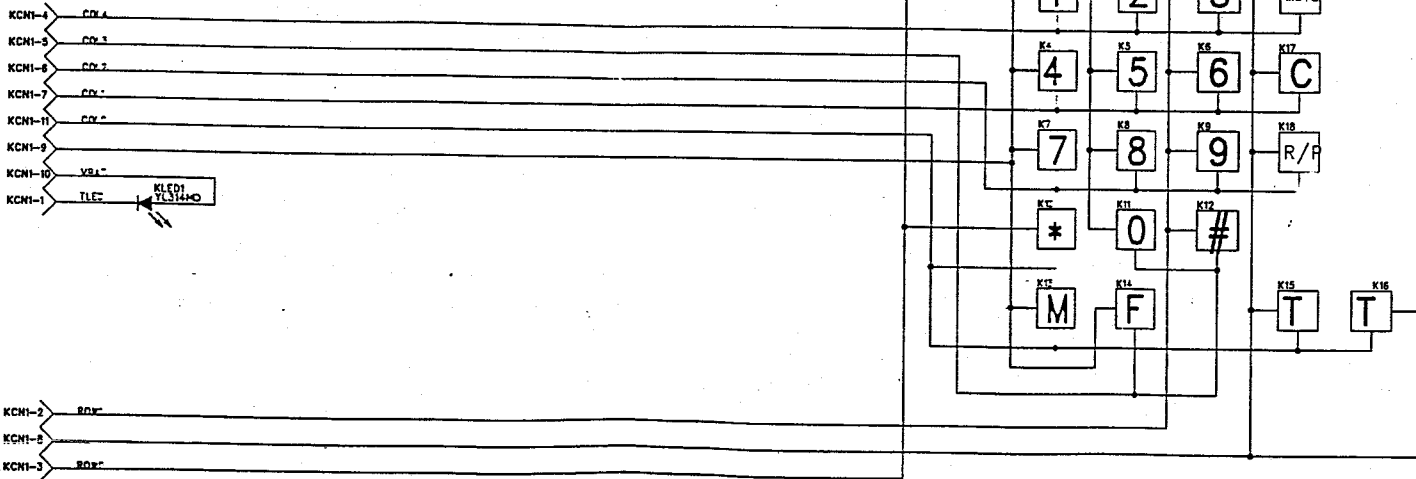
3

2

1

REVISION RECORD			
LTR	ECO NO:	APPROVED:	DATE:

TO HANDSET MAIN
 KCN1
 ARRAY
 40mm
 1IP
 2mm PITCH



KCN1-2 RDV
 KCN1-5 RDV
 KCN1-3 RDV

COMPANY: ARTCOM LIMITED			
TITLE: 2100 KYBD			
CODE:	SIZE:	DRAWING NO:	REV:
SCALE:	SHEET: OF		

DRAWN:	DATED:
CHECKED:	DATED:
QUALITY CONTROL:	DATED:
RELEASED:	DATED:

D

C

B

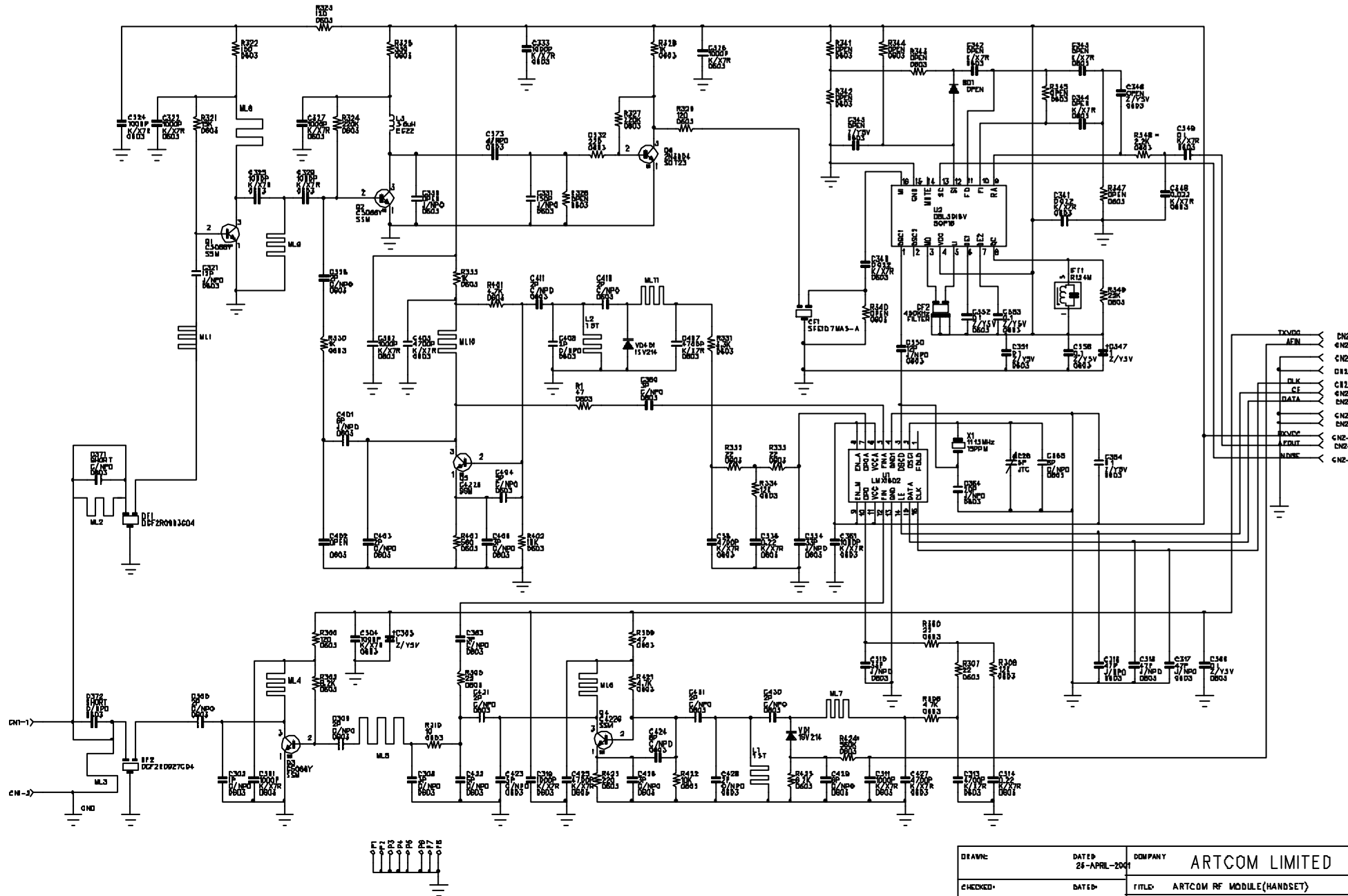
A

D

C

B

A



DRAWN:	DATED:	COMPANY:	ARTCOM LIMITED		
CHECKED:	DATED:	TITLE:	ARTCOM RF MODULE(HANDSET)		
QUALITY CONTROL:	DATED:	PCB FILE:	RFM1#JOB		
RELEASED:	DATED:	SCALE:	SIZE:	A3	REV:
		CODE:	DRAWING NO:		SHEET: DF