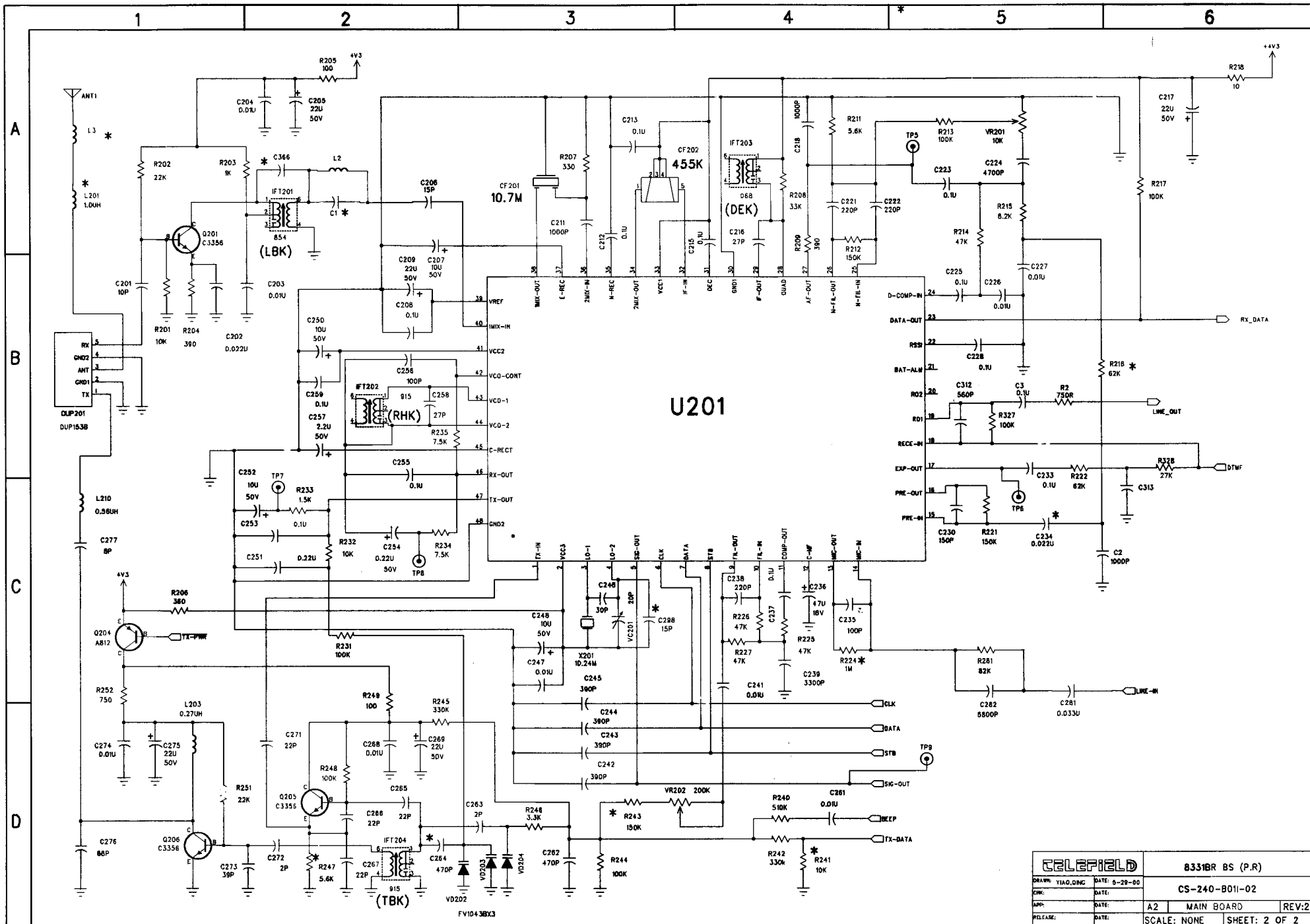
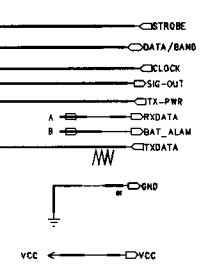
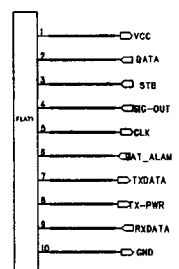
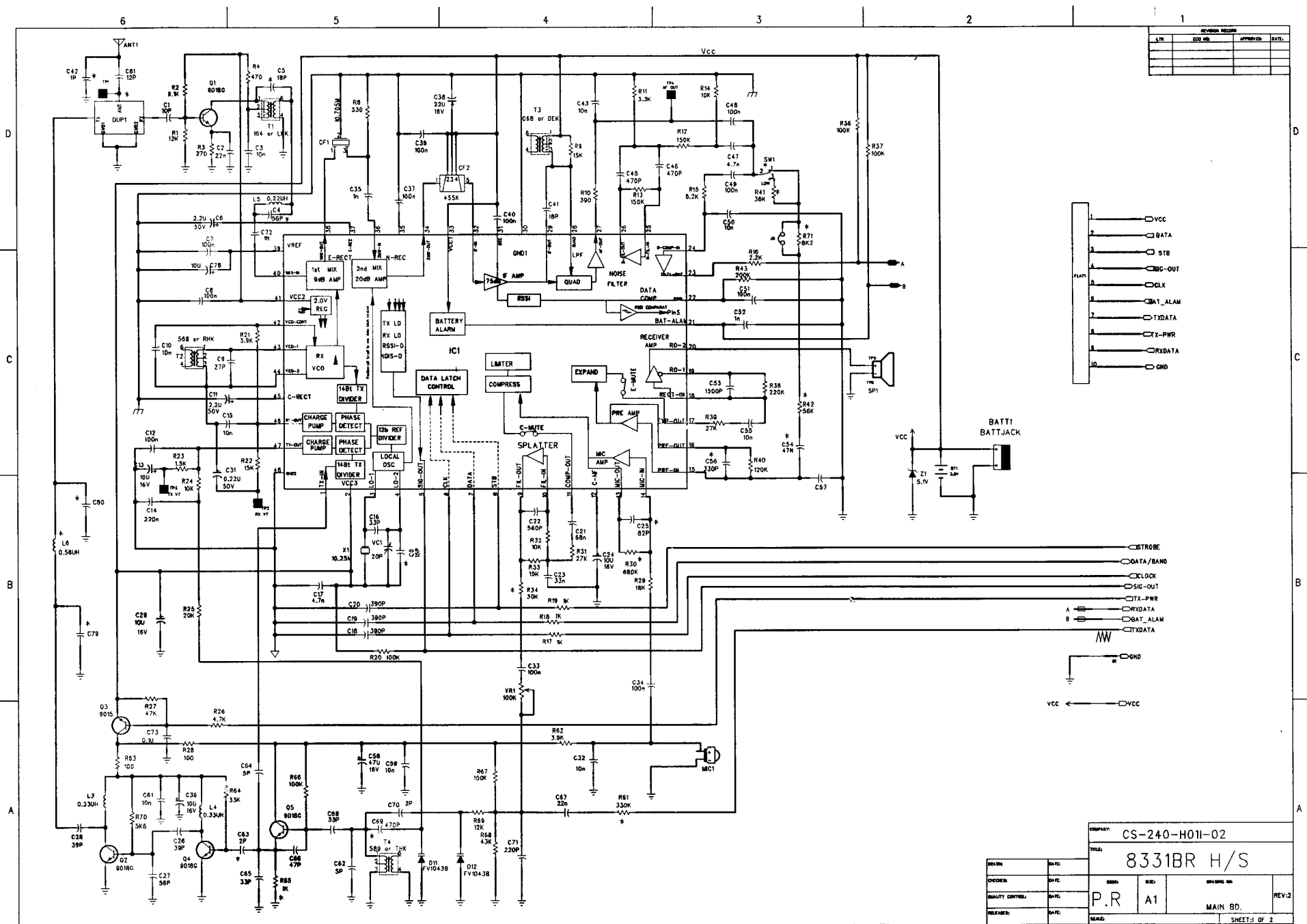


<b>CELEFIELD</b> DRAWN: YIAO.QING DATE: 9-28-00 CHK: DATE: APP: DATE: RELEASE: DATE:		8531BR BS (P.R) LINEFACE CPU CID	
		CS-240-8011-02	
A2	MAIN BOARD	REV:2	
SCALE: NONE		SHEET: 1 OF 2	



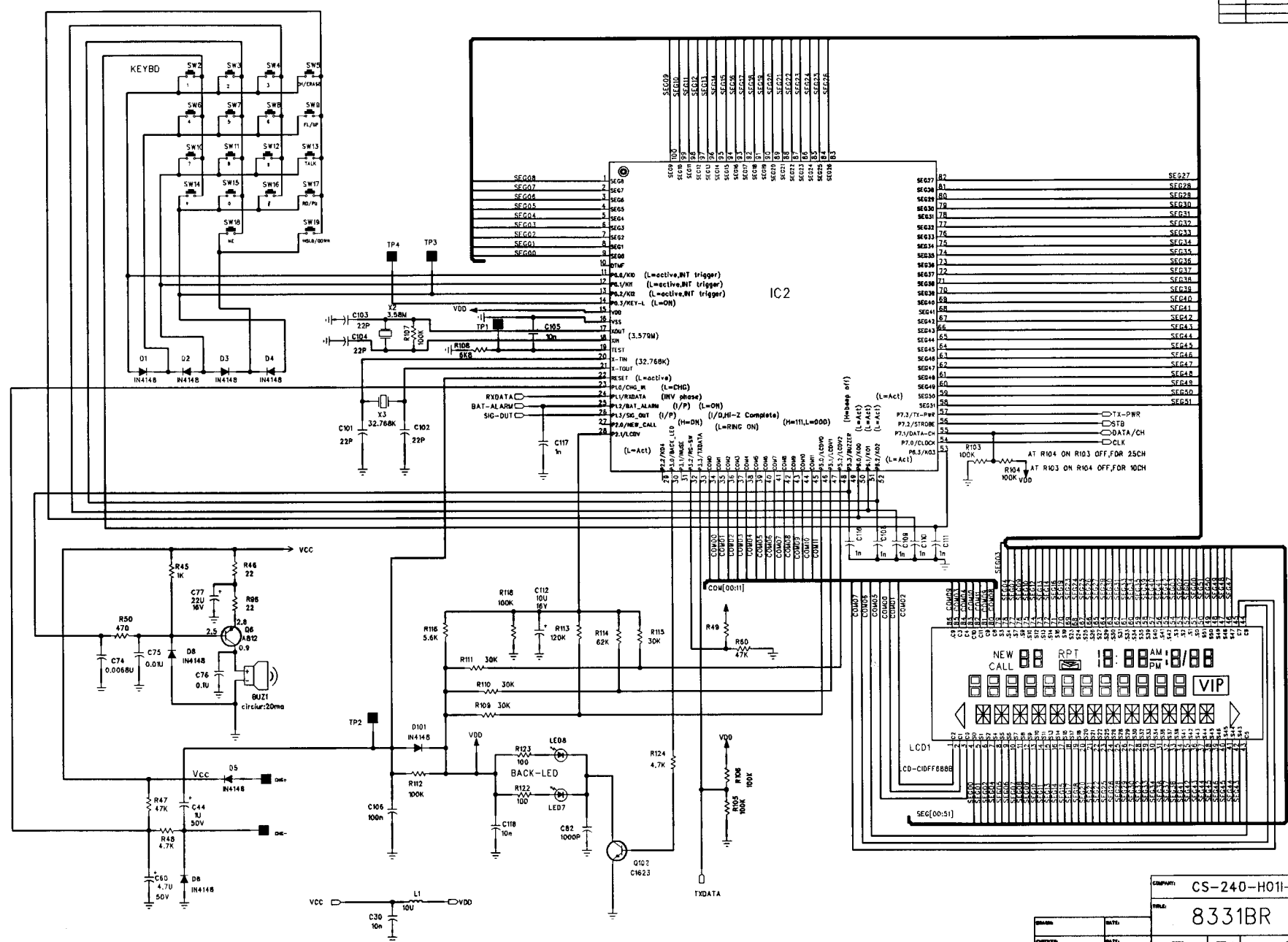
<b>CELEFIELD</b>		<b>8331BR BS (P.R.)</b>	
DRAWN: YIAD.DWG	DATE: 5-29-00	<b>CS-240-B01-02</b>	
CW:	DATE:		
APP:	DATE:	A2	MAIN BOARD
REV: 2	DATE:	SCALE: NONE	SHEET: 2 OF 2

REVISION RECORD			
LTN	ECN NO.	APPROVED	DATE



COMPART		CS-240-H011-02			
TITLE		8331BR H/S			
DESIGN	DATE	ISSUE	REV	ISSUED BY	REV
CHECKED	DATE				
QUALITY CONTROL	DATE	P.R	A1	MAIN BD.	REV:2
RELEASED	DATE				
SHEET:1 OF 2					

REVISION RECORD			
LTN	EXP. NO.	APPROVER	DATE



COMPART: CS-240-H011-02	
PART: 8331BR H/S	
DESIGN: [ ]	DATE: [ ]
CHECKED: [ ]	DATE: [ ]
QUALITY CONTROL: [ ]	DATE: [ ]
RELEASED: [ ]	DATE: [ ]
DESIGN: P.R	REV: A1
ISSUE NO: [ ]	KEY BD.
SHEET: 2 OF 2	