

**CP8331BR BASE CIRCUIT BLOCK DIAGRAM**

6

5

4

3

2

1

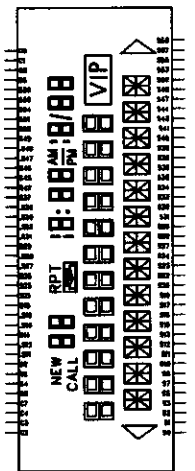
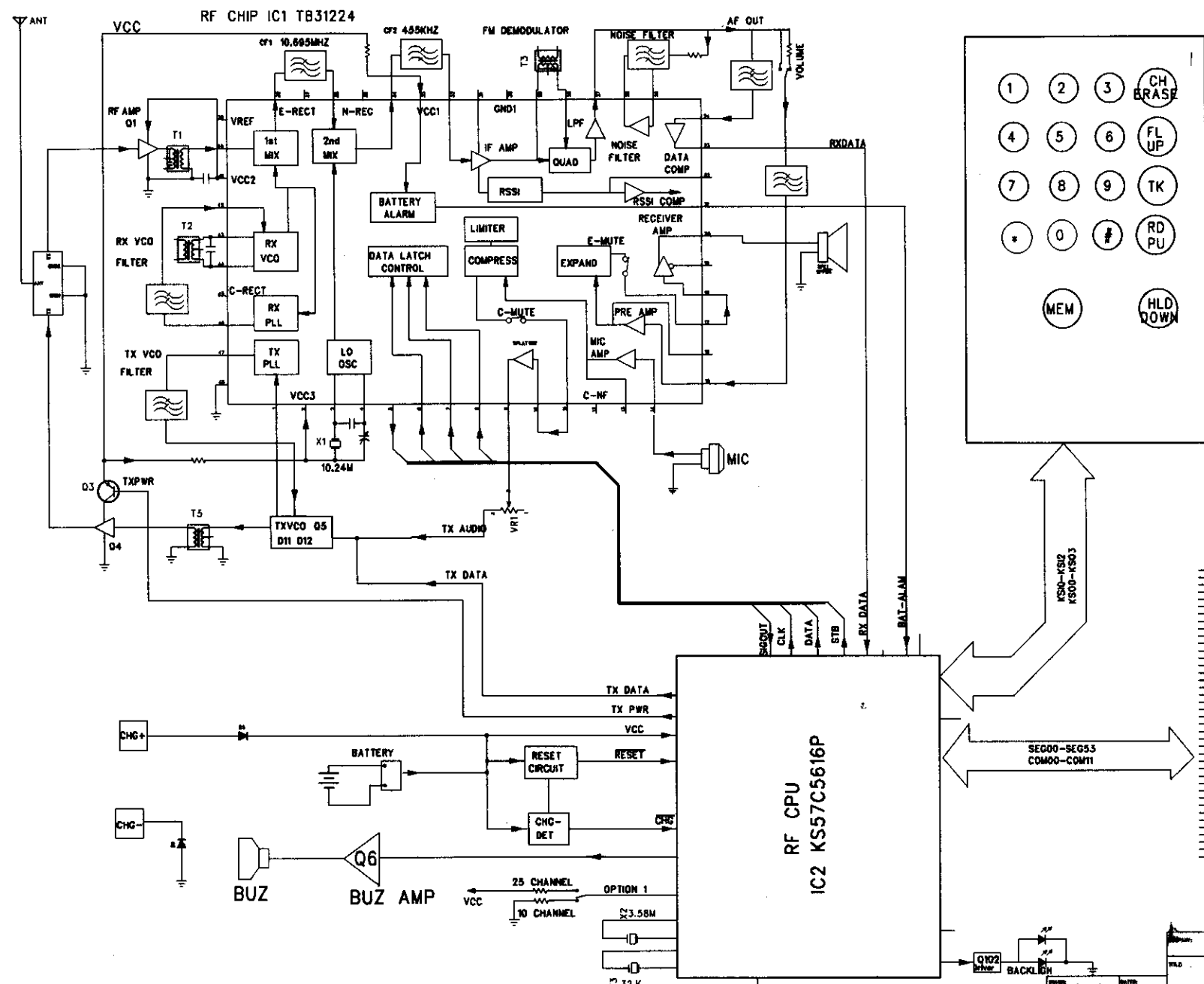
D

C

B

A

REV	DATE	APP'D	CHK'D



LCD1  
LCD-COMT 698B

POWER	DATE	REV	REV	REV	REV	REV
QYIAG	1-25-2000					
DESIGN						
QUALITY CONTROL						
FIELDWORK						

**CP8331BR HS DRAW**

PAGE 1 OF 1