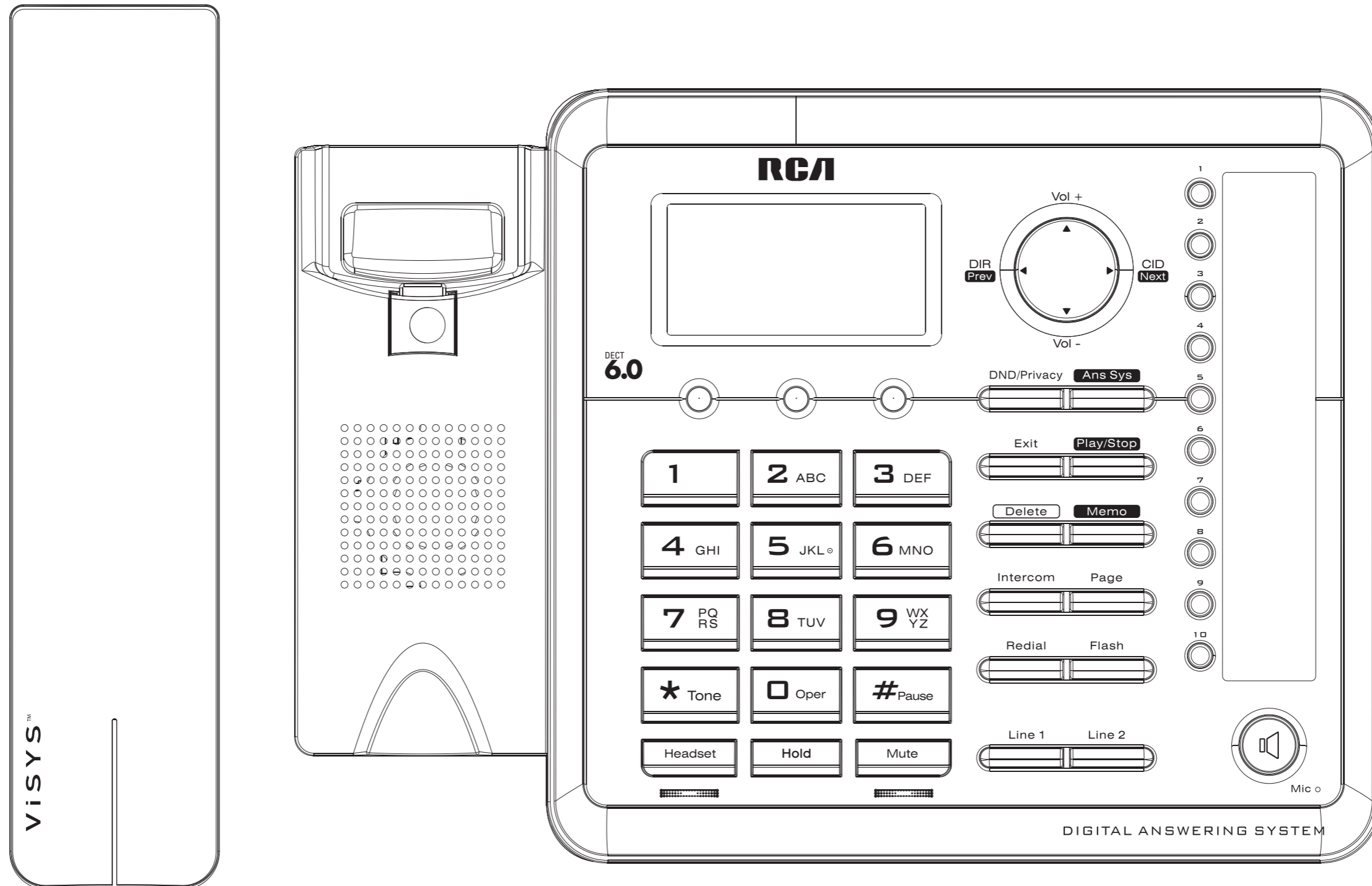
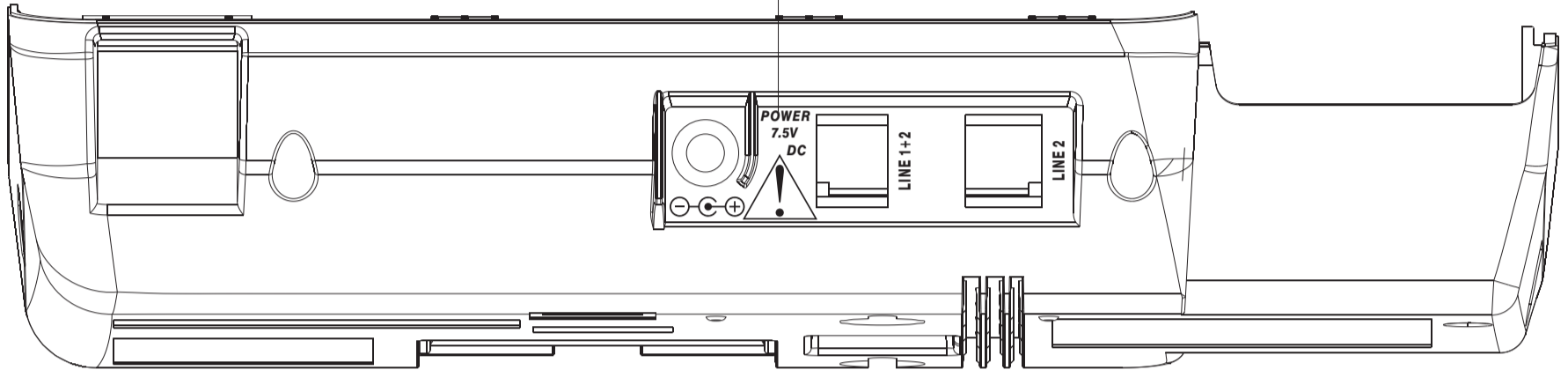


25255



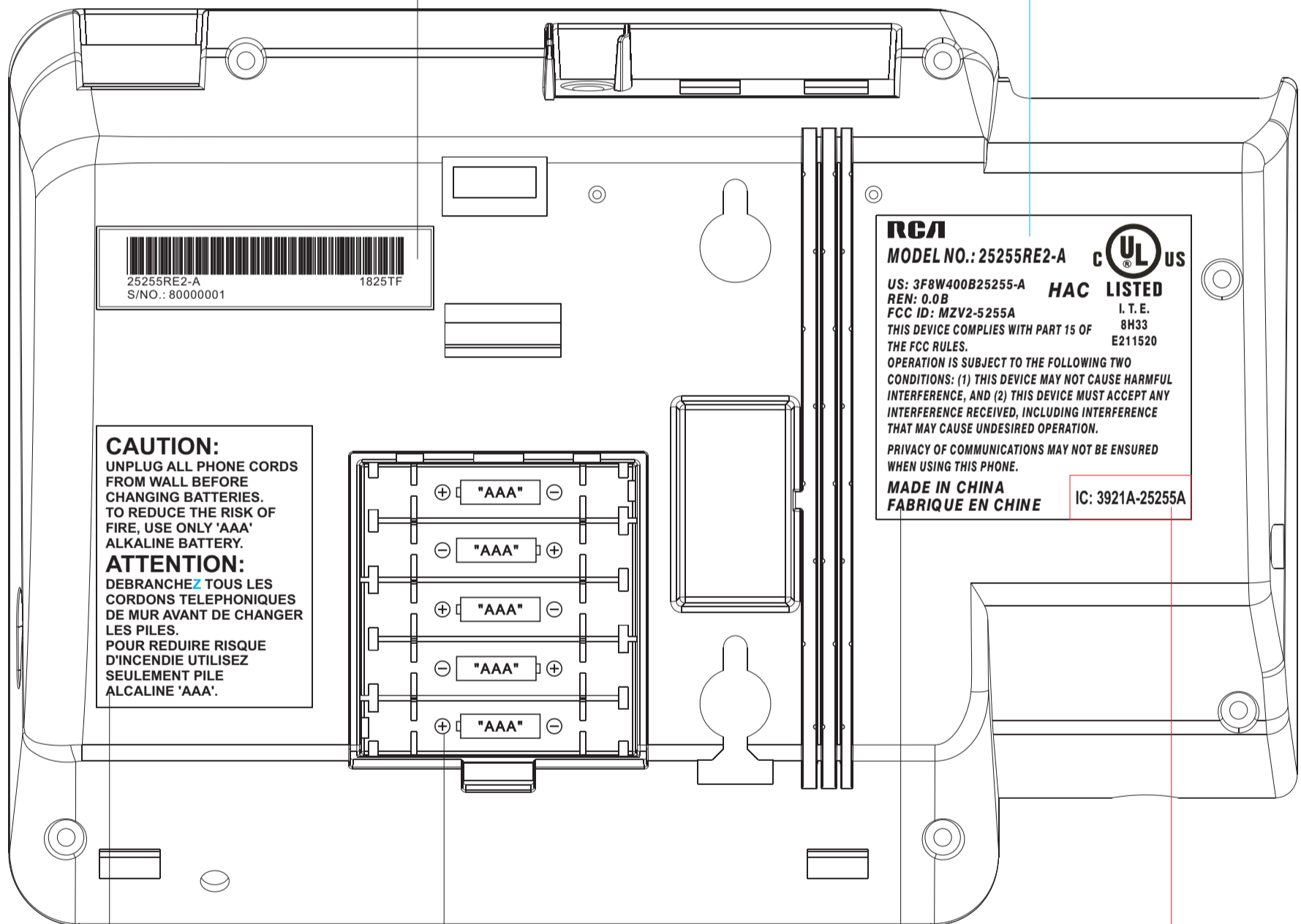
25255

Power Engraving  
Embossed, Height: 0.2 mm



S/NO. label  
SIZE: 60\*14 mm

Base model no. label



Caution Engraving  
Debossed, Depth: 0.2 mm

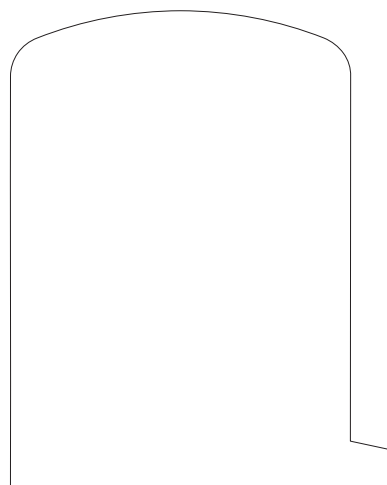
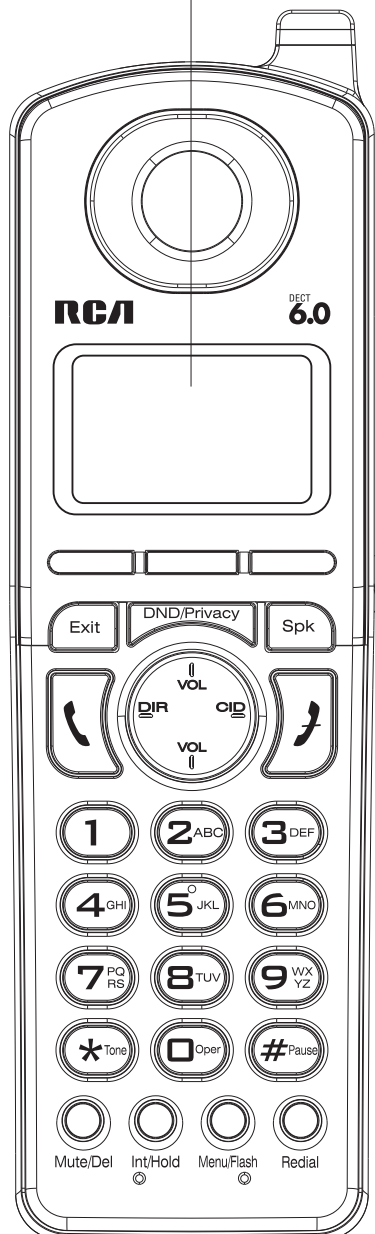
Battery Engraving  
Embossed, Height: 0.2 mm

UL Engraving  
Debossed, Depth: 0.2 mm

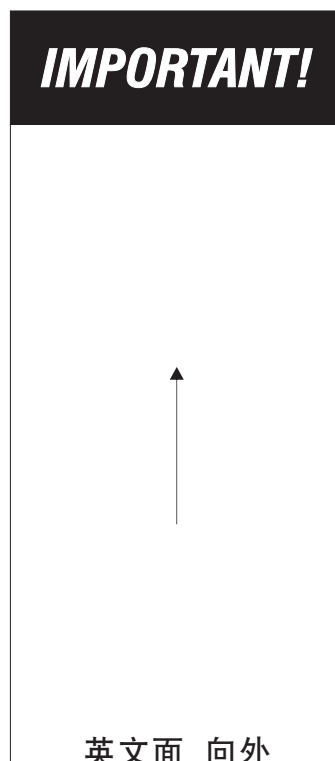
IC LABEL  
(Only for Canada)

# 25255RE1-A HANDSET

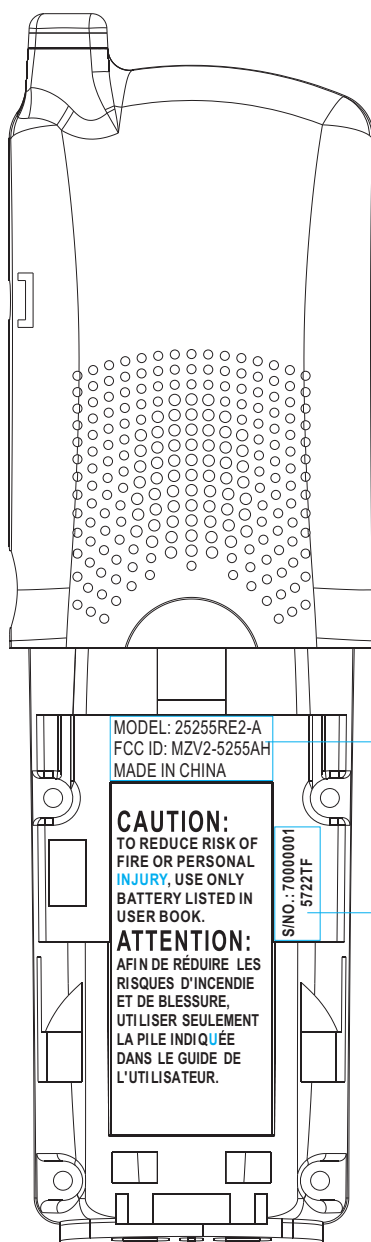
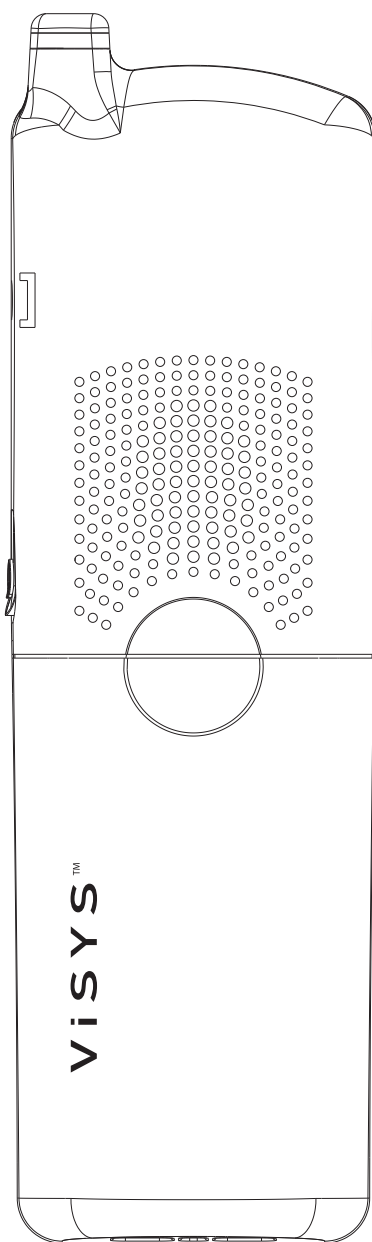
H/S LCD POP LABEL  
SIZE: 51 X 63 mm



IMPORTANT SHEET  
SIZE: 44 x 100 mm



# 25255RE2-A HANDSET



MODEL: 25255RE2-A  
FCC ID: MZV2-5255AH  
MADE IN CHINA

**CAUTION:**  
TO REDUCE RISK OF  
FIRE OR PERSONAL  
**INJURY**, USE ONLY  
BATTERY LISTED IN  
USER BOOK.

**ATTENTION:**  
AFIN DE RÉDUIRE LES  
RISQUES D'INCENDIE  
ET DE BLESSURE,  
UTILISER SEULEMENT  
LA PILE INDICUÉE  
DANS LE GUIDE DE  
L'UTILISATEUR.

S/NO.: 70000001  
5722TF

FCC ID LABEL  
SIZE: 21 x 7.8 mm

S/NO. & DATE CODE LABEL  
SIZE: 14.5 x 5.5 mm

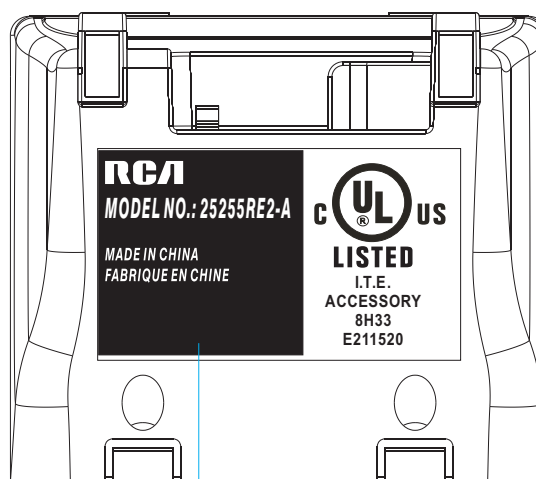
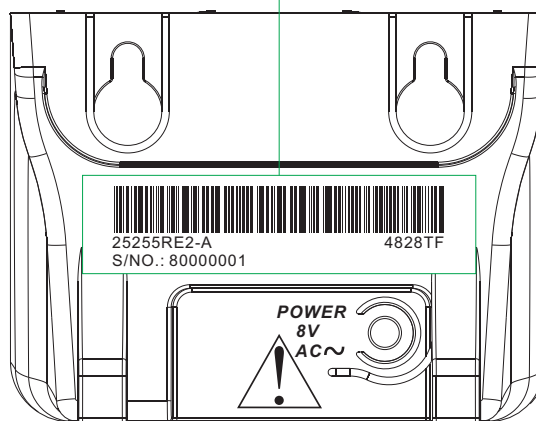
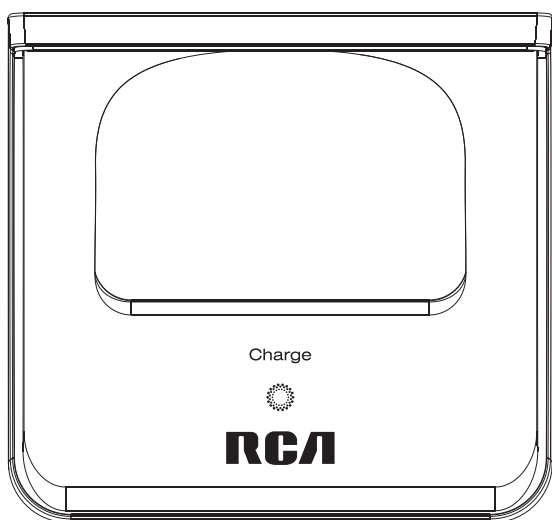
# 25255RE2-A CHARGER

CHARGER S/NO. & DATE CODE LABEL

SIZE: 52 x 13 mm

S/NO. must be the same as BASE, H/S S/NO.

DATE CODE must be the same as BASE, H/S Date code.



CHARGER MODEL NO. LABEL

SIZE: 27\*27 mm