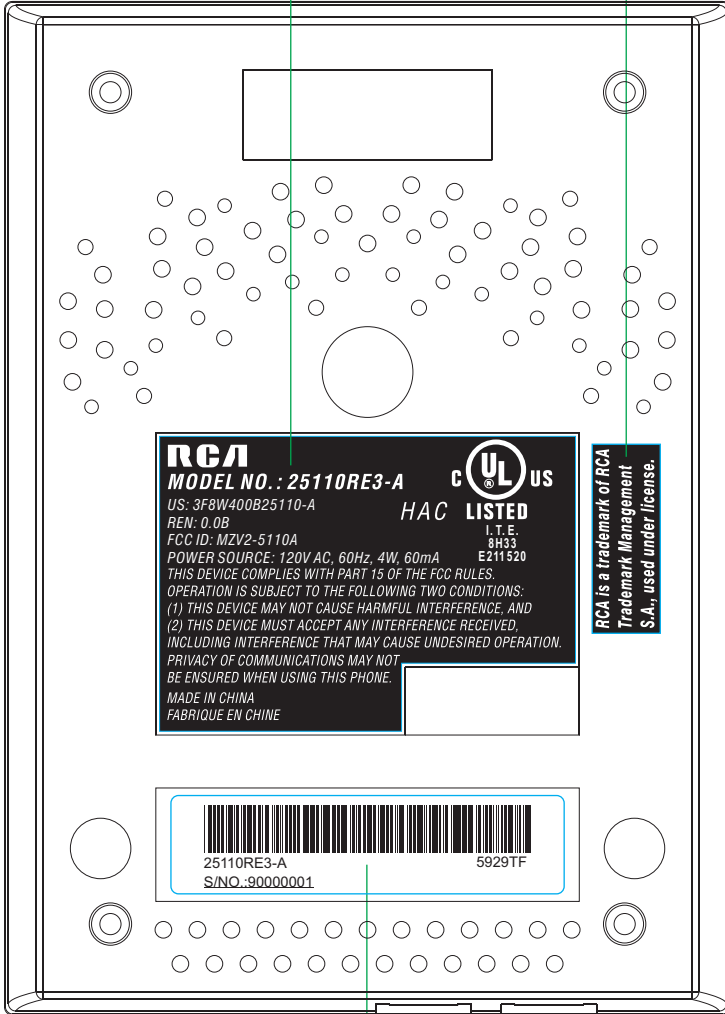


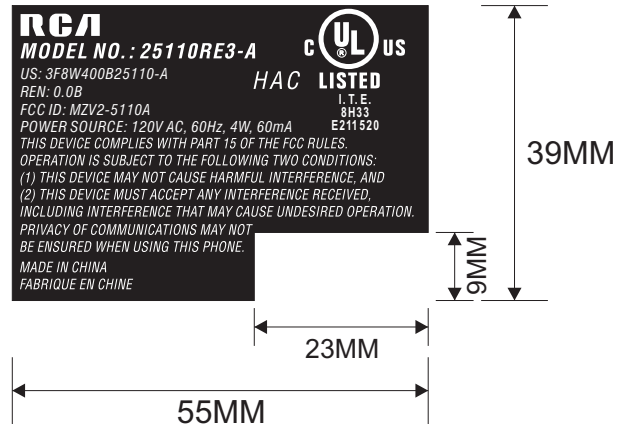
BASE

MODEL NO. UL LABEL

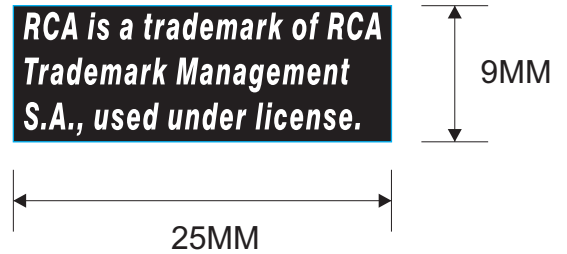
TRADEMARK LABEL



1:1



2:1

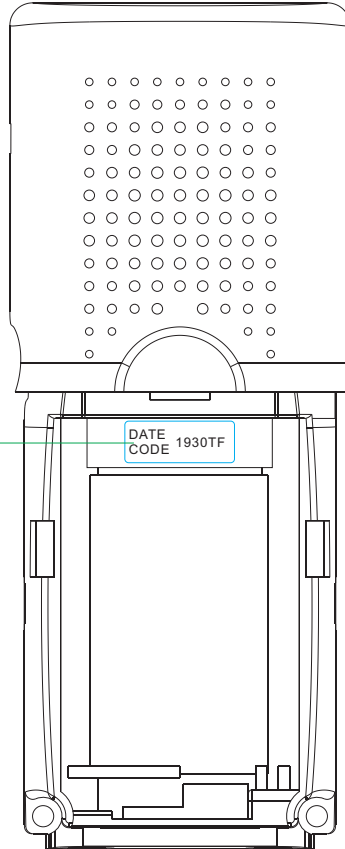


1:1



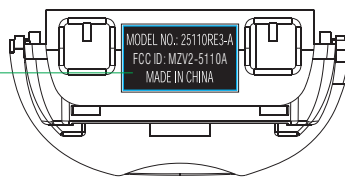
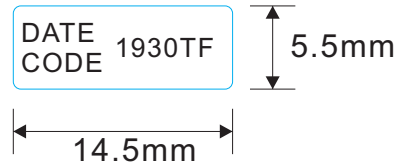
SERIAL NO. LABEL,GZ PRINT

HANDSET



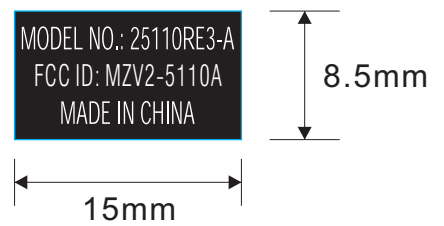
DATE CODE LABEL,
GZ PRINT.

2:1



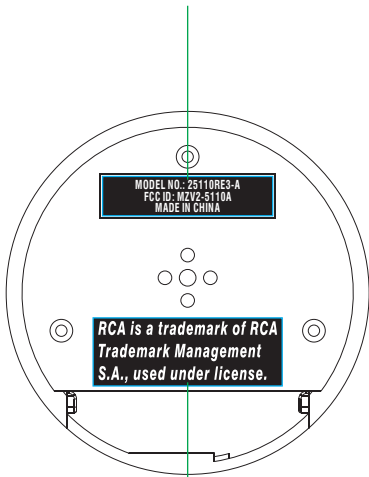
HS RATING LABEL

2:1



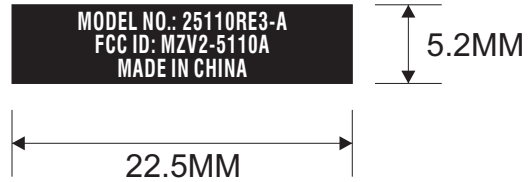
HEADSET

MODEL NO. UL LABEL

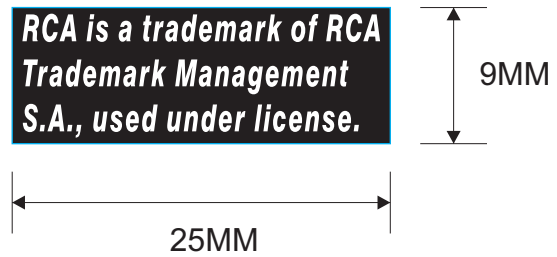


TRADEMARK LABEL

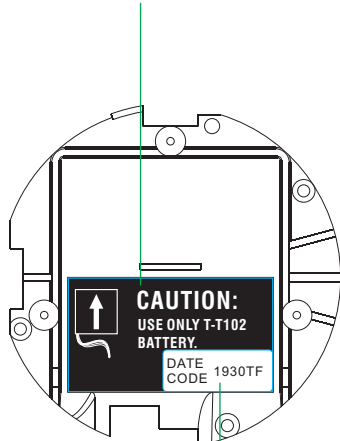
2:1



2:1

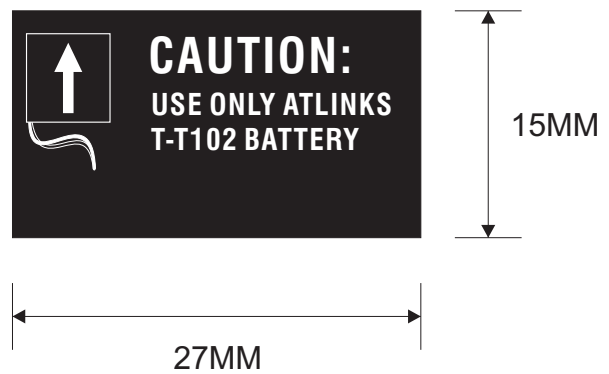


CAUTION LABEL

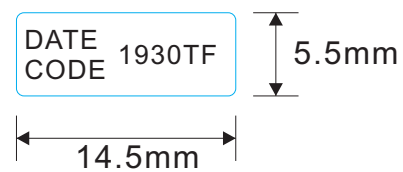


DATE CODE LABEL

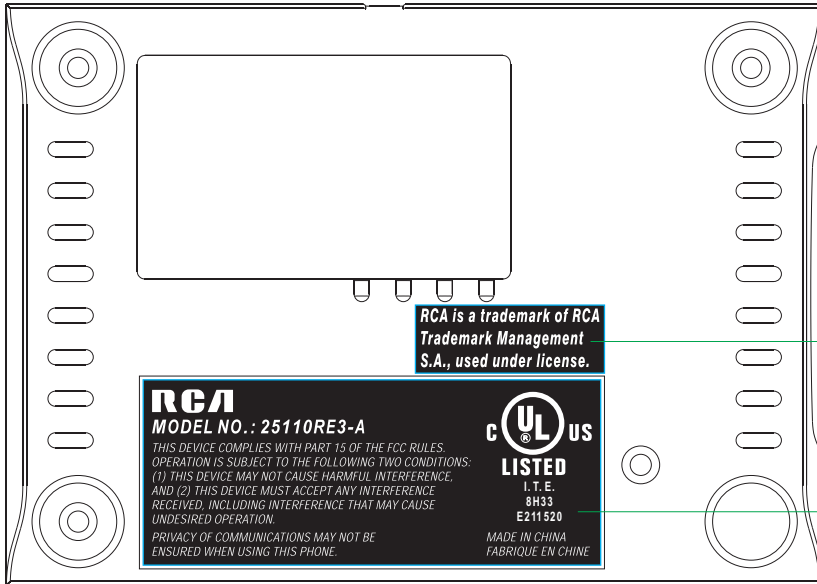
2:1



2:1



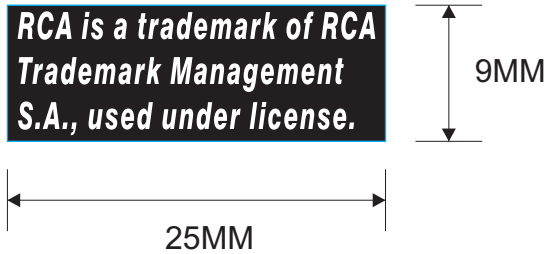
CHARGER



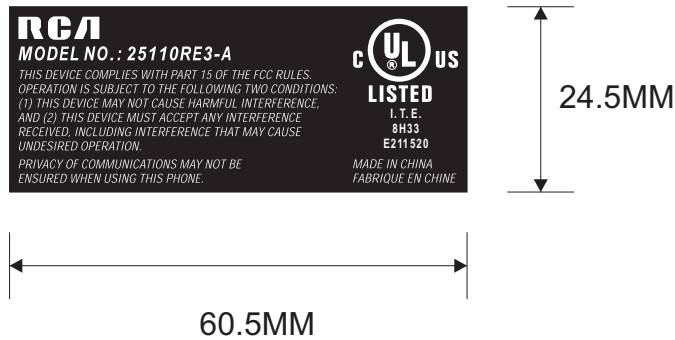
TRADEMARK LABEL

MODEL NO. UL LABEL

2:1



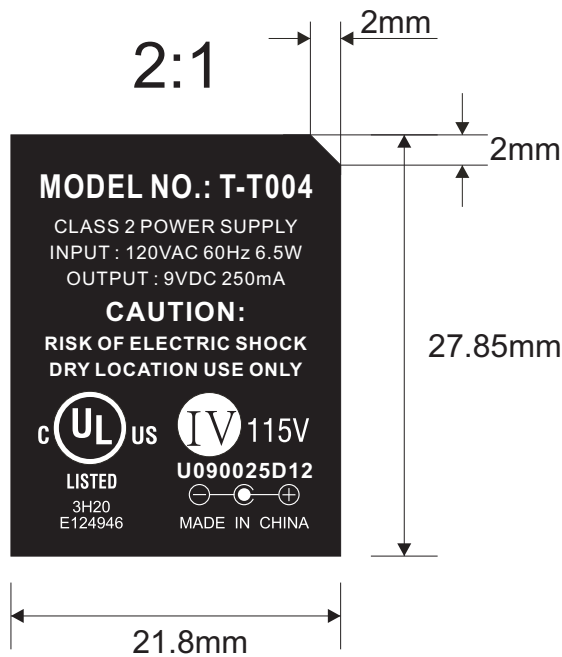
1:1



1:1



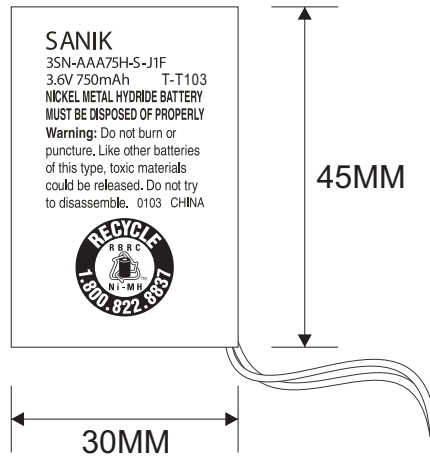
2:1



PART NO.:	ZK74035RA02-R	SIZE:	21.8*27.85mm (-0.5,+0)
DESCRIPTION:	LABEL , 25110RE3-A *RCA		
COLOUR:	WHITE TEXT ON BLACK BACKGROUND		
MAT'L:	25u Polyester film white + 25u Polyester film		
MADE BY:	Yanjuan,liu	7/23/09	APPROVED BY:

TELEFIELD	MODEL: 25110	FILE NAME: 25110 LABEL	REV: 00
------------------	---------------------	-------------------------------	----------------

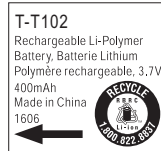
1:1



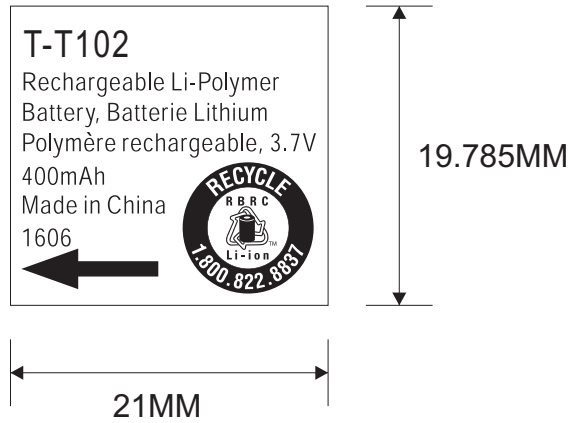
PART NO.:	ZK74035RA00-R	SIZE:	30*45mm (-0.5,+0)
DESCRIPTION:	BATTERY LABEL, 25110RE3-A *RCA		
COLOUR:	BLACK TEXT ON SILVER BACKGROUND		
MAT'L:	25u Polyester film white + 25u Polyester film		
MADE BY:	Yanjuan,liu	7/17/09	APPROVED BY:

TELEFIELD	MODEL: 25110	FILE NAME: 25110 LABEL	REV: 00
------------------	---------------------	-------------------------------	----------------

1:1



2:1



PART NO.:	ZK74035RA01-R	SIZE:	21*19.785mm (-0.5,+0)
DESCRIPTION:	BATTERY LABEL, 25110RE3-A *RCA		
COLOUR:	BLACK TEXT ON WHITE BACKGROUND		
MAT'L:	25u Polyester film white + 25u Polyester film		
MADE BY:	Yanjuan,liu	7/17/09	APPROVED BY: