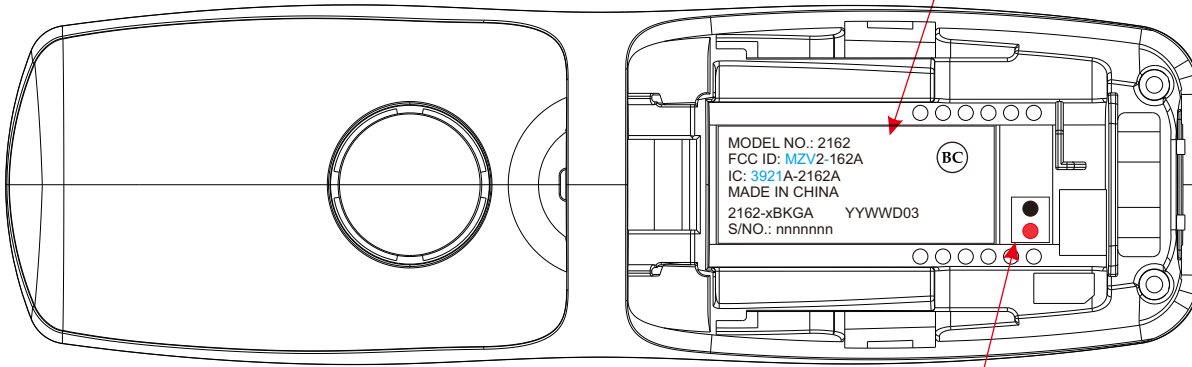


Handset product label
Size:36.5x15.5mm



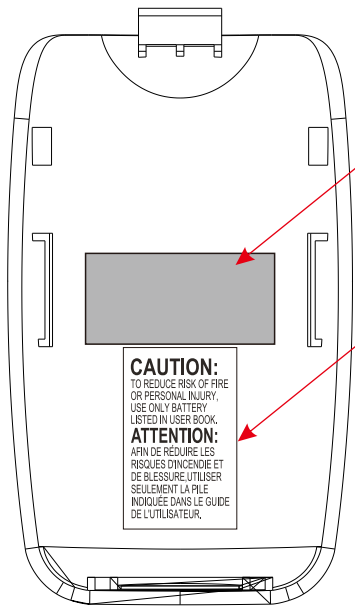
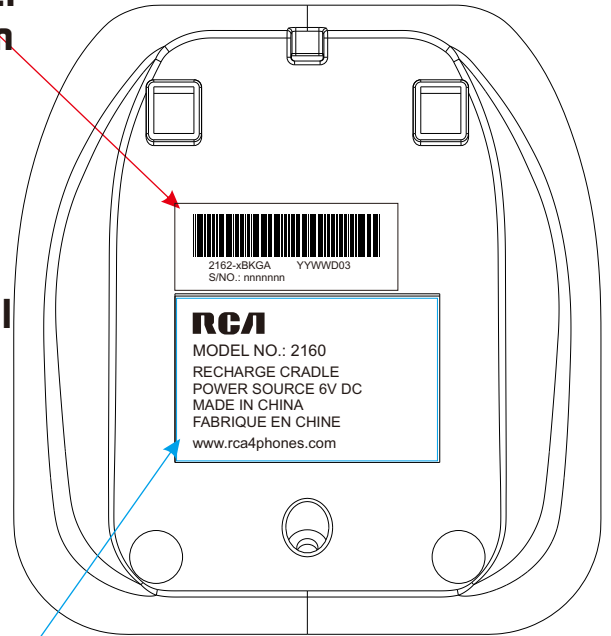
Handset

Battery socket direction label
Size:6x5mm

Charger SN label
Size:29.5x11.5mm

Cushion

Battery caution label
Size:15x24mm



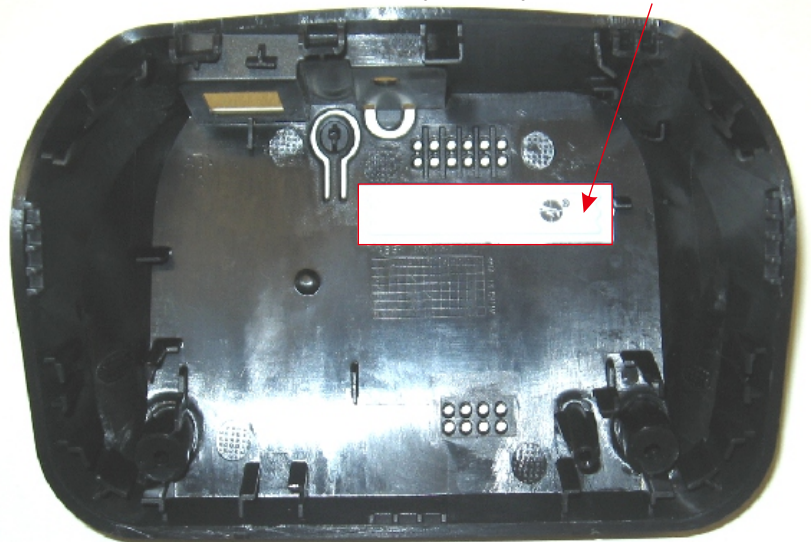
Battery cover inside

Charger unit

P/N:475-14774-500002(I.OPC)
SENSORMATIC TAG ZLDRSI

Charger product label
Size:34.5x21.5mm

Charger product label
Size:34.5x21.5mm



BU BOTTOM CABINET INSIDE

Telefield

MODEL NO.: 2160
 RECHARGE CRADLE
 POWER SOURCE 6V DC
 MADE IN CHINA
 FABRIQUE EN CHINE
 www.rca4phones.com

RCA By Telefield

MODEL NO.: 2160
 RECHARGE CRADLE
 POWER SOURCE 6V DC
 MADE IN CHINA
 FABRIQUE EN CHINE
 www.rca4phones.com

Base product label
Size:52x35mm

Telefield
US:3F8W400B2162-A
REN:0.0B
FCC ID: MZV2-162A
IC:3921A-2162A

MODEL NO.:2162

THIS DEVICE COMPLIES WITH PART 15 OF THE FCC RULES. OPERATION IS SUBJECT TO THE FOLLOWING TWO CONDITIONS:
(1) THIS DEVICE MAY NOT CAUSE HARMFUL INTERFERENCE, AND (2) THIS DEVICE MUST ACCEPT ANY INTERFERENCE RECEIVED, INCLUDING INTERFERENCE THAT MAY CAUSE UNDESIRED OPERATION.

PRIVACY OF COMMUNICATIONS MAY NOT BE ENSURED WHEN USING THIS PHONE.

www.rca4phones.com
MADE IN CHINA FABRIQUE EN CHINE

HAC

RCA By Telefield
US:3F8W400B2162-A
REN:0.0B
FCC ID: MZV2-162A
IC:3921A-2162A

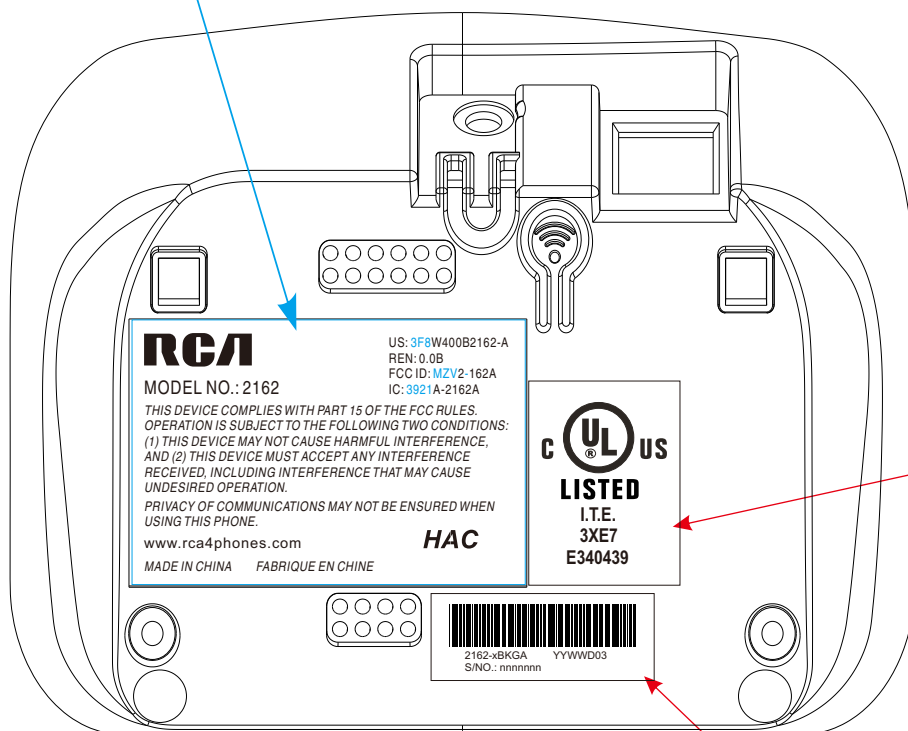
MODEL NO.:2162

THIS DEVICE COMPLIES WITH PART 15 OF THE FCC RULES. OPERATION IS SUBJECT TO THE FOLLOWING TWO CONDITIONS:
(1) THIS DEVICE MAY NOT CAUSE HARMFUL INTERFERENCE, AND (2) THIS DEVICE MUST ACCEPT ANY INTERFERENCE RECEIVED, INCLUDING INTERFERENCE THAT MAY CAUSE UNDESIRED OPERATION.

PRIVACY OF COMMUNICATIONS MAY NOT BE ENSURED WHEN USING THIS PHONE.

www.rca4phones.com
MADE IN CHINA FABRIQUE EN CHINE

HAC



UL no. label
Size:20x27mm

Base unit

Base SN label
Size:29.5x11.5mm



Base top cabinet