

2141-1BSGA label drawing

CCT BOM name: FTU-0078SA-US2BK00

Date: 2017-10-16

MODEL NO.: 2141
FCC ID: MZV2-142A
IC: 3921A-2142A
MADE IN CHINA
DC5V == 500mA
2141-1BSGA YYWWD03
S/NO.: nnnnnn

Handset product label

Size: 23.5x17.7mm

Location: Handset



Base SN label

Size: 29.5x11.5mm

Location: Base unit

Barcode format: Code 39

Barcode only include 14 digit characters(YYWWD03+nnnnnn)

nnnnnn: Serial number(7 digits), from 0000001 to 9999999

YY: Year code, 17=2017, 18=2018, ...

WW: Week code(01-53), 01=Week 01, 02=Week 02, ...

D: Check digit; equal to the 2nd digit of this date code

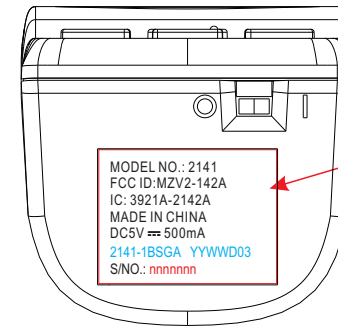
03: Factory code, 03=CCT



Base product label

Size: 40x30mm

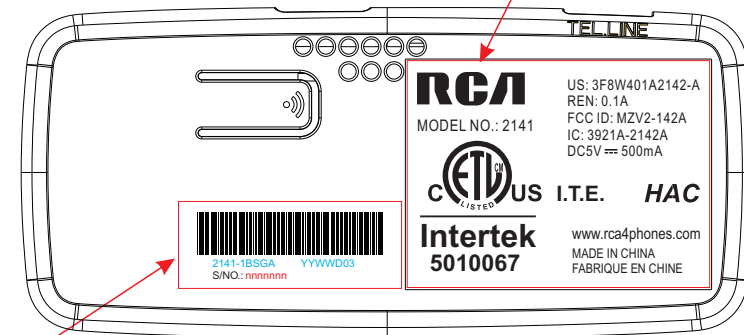
Location: Base unit



Handset product label

Size: 23.5x17.7mm

Handset bottom



Base product label

Size: 40x30mm

Base SN label

Size: 29.5x11.5mm

Base unit

2141-2BSGA label drawing

CCT BOM name: FTU-0078DA-US2BK00

Date: 2017-10-16

MODEL NO.: 2141
FCC ID: MZV2-142A
IC: 3921A-2142A
MADE IN CHINA
DC5V == 500mA
2141-2BSGA YYWWD03
S/NO.: nnnnnn

Handset product label

Size: 23.5x17.7mm

Location: Handset



Base SN label

Size: 29.5x11.5mm

Location: Base unit

Barcode format: Code 39

Barcode only include 14 digit characters(YYWWD03+nnnnnn)

nnnnnn : Serial number(7 digits), from 0000001 to 9999999

YY : Year code, 17=2017, 18=2018, ...

WW : Week code(01-53), 01=Week 01, 02=Week 02, ...

D : Check digit; equal to the 2nd digit of this date code

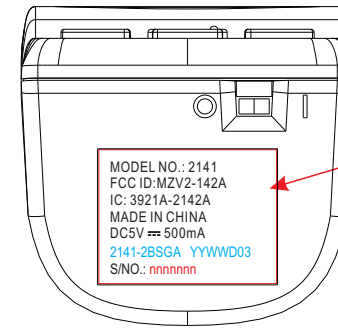
03 : Factory code, 03=CCT



Base product label

Size: 40x30mm

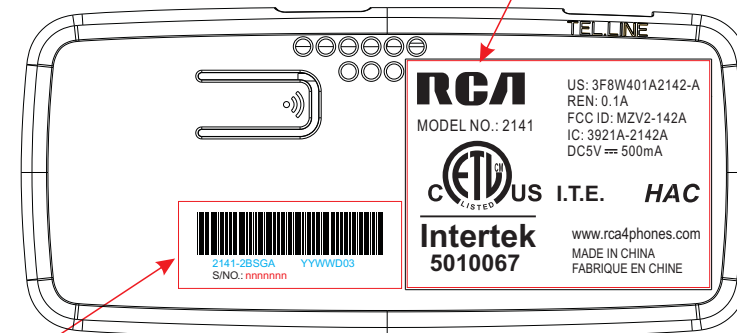
Location: Base unit



Handset product label

Size: 23.5x17.7mm

Handset bottom



Base product label

Size: 40x30mm

Base SN label

Size: 29.5x11.5mm

Base unit

2141-3BSGA label drawing

CCT BOM name: FTU-0078TA-US2BK00

Date: 2017-10-16

MODEL NO.: 2141
FCC ID: MZV2-142A
IC: 3921A-2142A
MADE IN CHINA
DC5V == 500mA
2141-3BSGA YYWWD03
S/NO.: nnnnnn

Handset product label

Size: 23.5x17.7mm

Location: Handset



Base SN label

Size: 29.5x11.5mm

Location: Base unit

Barcode format: Code 39

Barcode only include 14 digit characters(YYWWD03+nnnnnn)

nnnnnn : Serial number(7 digits), from 0000001 to 9999999

YY : Year code, 17=2017, 18=2018, ...

WW : Week code(01-53), 01=Week 01, 02=Week 02, ...

D : Check digit; equal to the 2nd digit of this date code

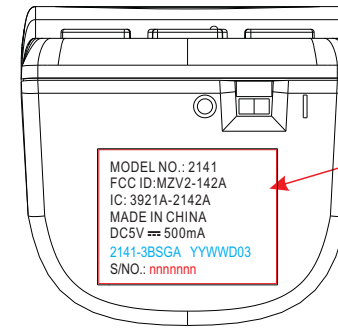
03 : Factory code, 03=CCT



Base product label

Size: 40x30mm

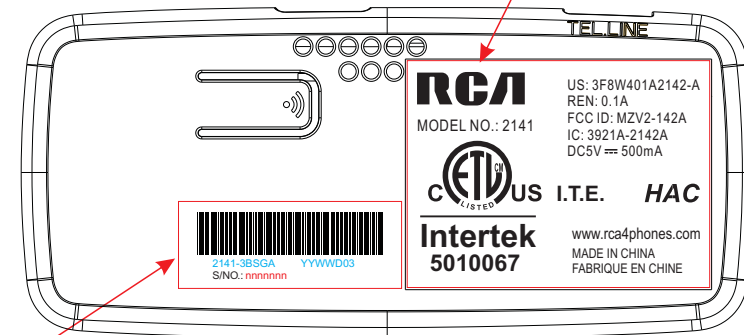
Location: Base unit



Handset product label

Size: 23.5x17.7mm

Handset bottom



Base product label

Size: 40x30mm

Base SN label

Size: 29.5x11.5mm

Base unit

2141-4BSGA label drawing

CCT BOM name: FTU-0078QA-US2BK00

Date: 2017-10-16

MODEL NO.: 2141
FCC ID: MZV2-142A
IC: 3921A-2142A
MADE IN CHINA
DC5V == 500mA
2141-4BSGA YYWWD03
S/NO.: nnnnnnn

Handset product label

Size: 23.5x17.7mm

Location: Handset



Base SN label

Size: 29.5x11.5mm

Location: Base unit

Barcode format: Code 39

Barcode only include 14 digit characters(YYWWD03+nnnnnnn)

nnnnnnn : Serial number(7 digits), from 0000001 to 9999999

YY : Year code, 17=2017, 18=2018, ...

WW : Week code(01-53), 01=Week 01, 02=Week 02, ...

D : Check digit; equal to the 2nd digit of this date code

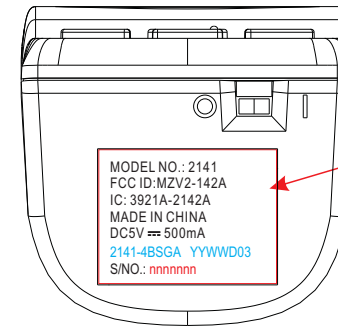
03 : Factory code, 03=CCT



Base product label

Size: 40x30mm

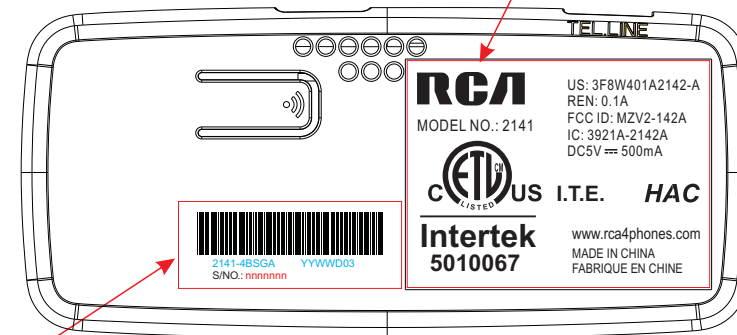
Location: Base unit



Handset product label

Size: 23.5x17.7mm

Handset bottom



Base product label

Size: 40x30mm

Base SN label

Size: 29.5x11.5mm

Base unit

2142-1BSGA label drawing

CCT BOM name: FTU-0079SA-US2BK00

Date: 2017-10-16

MODEL NO.: 2142
FCC ID: MZV2-142A
IC: 3921A-2142A
MADE IN CHINA
DC5V == 500mA
2142-1BSGA YYWWD03
S/NO.: nnnnnn

Handset product label

Size: 23.5x17.7mm

Location: Handset



Base SN label

Size: 29.5x11.5mm

Location: Base unit

Barcode format: Code 39

Barcode only include 14 digit characters(YYWWD03+nnnnnn)

nnnnnn: Serial number(7 digits), from 0000001 to 9999999

YY: Year code, 17=2017, 18=2018, ...

WW: Week code(01-53), 01=Week 01, 02=Week 02, ...

D: Check digit; equal to the 2nd digit of this date code

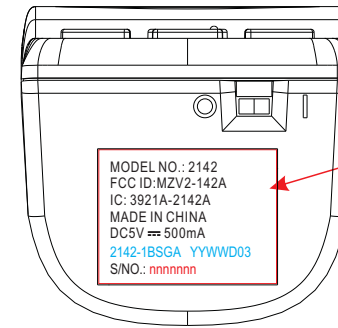
03: Factory code, 03=CCT



Base product label

Size: 40x30mm

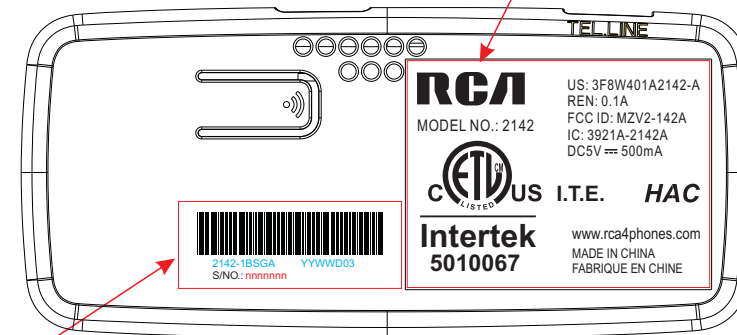
Location: Base unit



Handset product label

Size: 23.5x17.7mm

Handset bottom



Base product label

Size: 40x30mm

Base SN label

Size: 29.5x11.5mm

Base unit

2142-2BSGA label drawing

CCT BOM name: FTU-0079DA-US2BK00

Date: 2017-10-16

MODEL NO.: 2142
FCC ID: MZV2-142A
IC: 3921A-2142A
MADE IN CHINA
DC5V == 500mA
2142-2BSGA YYWWD03
S/NO.: nnnnnn

Handset product label

Size: 23.5x17.7mm

Location: Handset



Base SN label

Size: 29.5x11.5mm

Location: Base unit

Barcode format: Code 39

Barcode only include 14 digit characters(YYWWD03+nnnnnn)

nnnnnn : Serial number(7 digits), from 0000001 to 9999999

YY : Year code, 17=2017, 18=2018, ...

WW : Week code(01-53), 01=Week 01, 02=Week 02, ...

D : Check digit; equal to the 2nd digit of this date code

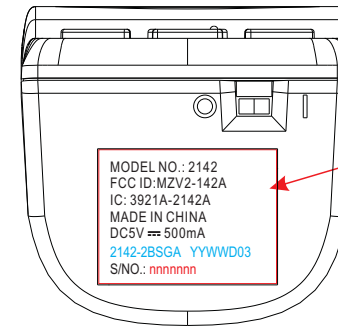
03 : Factory code, 03=CCT



Base product label

Size: 40x30mm

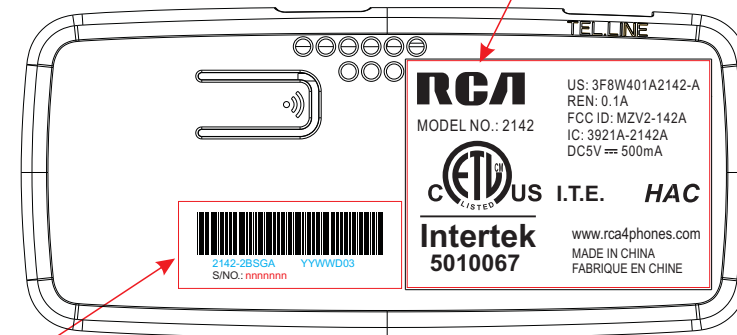
Location: Base unit



Handset product label

Size: 23.5x17.7mm

Handset bottom



Base product label

Size: 40x30mm

Base SN label

Size: 29.5x11.5mm

Base unit

2142-3BSGA label drawing

CCT BOM name: FTU-0079TA-US2BK00

Date: 2017-10-16

MODEL NO.: 2142
FCC ID: MZV2-142A
IC: 3921A-2142A
MADE IN CHINA
DC5V == 500mA
2142-3BSGA YYWWD03
S/NO.: nnnnnnn

Handset product label

Size: 23.5x17.7mm

Location: Handset



Base SN label

Size: 29.5x11.5mm

Location: Base unit

Barcode format: Code 39

Barcode only include 14 digit characters(YYWWD03+nnnnnnn)

nnnnnnn : Serial number(7 digits), from 0000001 to 9999999

YY : Year code, 17=2017, 18=2018, ...

WW : Week code(01-53), 01=Week 01, 02=Week 02, ...

D : Check digit; equal to the 2nd digit of this date code

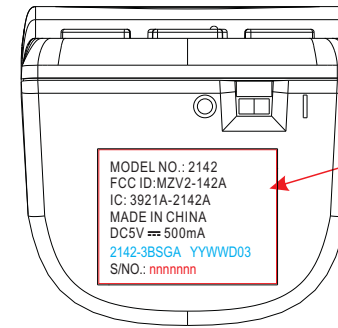
03 : Factory code, 03=CCT



Base product label

Size: 40x30mm

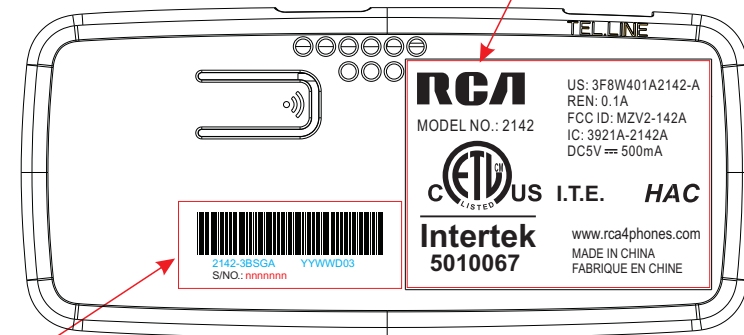
Location: Base unit



Handset product label

Size: 23.5x17.7mm

Handset bottom



Base product label

Size: 40x30mm

Base SN label

Size: 29.5x11.5mm

Base unit

2142-4BSGA label drawing

CCT BOM name: FTU-0079QA-US2BK00

Date: 2017-10-16

MODEL NO.: 2142
FCC ID: MZV2-142A
IC: 3921A-2142A
MADE IN CHINA
DC5V == 500mA
2142-4BSGA YYWWD03
S/NO.: nnnnnn

Handset product label

Size: 23.5x17.7mm

Location: Handset



Base SN label

Size: 29.5x11.5mm

Location: Base unit

Barcode format: Code 39

Barcode only include 14 digit characters(YYWWD03+nnnnnn)

nnnnnn : Serial number(7 digits), from 0000001 to 9999999

YY : Year code, 17=2017, 18=2018, ...

WW : Week code(01-53), 01=Week 01, 02=Week 02, ...

D : Check digit; equal to the 2nd digit of this date code

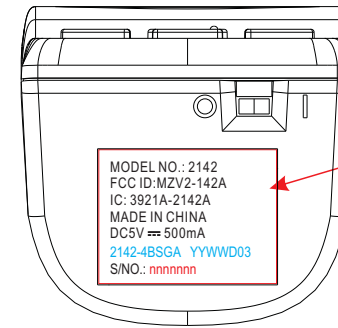
03 : Factory code, 03=CCT



Base product label

Size: 40x30mm

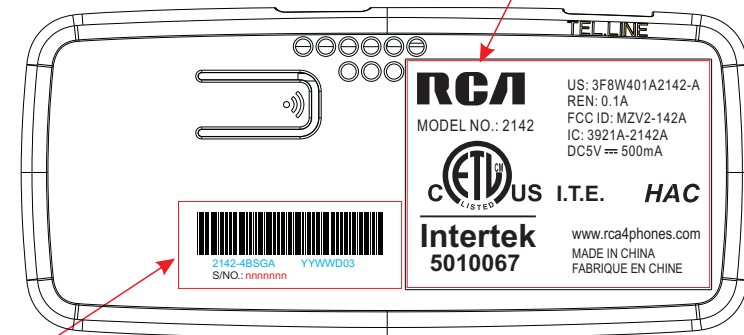
Location: Base unit



Handset product label

Size: 23.5x17.7mm

Handset bottom



Base product label

Size: 40x30mm

Base SN label

Size: 29.5x11.5mm

Base unit