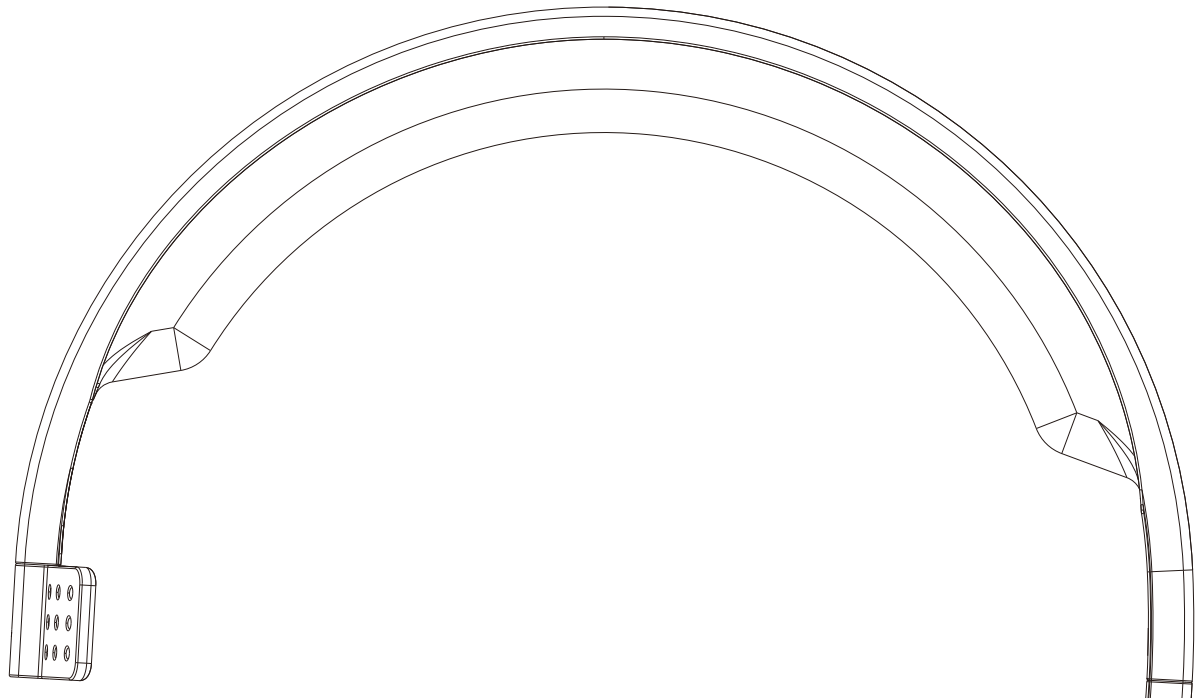
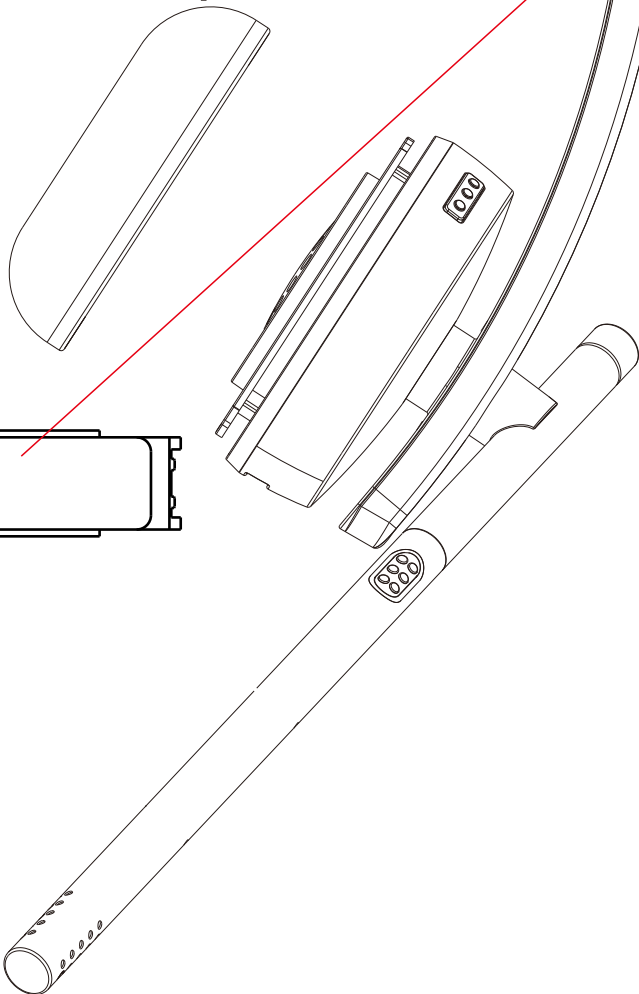


# Mono H820e AMR (A-00049)



Ear pad



21.3 mm

Model: A-00049  
FCC ID: MZV-MKC112  
IC: 3921A-MKC112

6.3 mm

SILK: Gloss Black

# Mono H820e EMEA (A-00058)

