

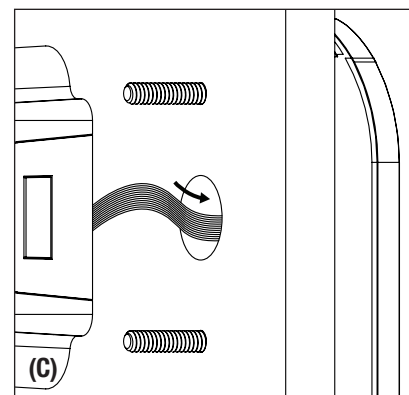
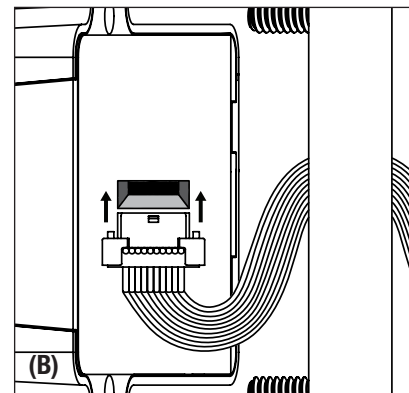
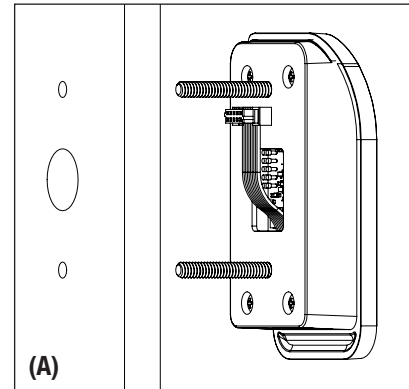
## Installation Instructions • Instructions d'installation Instrucciones de instalación

3681 • 3685

1. Open box
  - To prevent damage to the lock, DO NOT USE a sharp object to open packaging
  - Keypad module and lock module will be in same package
2. Remove keypad module and lock module from package
3. Open locker door
4. With one hand, align front housing through 2 mounting holes on the front of the locker door. **(A)**
  - Pull the connection ribbon through the large middle mounting hole
  - Note: The diameter of the mounting holes must be 7/32in minimum for proper installation and fit. If the holes are undersized, a 7/32in drill bit can be used to widen them.
5. With your other hand, line up the lock module on the back of the door and attach the connection ribbon **(B)**
6. Feed excess ribbon cable back into center mounting hole **(C)**
7. Line up the threaded screws from the keypad module with the holes in the lock module **(D)**
8. Install nuts on the threaded screw and tighten with 3/8in nut driver **(E)**
  - Note: Tighten fastener to a maximum torque of 3N-m (20-25in-lbs) to avoid product damage or lock failure
9. Close locker door
10. Test lock for functionality (Refer to Multi-User and Single-User Instructions)

Notes:

1. Battery included
2. Lock is configured to work on 1/32in, 1/2in, and 3/4in door depths
3. Lock is configured to work on left and right hinged doors

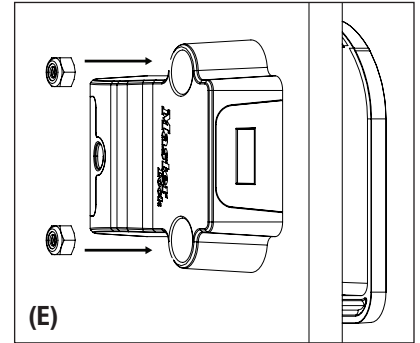
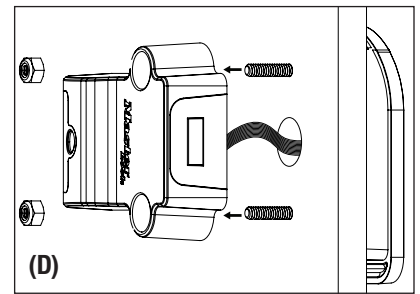


1. Open box
  - To prevent damage to the lock, DO NOT USE a sharp object to open packaging
  - Keypad module and lock module will be in same package
2. Remove keypad module and lock module from package
3. Open locker door
4. With one hand, align front housing through 2 mounting holes on the front of the locker door. **(A)**
  - Pull the connection ribbon through the large middle mounting hole
  - Note: the diameter of the mounting holes must be 7/32in minimum for proper installation and fit. If the holes are undersized, a 7/32in drill bit can be used to widen them.
5. With your other hand, line up the lock module on the back of the door and attach the connection ribbon **(B)**
6. Feed excess ribbon cable back into center mounting hole **(C)**
7. Line up the threaded screws from the keypad module with the holes in the lock module **(D)**
8. Install nuts on the threaded screw and tighten with 3/8in nut driver **(E)**
  - Note: tighten fastener to a maximum torque of 3N-m (20-25in-lbs) to avoid product damage or lock failure
9. Close locker door
10. Test lock for functionality (Refer to Multi-User and Single-User Instructions)

Notes:

1. Battery included
2. Lock is configured to work on 1/32in, 1/2in, and 3/4in door depths
3. Lock is configured to work on left and right hinged doors

1. Open box
  - To prevent damage to the lock, DO NOT USE a sharp object to open packaging
  - Keypad module and lock module will be in same package
2. Remove keypad module and lock module from package
3. Open locker door
4. With one hand, align front housing through 2 mounting holes on the front of the locker door. **(A)**
  - Pull the connection ribbon through the large middle mounting hole
  - Note: The diameter of the mounting holes must be 7/32in minimum for proper installation and fit. If the holes are undersized, a 7/32in drill bit can be used to widen them.
5. With your other hand, line up the lock module on the back of the door and attach the connection ribbon **(B)**
6. Feed excess ribbon cable back into center mounting hole **(C)**
7. Line up the threaded screws from the keypad module with the holes in the lock module **(D)**
8. Install nuts on the threaded screw and tighten with 3/8in nut driver **(E)**
  - Note: Tighten fastener to a maximum torque of 3N-m (20-25in-lbs) to avoid product damage or lock failure
9. Close locker door
10. Test lock for functionality (Refer to Multi-User and Single-User Instructions)

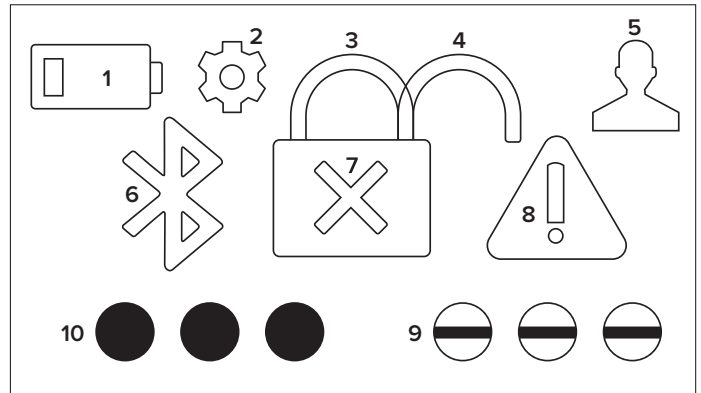


**Notes:**

1. Battery included
2. Lock is configured to work on 1/32in, 1/2in, and 3/4in door depths
3. Lock is configured to work on left and right hinged doors

# Display Screen Key Display Screen Key Display Screen Key

- |   |   |   |
|---|---|---|
| 1. Low Battery  | 1. Low Battery  | 1. Low Battery  |
| 2. Settings Mode  | 2. Settings Mode  | 2. Settings Mode  |
| 3. Locked   | 3. Locked   | 3. Locked   |
| 4. Unlocked   | 4. Unlocked   | 4. Unlocked   |
| 5. Single-User Mode                                     | 5. Single-User Mode                                     | 5. Single-User Mode                                     |
| 6. Bluetooth Mode -<br>ADA Model Only<br>(FOB Required) | 6. Bluetooth Mode -<br>ADA Model Only<br>(FOB Required) | 6. Bluetooth Mode -<br>ADA Model Only<br>(FOB Required) |
| 7. Invalid Code   | 7. Invalid Code   | 7. Invalid Code   |
| 8. Bolt Jam   | 8. Bolt Jam   | 8. Bolt Jam   |
| 9. Entered Code   | 9. Entered Code   | 9. Entered Code   |
| 10. Awaiting Code                                       | 10. Awaiting Code                                       | 10. Awaiting Code                                       |



The Bluetooth® word mark and logos are registered trademarks owned by Bluetooth SIG, Inc. and used under license by Master Lock Company LLC.

Le mot servant de marque Bluetooth® et les logos sont des marques enregistrées de Bluetooth SIG, Inc. et, utilisés sous licence par Master Lock Company LLC.

La palabra marca Bluetooth® y los logos son marcas registradas de propiedad de Bluetooth SIG, Inc. y utilizadas bajo licencia por Master Lock Company LLC.

Notice: This device complies with Industry Canada's license-exempt RSSs. Operation is subject to the following two conditions: (1) this device may not cause interference, and (2) this device must accept any interference including interference that may cause undesired operation of the device.

Notice: This device complies with Part 15 of the FCC Rules. Operation is subject to the following two conditions: (1) this device may not cause harmful interference, and (2) this device must accept any interference received, including interference that may cause undesired operation.

Changes or modifications made to this equipment not expressly approved by the party responsible for compliance could void the user's authority to operate the equipment.

Notice: This device complies with Industry Canada's license-exempt RSSs. Operation is subject to the following two conditions: (1) this device may not cause interference, and (2) this device must accept any interference including interference that may cause undesired operation of the device.

Notice: This device complies with Part 15 of the FCC Rules. Operation is subject to the following two conditions: (1) this device may not cause harmful interference, and (2) this device must accept any interference received, including interference that may cause undesired operation.

Changes or modifications made to this equipment not expressly approved by the party responsible for compliance could void the user's authority to operate the equipment.

Notice: This device complies with Industry Canada's license-exempt RSSs. Operation is subject to the following two conditions: (1) this device may not cause interference, and (2) this device must accept any interference including interference that may cause undesired operation of the device.

Notice: This device complies with Part 15 of the FCC Rules. Operation is subject to the following two conditions: (1) this device may not cause harmful interference, and (2) this device must accept any interference received, including interference that may cause undesired operation.

Changes or modifications made to this equipment not expressly approved by the party responsible for compliance could void the user's authority to operate the equipment.

