

PROPRIETARY INFORMATION

WARNING! For continued protection against fire, replace only with same type and rating of fuse.

WARNING! Risk of entrapment. After adjusting either the force of limits or travel adjustments, insure that the door reverses on a 1-1/2-inch (or a 2 by 4 board laid flat) high obstruction on the floor.

120VAC 60Hz 2.5A
For Indoor Use Only

CONFORMS TO UL STD. 325
CERTIFIED TO CSA STD. C22.2 No.247
DISCONNECT BEFORE SERVICING
Assembled in China



RESIDENTIAL GARAGE DOOR OPENER

This device complies with Part 15 of the FCC Rules. Operation is subject to the following conditions: (1) this device may not cause harmful interference, and (2) this device must accept any interference received, including interference that may cause undesired operation.

ATOMS™ Model : AT-600

FCC ID : MY5ATOMS
IC : 3133B-ATOMS

CAN RSS-Gen/CNR-Gen



WARNING! For continued protection against fire, replace only with same type and rating of fuse.

WARNING! Risk of entrapment. After adjusting either the force of limits or travel adjustments, insure that the door reverses on a 1-1/2-inch (or a 2 by 4 board laid flat) high obstruction on the floor.

120VAC 60Hz 2.5A
For Indoor Use Only

CONFORMS TO UL STD. 325
CERTIFIED TO CSA STD. C22.2 No.247
DISCONNECT BEFORE SERVICING
Assembled in China



RESIDENTIAL GARAGE DOOR OPENER

This device complies with Part 15 of the FCC Rules. Operation is subject to the following conditions: (1) this device may not cause harmful interference, and (2) this device must accept any interference received, including interference that may cause undesired operation.

ATOMS™ Model : AT-603

FCC ID : MY5ATOMS
IC : 3133B-ATOMS

CAN RSS-Gen/CNR-Gen



WARNING! For continued protection against fire, replace only with same type and rating of fuse.

WARNING! Risk of entrapment. After adjusting either the force of limits or travel adjustments, insure that the door reverses on a 1-1/2-inch (or a 2 by 4 board laid flat) high obstruction on the floor.

120VAC 60Hz 2.5A
For Indoor Use Only

CONFORMS TO UL STD. 325
CERTIFIED TO CSA STD. C22.2 No.247
DISCONNECT BEFORE SERVICING
Assembled in China



RESIDENTIAL GARAGE DOOR OPENER

This device complies with Part 15 of the FCC Rules. Operation is subject to the following conditions: (1) this device may not cause harmful interference, and (2) this device must accept any interference received, including interference that may cause undesired operation.

ATOMS™ Model : AT-800

FCC ID : MY5ATOMS
IC : 3133B-ATOMS

CAN RSS-Gen/CNR-Gen



WARNING! For continued protection against fire, replace only with same type and rating of fuse.

WARNING! Risk of entrapment. After adjusting either the force of limits or travel adjustments, insure that the door reverses on a 1-1/2-inch (or a 2 by 4 board laid flat) high obstruction on the floor.

120VAC 60Hz 2.5A
For Indoor Use Only

CONFORMS TO UL STD. 325
CERTIFIED TO CSA STD. C22.2 No.247
DISCONNECT BEFORE SERVICING
Assembled in China



RESIDENTIAL GARAGE DOOR OPENER

This device complies with Part 15 of the FCC Rules. Operation is subject to the following conditions: (1) this device may not cause harmful interference, and (2) this device must accept any interference received, including interference that may cause undesired operation.

ATOMS™ Model : AT-803

FCC ID : MY5ATOMS
IC : 3133B-ATOMS

CAN RSS-Gen/CNR-Gen



WARNING! For continued protection against fire, replace only with same type and rating of fuse.

WARNING! Risk of entrapment. After adjusting either the force of limits or travel adjustments, insure that the door reverses on a 1-1/2-inch (or a 2 by 4 board laid flat) high obstruction on the floor.

120VAC 60Hz 2.5A
For Indoor Use Only

CONFORMS TO UL STD. 325
CERTIFIED TO CSA STD. C22.2 No.247
DISCONNECT BEFORE SERVICING
Assembled in China



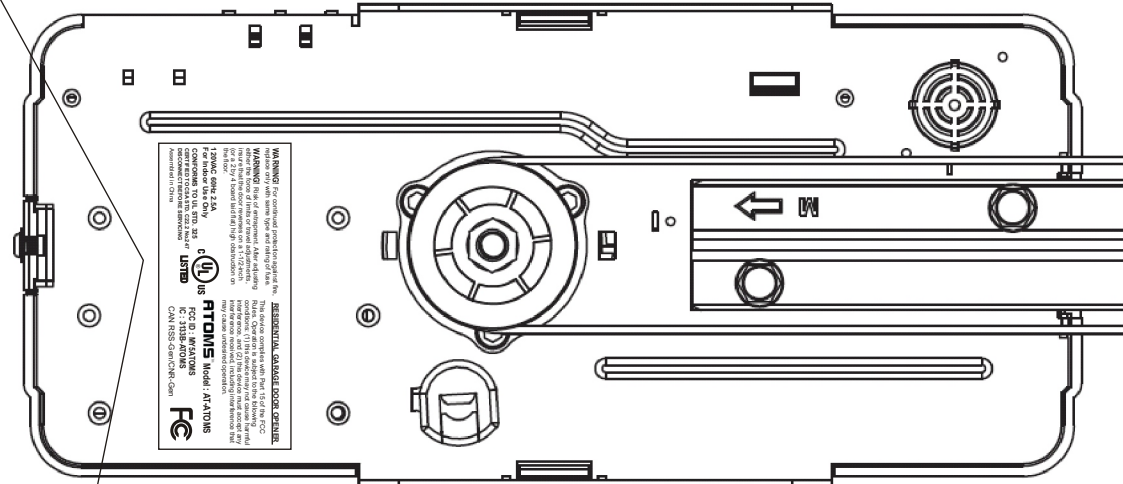
RESIDENTIAL GARAGE DOOR OPENER

This device complies with Part 15 of the FCC Rules. Operation is subject to the following conditions: (1) this device may not cause harmful interference, and (2) this device must accept any interference received, including interference that may cause undesired operation.

ATOMS™ Model : ATOMS

FCC ID : MY5ATOMS
IC : 3133B-ATOMS

CAN RSS-Gen/CNR-Gen



LABEL SIZE : 90 X 38MM

LABELING DIAGRAM

DATE : 28 Oct. 2015

PAGE : 1 OF 1