

Package Standard Operation Procedure

SPEC. REVISED & ISSUED

Description

1	Initial release
---	-----------------

PAGES	1	2	3	4	5	6	7	8	9	10	G1	G2	PAGES	1	2	3	4	5	6	7	8	9	10	G1	G2
REV. NO.	1.0	1.0	1.0	*	*	*	*	*	*	*	1.0	*	REV. NO.												

<p>TITLE :</p> <p>WSMS-140X433AU1_4-20 (R)</p> <p>P/N: 990-100-0458R</p>	 正文科技股份有限公司 <small>Wireless Broadband Anywhere</small> Gemtek Technology Co., Ltd.
--	---

WRITER	DATE M/D/Y		REV.
Kate Jin	8/7/2018		T01

Note:

1. Pallet-layer height: Air transportation: 4 layers
Sea transportation: 6 layers
2. 防水頭線材繞成90*90mm(+/-10mm)圓圈，並用束線捆綁
3. 裝箱后Box Label需朝上
4. 棧板打包方式依廠內作業規範
5. 各零件內容之檢驗，請依各料號之材料承認書

D

C

B

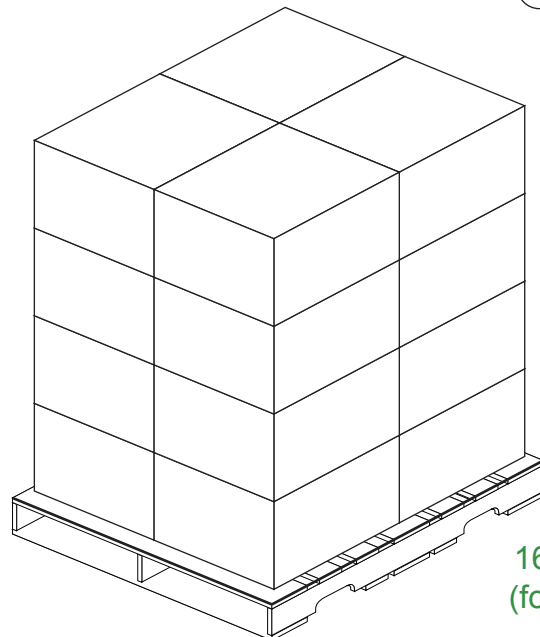
A

D

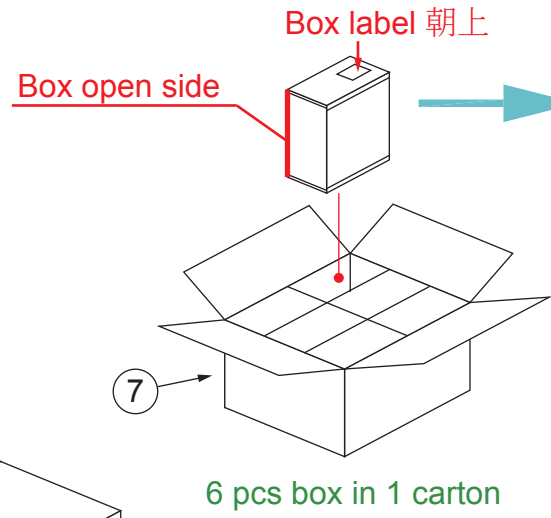
C

B

A



16 pcs carton in 1 pallet
(for Air)



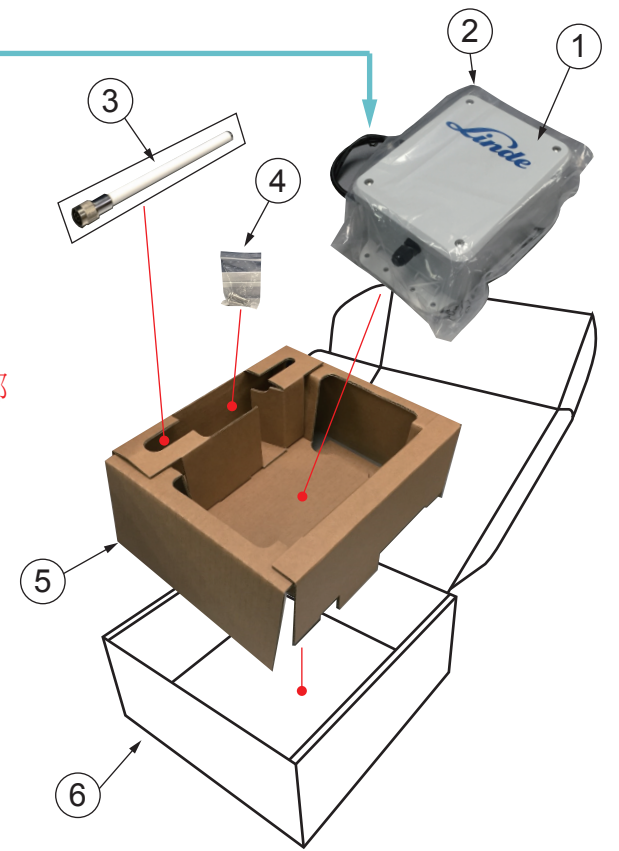
6 pcs box in 1 carton



防水頭線材繞成
80*80mm+/-10mm
圓圈，並用束線捆綁



螺絲用膠帶
貼在隔板上



No	TITLE	Q'TY
1	WSMS-140	1
2	PE Bag	1
3	Antenna	1
4	Screw	1

No	TITLE	Q'TY
5	Hold-paper	1
6	Box	1
7	Carton	1/6
8	Pallet	1/96

TOLERANCE (UNLESS OTHERWISE SPEC.)

0 ~ 29.99	±0.10
30.0 ~ 119.99	±0.15
120.0 ~ 299.99	±0.20
300 or GREATER	±0.40
ANGULAR TOL.	0± 0.50°

DESIGNED BY: _____
DRAWN BY: **Kate Jin**
APPROVED BY: **Costa Tsai**

DWG TITLE: **PACKAGE**

MODEL NAME: **WSMS-140X433AU1_4-20 (R)**

THIRD ANGLE PROJECTION

Gemtek 正文科技股份有限公司
Wireless Broadband Anywhere Gemtek Technology Co., Ltd.

INFORMATION CONTAINED ON ALL SHEETS OF THIS PRINT CAN NOT BE REPRODUCED OR USED, IN WHOLE OR IN PART, WITHOUT GEMTEK'S CONSENT. THIS NOTICE DOES NOT IMPLY PUBLICATION.

UNIT	SCALE	SIZE	SHEET	REV.
			1	1.0

DWG / PART NO. **990-100-0458R**

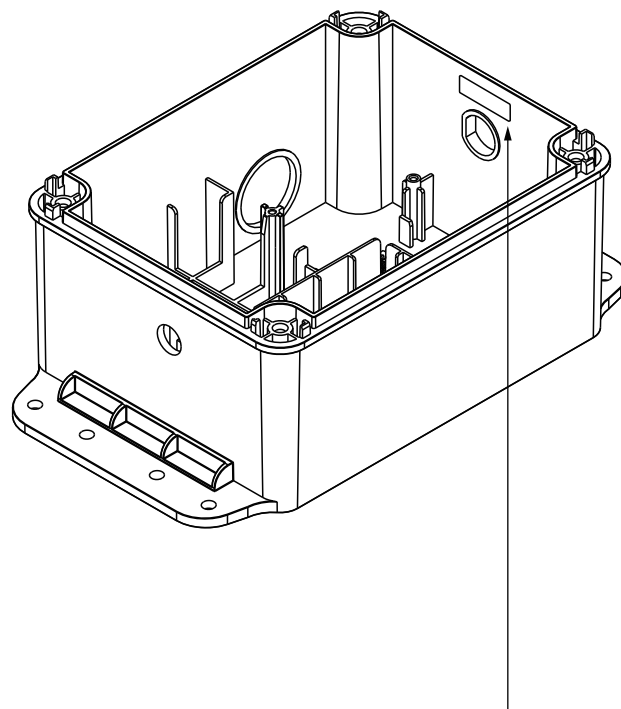
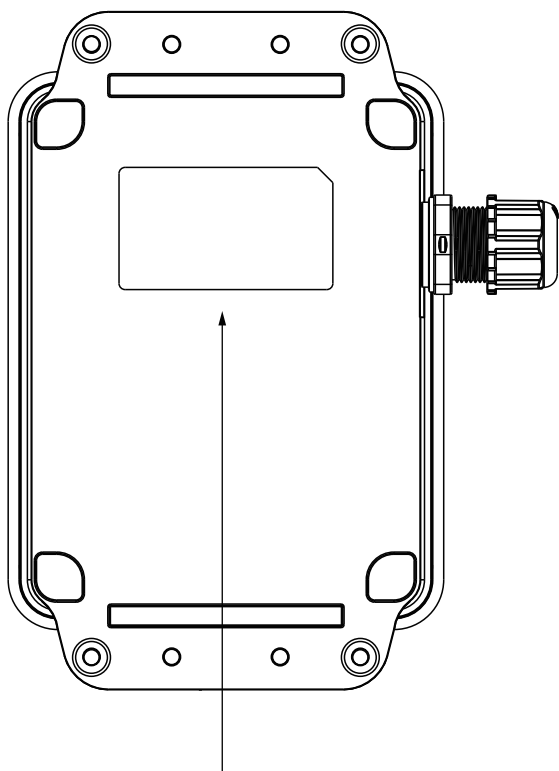
1

3

4


5


6





Telemetry Unit *Linde*

Model name: WSMS-140_C
 Type: Input 4-20
 Linde P/N: ZZ 037602
 FCC ID: MXF-WSMS-140

BLE No.: 
 XXXXXXXXXXXXX

LoRa MAC: 
 10XXXXXX

IP rating: IP66 Made in Taiwan

LoRa MAC:
10XXXXXX

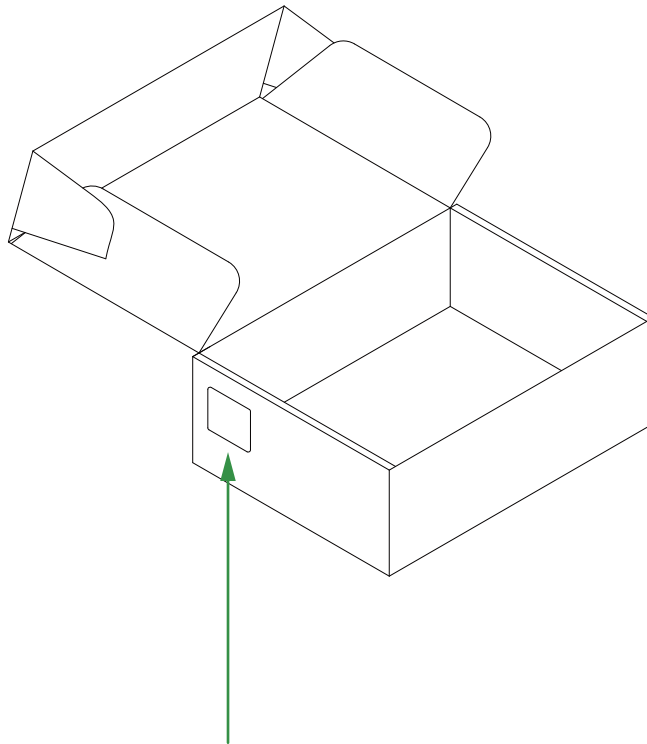
LoRa MAC label

Back label

注意


1. Label 張貼處如圖所示，請注意張貼方向。
2. BLE No.: Gemtek Wi-Fi system 跳一號
ex.DCFB02320000,2,4....
3. LoRa MAC: Gemtek LoRa system 10XXXXXX (共8碼)
10 (1-2碼): 固定不變為10
XXXXXX (3-8碼): 為流水碼
4. 其他打印資訊 - 固定不變
5. Barcode Type: Code 128
6. 字體皆為 Arial
7. 各零件內容之檢驗，請依各料號之材料承認書。


Description	Back label	P/N	420-120-1334R	Description	LoRa MAC label	P/N	420-900-0018G
 正文科技股份有限公司 <small>Wireless Broadband Anywhere</small> Gemtek Technology Co., Ltd.				TITLE :		REV.	
				Package Standard Operation Procedure		990-100-0458R	1.0



Telemetry Unit

Model name: WSMS-140_C
 Type: Input 4-20
 Linde P/N: ZZ 037602


BLE No.: 
 XXXXXXXXXXXXX

LoRa MAC: 
 10XXXXXX

Box label

注意

1. Box label 張貼處如圖所示，請注意張貼方向。
2. BLE No.: 同 Back label
3. LoRa MAC: 同 Back label
4. Barcode Type: Code 128
5. 字體皆為 Arial
6. 各零件內容之檢驗，請依各料號之材料承認書。

Description	Box label	P/N	42K-902-0624R	Description		P/N	
 正文科技股份有限公司 <small>Wireless Broadband Anywhere</small> Gemtek Technology Co., Ltd.				TITLE : Package Standard Operation Procedure		990-100-0458R	REV.
							1.0

Carton label

Telemetry Unit

Model name: WSMS-140_C

Type: Input 4-20

Linde P/N: ZZ 037602



LoRa MAC:10XXXXXX



LoRa MAC:10XXXXXX



LoRa MAC:10XXXXXX



LoRa MAC:10XXXXXX



LoRa MAC:10XXXXXX

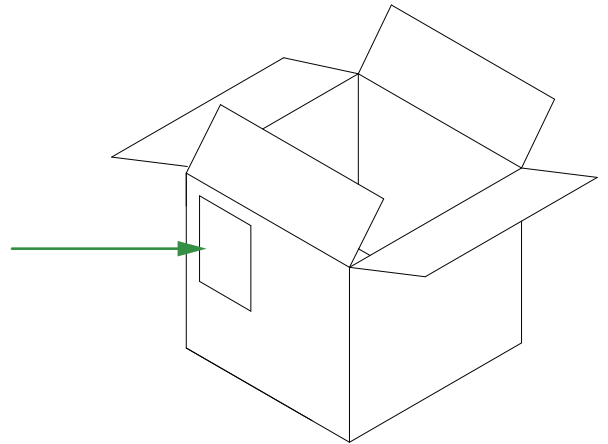


LoRa MAC:10XXXXXX

Q'TY : 6 PCS

CNT. ID:

MADE IN TAIWAN



依實際出貨數量變更

依實際生產地變更

注意

1. Carton label 張貼處如圖所示，請注意張貼方向。
2. LoRa MAC: 同 Back label
3. Barcode Type: Code 128
4. 字體皆為 Arial
5. 各零件內容之檢驗，請依各料號之材料承認書。

Description	Carton label	P/N	42K-900-0715R	Description	P/N	REV.
正文科技股份有限公司 <small>Wireless Broadband Anywhere</small> Gemtek Technology Co., Ltd.				TITLE : Package Standard Operation Procedure		990-100-0458R 1.0