

**Copyright © Gemtek Technology Co., Ltd. 2015.**

**All rights reserved.**

No part of this document may be reproduced or transmitted in any form or by any means without prior written consent of Gemtek Technology Co., Ltd.

The product described in this manual may include copyrighted software of Gemtek Technology Co., Ltd and possible licensors. Customers shall not in any manner reproduce, distribute, modify decompile, disassemble, decrypt, extract, reverse engineer, lease, assign, or sublicense the said software, unless such restrictions are prohibited by applicable laws or such actions are approved by respective copyright holders under licenses.

**Trademarks and Permissions**

 ,  and  are

trademarks or registered trademarks of Gemtek Technology Co., Ltd.

Other trademarks, product, service and company names mentioned are the property of their respective owners.

**Notice**

Some features of the product and its accessories described herein rely on the software installed, capacities and settings of local network, and may not be activated or may be limited by local network operators or network service providers, thus the descriptions herein may not exactly match the product or its accessories you purchase.

Gemtek Technology Co., Ltd reserves the right to change or modify any information or specification contained in this manual without prior notice or obligation.

**NO WARRANTY**

THE CONTENTS OF THIS MANUAL ARE PROVIDED “AS IS”. EXCEPT AS REQUIRED BY APPLICABLE LAWS, NO WARRANTIES OF ANY KIND, EITHER EXPRESS OR IMPLIED, INCLUDING BUT NOT LIMITED TO, THE IMPLIED WARRANTIES OF MERCHANTABILITY AND FITNESS FOR A PARTICULAR PURPOSE, ARE MADE IN RELATION TO THE ACCURACY, RELIABILITY OR CONTENTS OF THIS MANUAL.

TO THE MAXIMUM EXTENT PERMITTED BY APPLICABLE LAW, IN NO CASE SHALL GEMTEK TECHNOLOGY CO., LTD BE LIABLE FOR ANY SPECIAL, INCIDENTAL, INDIRECT, OR CONSEQUENTIAL DAMAGES, OR LOST PROFITS, BUSINESS, REVENUE, DATA, GOOFWILL OR ANTICIPATED SAVINGS.

**Import and Export Regulations**

Customers shall comply with all applicable export or import laws and regulations and will obtain all necessary governmental permits and licenses in order to export, re-export or import the product mentioned in this manual including the software and technical data therein.

## Contents

Getting to Know the ME936.....	
Assembly.....	

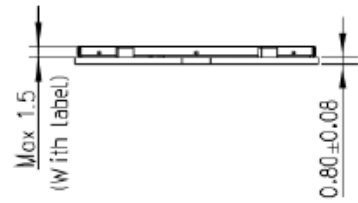
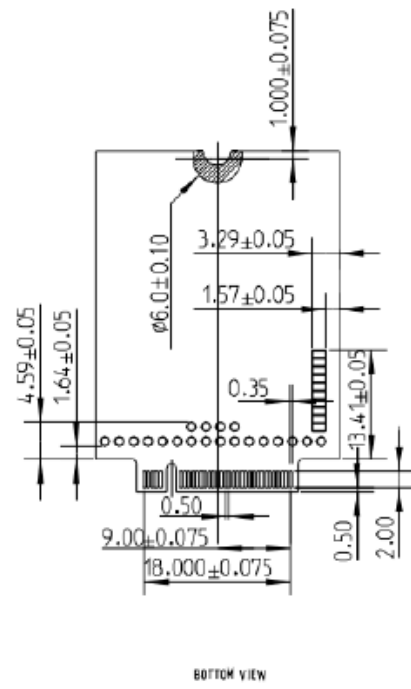
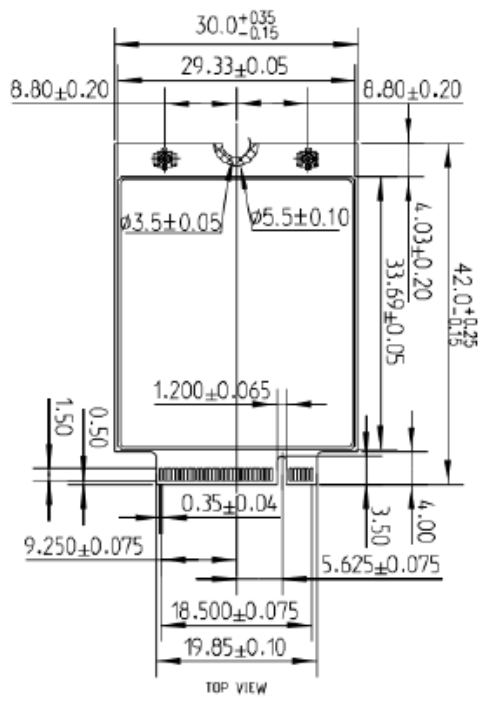
**Thank you for purchasing Gemtek ME936 HSPA+ M.2 Module (hereinafter referred to as the ME936)**

**Note:**

- This manual briefly describes the preparation, the process for PCB Design, Assembly and safety precautions.
- It is recommended to read the manual before using the ME936.

**Getting to Know the ME936**

- The ME936 module is 75 pin Gold Finger with a dimension of 42 mm x 30 mm x 2.3mm. It is applied to the user interface board, and can be used as a wireless terminal in a network environment.



## Assembly

Through the M.2 connector

