

CPE7000 Outdoor Dual Mode - Quick Installation Guide

Introduction

This Quick Installation Guide covers the basic installation of the CPE7000 Outdoor Dual Mode

Overview The CPE7000 is a Dual Mode subscriber station designed to provide Internet access for a home or small office which provides the 4G Internet link.

The device includes:

- One standard RJ-45 Ethernet port for LAN connections.
- One 8 PIN RJ-45 Ethernet port for connection to the ODU. This cable provides a dedicated Power-over-Ethernet (PoE) power supply to the ODU, and should be connected to an AC power connection (100 to 240 V, 50 to 60 Hz).
- One RJ-11 port for VoIP connection to telephone.

The package includes:

- The LTE ODU Device
- One POE power supply
- US power cord
- Quick Start Guide
- PoleMount (M10~100Bolt, Nuts & Spring Washers)

Before installing the ODU, verify that you have all the items listed in the package checklist. If any of the items are missing or damaged, please contact your service provider.

Installing the ODU

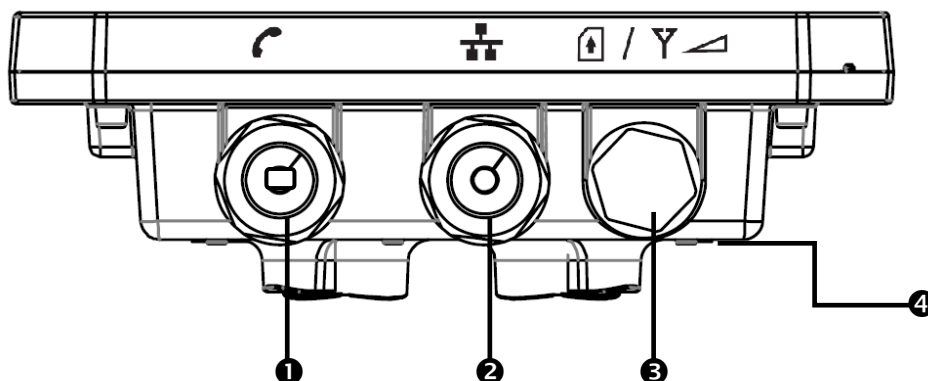
The ODU should be pole-mounted outdoors and aligned so its antenna faces the nearest base station. When selecting a suitable location for the unit, consider these guidelines:

- Place the ODU as high as possible to achieve the best possible link quality.
- Place the ODU away from power and telephone lines.
- Avoid placing the ODU too close to any metallic reflective surfaces.
- Be sure to ground the ODU with an appropriate grounding wire (not included) by attaching it to the grounding screw on the unit and to a good ground connection.

Check below items on the CPE to help you install the outdoor CPE smoothly:

- One RJ-11 connector for connecting to the telephone line.
 - One RJ-45 connector for connecting to the PoE adaptor.
 - LED indicator inside and SIM card slot for inserting SIM card.
 - A grounding screw on the rear panel.
-

Mounting the ODU



Mount the ODU unit on a 1"-4" pole using the supplied kit (Figure 1), or the optional Tilt accessory.

Using the Clamp

- 1 Tread the M10*100mm bolt through a spring washer, flat washer and the bracket holes.
- 2 With the connector facing downward, attach the ODU to a 1" -4" pole.
- 3 Attach the bracket to the other side of the pole.
- 4 Thread the M10*100 mm bolts through both holes on either side. Tighten the nuts.

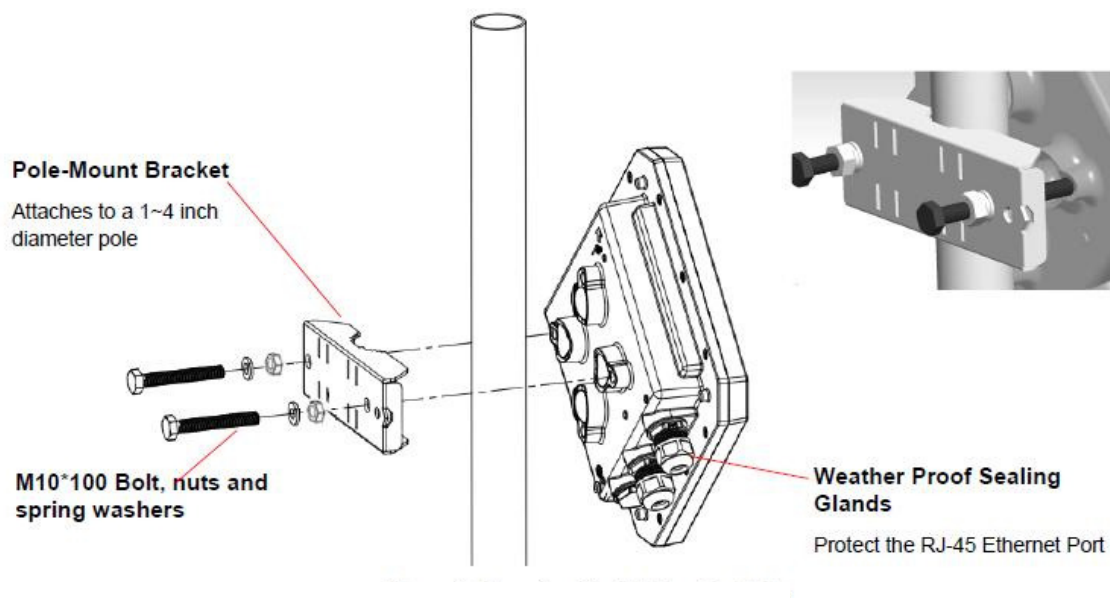


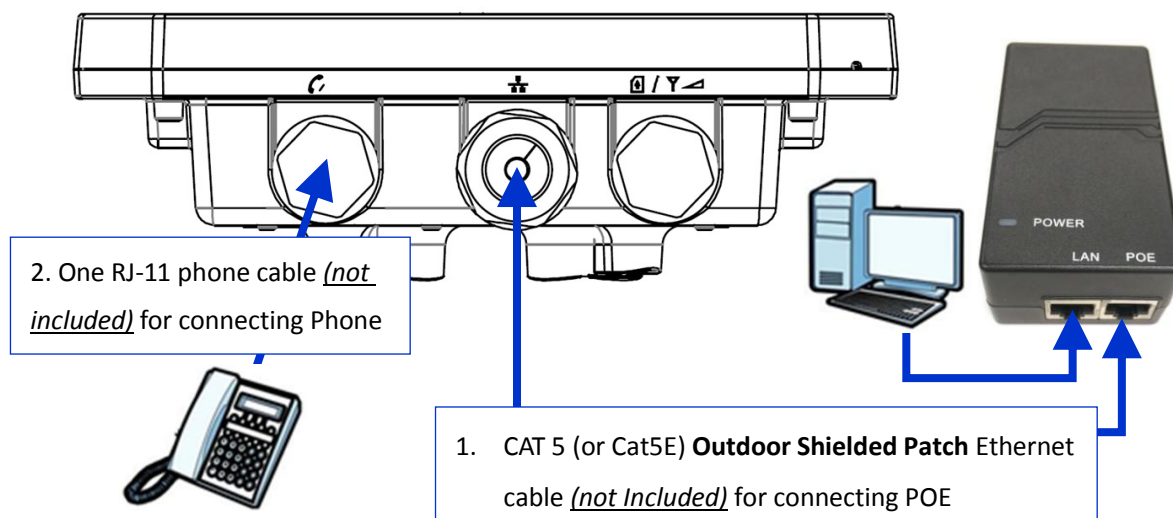
Figure 1: Mounting the ODU on the Pole

Connecting the Cables

<Figures 2> demonstrates how ODU Device connected. Be sure RJ-45 and telephone line are well connected to ODU Device.

- Using a phone line to connect the telephone with RJ-11 port.
- Available for other device such as PC/Hub/Switch connected to LAN port.

Figure 2: CPE Connections



CAUTION



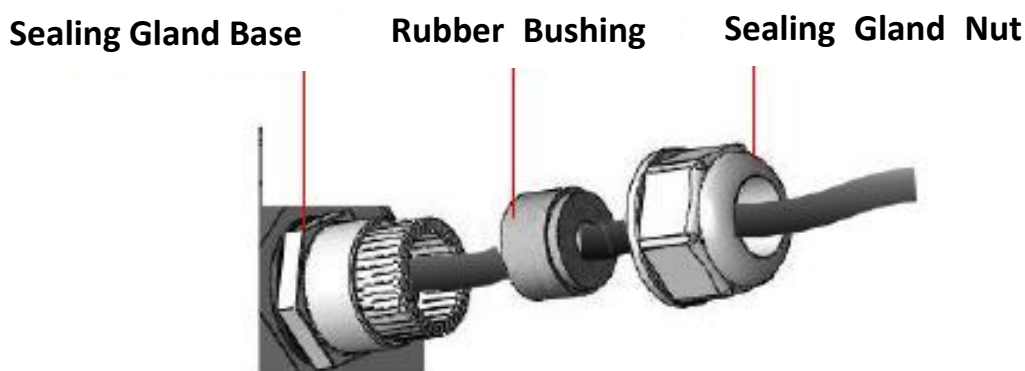
Do not connect the data equipment to the PoE port, as it supplies DC power to the ODU, and this may harm other equipment connected to it.

Preparing and Connecting the Cable

Use only Category 5E 4x2x24# FTP outdoor cables from an approved manufacturer. The cable provides pin-to-pin connection on both ends.

1. **Prepare the cable:** Use a crimp tool for RJ-45 connectors to prepare the wires. Insert them into the appropriate pins and use the tool to crimp the connector. Make sure to do the following:
 - A. Remove as small a length as possible of the external jacket. Verify that the external jacket is well inside the sealing cover when connected to the unit, to ensure good sealing.
 - B. Pull back the shield drain wire before inserting the cable into the RJ-45 connector, to ensure a good connection with the connector's shield after crimping.
2. **Connect the cable (see Figure 3):**
 - A. Remove the sealing gland plug from the gland nut.
 - B. Open the sealing gland nut and remove it. Do not disassemble the gland base from the bracket.
 - C. Insert the cable into the sealing gland base and connect it to the RJ-45 connector at the bottom of the ODU, labeled. Make sure that the connector is completely inserted and tightened.
 - D. Insert the rubber bushing on the cable into the gland base.

Figure 3: Cable Insertion



Inserting the Cable into the Sealing Cap

Easy Setup

Follow the steps below to configure your device through the web interface:

Step 1: Click the web browser (Internet Explorer) and enter default IP address of the ODU CPE: <http://192.168.254.251>

Step 2: Enter ODU administrator login username/password to access the web management interface. The default username/password: **admin/admin**.


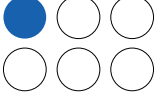
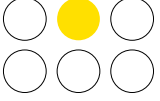
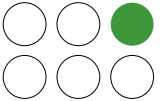
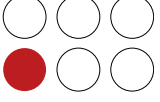
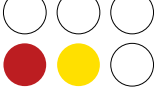
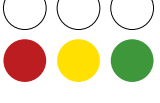
Step 3: Simply configure the device settings after login <Figure 4>.

Figure 4: User Interface



Checking for Proper Operation

- Verify data connectivity by sending a ping command to the BTS or by connecting to the Internet.
- Check the LED functionality according to the following table:

LED Name	Location	Color	LED Behavior	Status Indication
LED list				
Main Power		Blue	ON	Power On
			OFF	Power Off
Ethernet Status		Yellow	Steady ON	Ethernet connected
			Blinking	Data transmission
			OFF	No Ethernet action
SIM status		Green	Steady ON	SIM Detected
			Blinking when On-hook	PUK / PIN Code
			OFF	No SIM Detected
4G Status LED : Link Status			After power on, LED color will indicate different link status as below:	
4G-1		Red	Steady ON	CINR < 8dB
4G-2		Red/ Yellow	Steady ON	8dB < CINR < 24dB
4G-3		Red/Yellow/Green	Steady ON	CINR >= 24dB

CPE7000 Outdoor Dual Mode - Quick Installation Guide

Federal Communication Commission Interference Statement

This equipment has been tested and found to comply with the limits for a Class B digital device, pursuant to Part 15 of the FCC Rules. These limits are designed to provide reasonable protection against harmful interference in a residential installation. This equipment generates uses and can radiate radio frequency energy and, if not installed and used in accordance with the instructions, may cause harmful interference to radio communications. However, there is no guarantee that interference will not occur in a particular installation. If this equipment does cause harmful interference to radio or television reception, which can be determined by turning the equipment off and on, the user is encouraged to try to correct the interference by one of the following measures:

- Reorient or relocate the receiving antenna.
- Increase the separation between the equipment and receiver.
- Connect the equipment into an outlet on a circuit different from that to which the receiver is connected.
- Consult the dealer or an experienced radio/TV technician for help.

FCC Caution: Any changes or modifications not expressly approved by the party responsible for compliance could void the user's authority to operate this equipment. This device complies with Part 15 of the FCC Rules. Operation is subject to the following two conditions: (1) This device may not cause harmful interference, and (2) this device must accept any interference received, including interference that may cause undesired operation.

IMPORTANT NOTE:

Radiation Exposure Statement:

This equipment complies with FCC radiation exposure limits set forth for an uncontrolled environment. This equipment should be installed and operated with minimum distance 20cm between the radiator & your body.

This transmitter must not be co-located or operating in conjunction with any other antenna or transmitter.

Country Code selection feature to be disabled for products marketed to the US/CANADA

Industry Canada statement:

This device complies with Industry Canada's licence-exempt RSSs. Operation is subject to the following two conditions:

- (1) This device may not cause interference; and (2) This device must accept any interference, including interference that may cause undesired operation of the device.
- (1) Cet appareil est conforme aux CNR exemptes de licence d'Industrie Canada. Son fonctionnement est soumis aux deux conditions suivantes: (1) Ce dispositif ne peut causer d'interférences; et (2) Ce dispositif doit accepter toute interférence, y compris les interférences qui peuvent causer un mauvais fonctionnement de l'appareil.

Radiation Exposure Statement:

This equipment complies with IC radiation exposure limits set forth for an uncontrolled environment. This equipment should be installed and operated with minimum distance 20cm between the radiator & your body.

Déclaration d'exposition aux radiations:

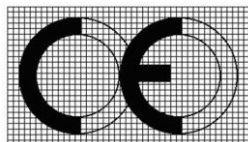
Cet équipement est conforme aux limites d'exposition aux rayonnements IC établies pour un environnement non contrôlé. Cet équipement doit être installé et utilisé avec un minimum de 20 cm de distance entre la source de rayonnement et votre corps.

CPE7000 Outdoor Dual Mode - Quick Installation Guide

Europe – EU Declaration of Conformity

This device complies with the essential requirements of the R&TTE Directive 1999/5/CE. The following test methods have been applied in order to prove presumption of conformity with the essential requirements of the R&TTE Directive 1999/5/CE:

- EN 60950-1 : 2006 + A11 + A1 + A12 + A2: 2013
- EN62311 : 2008
- EN 300 328 V1.8.1: 2012
- EN 301 489-1 V1.9.2: 2011
- EN 301 489-17 V2.2.1: 2012



In Italy the end-user should apply for a license at the national spectrum authorities in order to obtain authorization to use the device for setting up outdoor radio links and/or for supplying public access to telecommunications and/or network services.

cs Česky [Czech]	<i>[Iméno výrobce]</i> tímto prohlašuje, že tento <i>[typ zařízení]</i> je ve shodě se základními požadavky a dalšími příslušnými ustanoveními směrnice 1999/5/ES.
da Dansk [Danish]	Undertegnede <i>[fabrikantens navn]</i> erklærer herved, at følgende udstyr <i>[udstyrets typebetegnelse]</i> overholder de væsentlige krav og øvrige relevante krav i direktiv 1999/5/EF.
de Deutsch [German]	Hiermit erkläre <i>[Name des Herstellers]</i> , dass sich das Gerät <i>[Gerätetyp]</i> in Übereinstimmung mit den grundlegenden Anforderungen und den übrigen einschlägigen Bestimmungen der Richtlinie 1999/5/EG befindet.
et Eesti [Estonian]	Käesolevaga kinnitab <i>[tootja nimi = name of manufacturer]</i> seadme <i>[seadme tüüp = type of equipment]</i> vastavust direktiivi 1999/5/EÜ põhinõuetele ja nimetatud direktiivist tulenevatele teistele asjakohastele sätetele.
en English	Hereby, <i>[name of manufacturer]</i> , declares that this <i>[type of equipment]</i> is in compliance with the essential requirements and other relevant provisions of Directive 1999/5/EC.
es Español [Spanish]	Por medio de la presente <i>[nombre del fabricante]</i> declara que el <i>[clase de equipo]</i> cumple con los requisitos esenciales y cualesquiera otras disposiciones aplicables o exigibles de la Directiva 1999/5/CE.
el Ελληνική [Greek]	ΜΕ ΤΗΝ ΠΑΡΟΥΣΑ <i>[name of manufacturer]</i> ΔΗΛΩΝΕΙ ΟΤΙ <i>[type of equipment]</i> ΣΥΜΜΟΡΦΩΝΕΤΑΙ ΠΡΟΣ ΤΙΣ ΟΥΣΙΩΔΕΙΣ ΑΠΑΙΤΗΣΕΙΣ ΚΑΙ ΤΙΣ ΛΟΙΠΕΣ ΣΧΕΤΙΚΕΣ ΔΙΑΤΑΞΕΙΣ ΤΗΣ ΟΔΗΓΙΑΣ 1999/5/ΕΚ.
fr Français [French]	Par la présente <i>[nom du fabricant]</i> déclare que l'appareil <i>[type d'appareil]</i> est conforme aux exigences essentielles et aux autres dispositions pertinentes de la directive 1999/5/CE.
it Italiano [Italian]	Con la presente <i>[nome del costruttore]</i> dichiara che questo <i>[tipo di apparecchio]</i> è conforme ai requisiti essenziali ed alle altre disposizioni pertinenti stabilite dalla direttiva 1999/5/CE.
lv Latviski [Latvian]	Ar šo <i>[name of manufacturer / izgatavotāja nosaukums]</i> deklarē, ka <i>[type of equipment / iekārtas tips]</i> atbilst Direktīvas 1999/5/EK būtiskajām prasībām un citiem ar to saistītajiem noteikumiem.
lt Lietuvių [Lithuanian]	Šiuo <i>[manufacturer name]</i> deklaruoją, kad šis <i>[equipment type]</i> atitinka esminius reikalavimus ir kitas 1999/5/EB Direktyvos nuostatas.
nl Nederlands [Dutch]	Hierbij verklaart <i>[naam van de fabrikant]</i> dat het toestel <i>[type van toestel]</i> in overeenstemming is met de essentiële eisen en de andere relevante bepalingen van richtlijn 1999/5/EG.
mt Malti [Maltese]	Hawnhekk, <i>[isem tal-manifattur]</i> , jiddikjara li dan <i>[il-mudel tal-prodott]</i> jikkonforma mal-ftigijiet essenzjali u ma provvedimenti oħrajn rilevanti li hemm fid-Dirrettiva 1999/5/EC.
hu Magyar [Hungarian]	Alulírott, <i>[gyártó neve]</i> nyilatkozom, hogy a <i>[... típus]</i> megfelel a vonatkozó alapvető követelményeknek és az 1999/5/EC irányelv egyéb előírásainak.
pl Polski [Polish]	Niniejszym <i>[nazwa producenta]</i> oświadczam, że <i>[nazwa wyrobu]</i> jest zgodny z zasadniczymi wymogami oraz pozostałymi stosownymi postanowieniami Dyrektywy 1999/5/EC.
pt Português	<i>[Nome do fabricante]</i> declara que este <i>[tipo de equipamento]</i> está conforme com os requisitos essenciais e outras disposições da Directiva 1999/5/CE.
sl Slovensko	<i>[Ime proizvajalca]</i> izjavlja, da je ta <i>[tip opreme]</i> v skladu z bistvenimi zahtevami in ostalimi relevantnimi določili direktive 1999/5/ES.
sk Slovensky [Slovak]	<i>[Meno výrobcu]</i> týmto vyhlasuje, že <i>[typ zariadenia]</i> spĺňa základné požiadavky a všetky príslušné ustanovenia Smernice 1999/5/ES.
fi Suomi [Finnish]	<i>[Valmistaja = manufacturer]</i> vakuuttaa täten että <i>[type of equipment = laitteen tyyppimerkintä]</i> tyypinen laite on direktiivin 1999/5/EY oleellisten vaatimusten ja sitä koskevien direktiivin muiden ehtojen mukainen.