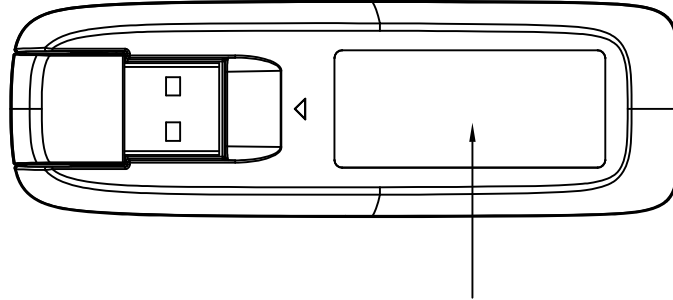




WIXUBB-116X116WW




Model Name: WIXUBB-116

5Vdc, 300mA


MAC: XXXXXXXXXXXX


 FCC ID: MXF- WIXUBB-116


S/N: PPMYYWWXXXXX

CNC ID: C-9564
Made In China

Back label

- 注意:
1. Back Label需貼於凹槽內，且位置居中，請注意張貼方向。
 2. BARCODE: CODE128。
 3. S/N Rule: PPMYYWWXXXXX
 PP: 95 (Product ID, fixed)
 MM: GT (Gemtek ID, fixed)
 YY: Last 2 digits of manufacturing year (e.g. 2011=11)
 WW: Manufacturer Week
 XXXXX: Sequential number (00001~99999)
 4. 各零件內容之檢驗, 依各料號之材料承認書。
 5. 製造地請依實際生產地變更。

Description	Back label	P/N	42K-900-0685R	Description	P/N	REV.
 正文科技股份有限公司 Wireless Broadband Anywhere Gemtek Technology Co., Ltd.				TITLE : Package Standard Operation Procedure		990-500-0178R 1.0