

Introduction

This Quick Installation Guide covers the basic installation of the PRO 6000 CPE. For more information, refer to the relevant sections in the Product Manual.

CAUTION



ONLY experienced installation professionals who are familiar with local building and safety codes and, wherever applicable, are licensed by the appropriate government regulatory authorities should install outdoor units and antennas.

Failure to do so may void the product warranty and may expose the end user or Service Provider to legal and financial liabilities. The manufacturer and its resellers or distributors are not liable for injury, damage or regulation violations associated with the installation of Outdoor Units or antennas.

Français

SEULS les installateurs professionnels expérimentés qui sont familiers avec les codes locaux des bâtiments et de la sécurité et, lorsque cela s'applique, qui sont autorisés par les autorités gouvernementales de régulation, doivent installer les unités extérieures et les antennes. Le non-respect de cette clause peut invalider la garantie du produit et exposer l'utilisateur final ou le prestataire de services à des responsabilités légales et financières. Le fabricant et ses revendeurs ou distributeurs ne sont pas responsables pour toute blessure, dommage ou violation de la réglementation associée à l'installation d'unités extérieures ou d'antennes.

Italiano

ATTENZIONE: SOLO professionisti esperti che hanno familiarità con le norme di costruzione locali e coi codici di sicurezza e, ove applicabile, sono autorizzati dalle autorità governative competenti possono installare unità esterne ed antenne. Assicurarsi che le unità esterne, antenne e strutture di supporto siano installate correttamente per eliminare ogni pericolo fisico a persone o cose. In caso contrario, ciò può invalidare la garanzia del prodotto e può esporre l'utente finale o il fornitore di servizi a responsabilità legali ed economiche. Anche quando la messa a terra non è obbligatoria in base alla normativa regolatoria applicabile e ai codici nazionali, è obbligatorio garantire che l'unità esterna e il palo dell'antenna siano messi a terra e idonei dispositivi di protezione contro i fulmini siano utilizzati in modo da fornire protezione contro le sovratensioni e le scariche statiche. In ogni caso, il Fornitore e i suoi rivenditori non sono responsabili per eventuali danni fisici, danni ad oggetti o violazioni del regolamento associati con o causati dall'installazione, la messa a terra o di protezione contro i fulmini.

Professional Installation Instructions

- 1 Installation personnel - This product is designed for specific application and must be installed by a qualified person who has RF and related rule knowledge. The general user shall not attempt to install or change the settings.
- 2 Installation location - The product shall be installed at a location where the radiating antenna can be kept 60 cm from nearby person in normal operation condition to meet regulatory RF exposure requirements.
- 3 External antenna - Use only the antennas which have been approved by the applicant. The non-approved antenna(s) may produce unwanted spurious or excessive RF transmitting power which may lead to the violation of FCC/IC limit and is prohibited.
- 4 Installation procedure - Please refer to the user's manual for the details.
- 5 Warning - Please carefully select the installation position and make sure that the final output power does not exceed the limit set force in relevant rules. The violation of the rule could lead to serious federal penalty.

Instructions d'installation professionnelle

- 1 Installation - Ce produit est destiné à un usage spécifique et doit être installé par un personnel qualifié maîtrisant les radiofréquences et les règles s'y rapportant. L'installation et les réglages ne doivent pas être modifiés par l'utilisateur final.
- 2 Emplacement d'installation - En usage normal, afin de respecter les exigences réglementaires concernant l'exposition aux radiofréquences, ce produit doit être installé de façon à respecter une distance de 60cm entre l'antenne émettrice et les personnes.
- 3 Antenne externe - Utiliser uniquement les antennes approuvées par le fabricant. L'utilisation d'autres antennes peut conduire à un niveau de rayonnement essentiel ou non essentiel dépassant les niveaux limites définis par FCC/IC, ce qui est interdit.
- 4 Procédure d'installation - Consulter le manuel d'utilisation.
- 5 Avertissement - Choisir avec soin la position d'installation et s'assurer que la puissance de sortie ne dépasse pas les limites en vigueur. La violation de cette règle peut conduire à de sérieuses pénalités fédérales.

Overview

The PRO 6000 CPE is a WiMAX subscriber station designed to provide Internet access for a home or small office. The PRO CPE includes an **outdoor unit** (ODU) connected to an **indoor unit** (IDU). The ODU provides the WiMAX Internet link, and the IDU serves as the gateway for a local Ethernet wired and phone.

The indoor unit includes:

- One standard RJ-45 Ethernet port for LAN connections,
- One 8 PIN RJ-45 Ethernet port for connection to the ODU. This cable provides a dedicated Power-over-Ethernet (PoE) power supply to the ODU, as well as a data link between the ODU and the IDU. The IDU should be connected to an AC power connection.
- One RJ-11 port for telephone (VoIP) connection

The PRO CPE provides a web-based management interface for the configuration of all features.

Package Content

Please make sure that each package contains the items listed below:

- Outdoor WiMAX unit (ODU)
- Indoor Power Supply unit (IDU) with adaptor plug
- Crossed Ethernet cable with two RJ-45 connectors for connecting the IDU to a PC/HUB/switch.
- Pole mounting kit
- Optional - Tilt Accessory kit (ordered separately)
- This Quick Installation Guide



Figure 1: ODU and IDU

Additional Installation Requirements

- Indoor-to-outdoor Category 5E PoE 4x2x24# FTP Ethernet cable with two shielded RJ-45 connectors* and an RJ-45 connectors crimping tool.
- Grounding cable with an appropriate termination.
- Sealing materials: mastic tape (Scotchfil™ Electrical Insulation Putty), Cold Shrink sealing kit.
- Installation tools and materials
- Sealing gland fastening tool*

INFORMATION



Items marked with an asterisk (*) are available from the manufacturer.

Installing the ODU

Before installing the CPE, verify that you have all the items listed in the package checklist. If any of the items are missing or damaged, contact your WiMAX service provider.

Selecting a Location

The ODU should be pole-mounted outdoors and aligned so its antenna faces the nearest WiMAX base station. When selecting a suitable location for the unit, consider these guidelines:

- Place the ODU as high as possible to achieve the best possible link quality.
- Place the ODU away from power and telephone lines.
- Avoid placing the ODU too close to any metallic reflective surfaces.
- Be sure to ground the ODU with an appropriate grounding wire (not included) by attaching it to the grounding screw on the unit and to a good ground connection.

Mounting the ODU

Mount the ODU unit on a 1"-4" pole using the supplied kit (Figure 2), or the optional Tilt accessory.

Using the Clamp

- 1 Thread the M10*100mm bolt through a spring washer, flat washer and the bracket holes.
- 2 With the connector facing downward, attach the ODU to a 1" -4" pole.
- 3 Attach the bracket to the other side of the pole.
- 4 Thread the M10*100 mm bolts through both holes on either side. Tighten the nuts.

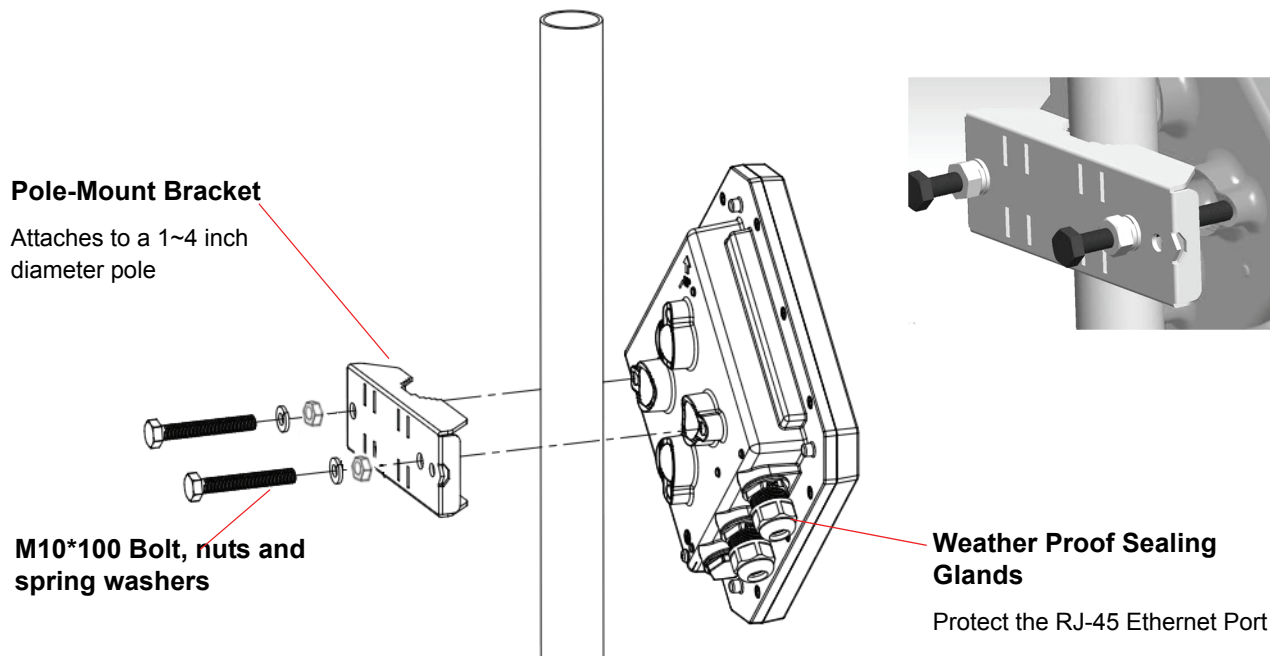


Figure 2: Mounting the ODU on the Pole

Using the Tilt Accessory

- 1 Attach the Tilt accessory to the ODU using the two pairs of flat washers, spring washers and nuts supplied in the Tilt kit.
- 2 Mount the Tilt accessory on a 1" to 4" pole using two 9/16" metal bands.
- 3 Slightly release the Tilt Control Screw, tilt the ODU downward/upward as required, and re-tighten the screw.

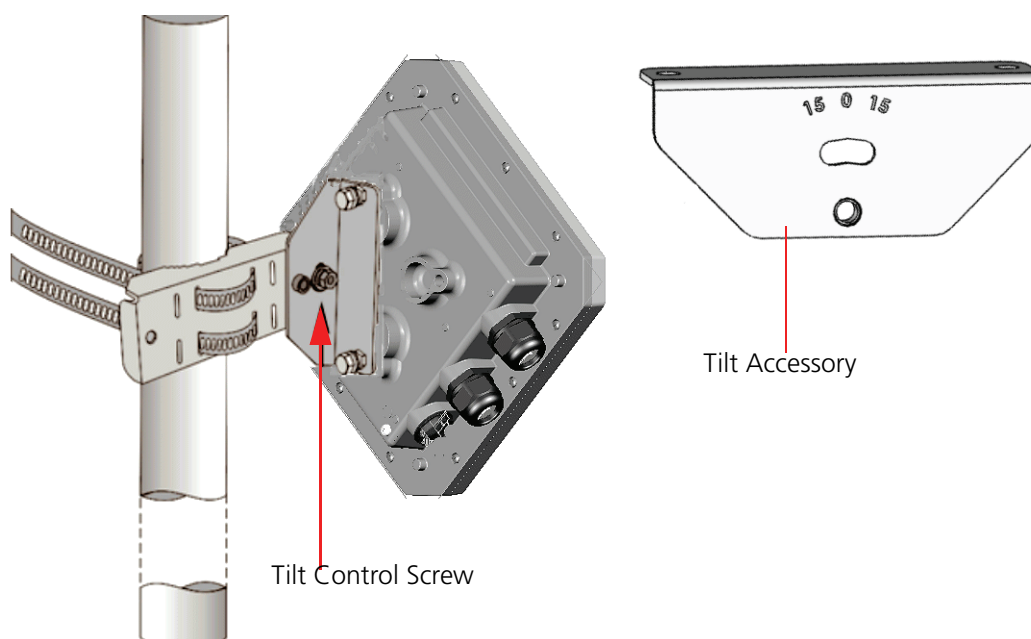


Figure 3: ODU Pole Installation Using the Tilt Accessory, Vertical Polarization

Installing The IDU

The IDU can only be mounted indoors. It should be mounted on any horizontal surface, such as a desktop or shelf. Be sure to select a suitable location for the device within 100 m (328 ft.) of the ODU. Consider these guidelines:

- Select a cool, dry place, which is out of direct sunlight.
- The device must be near an AC power outlet that provides 100 to 240 V, 50 to 60 Hz with proper grounding.
- The device should be accessible for network cabling.
- The overall length of the Ethernet cables from the ODU to the IDU and from the IDU to the PC must not exceed 100m.

You must plan a cable route from the ODU to the IDU indoors. Consider these guidelines:

- Determine a building entry point for the cable.
- Determine if conduits, bracing, or other structures are required for safety or protection of the cable.
- For additional lightning protection, it is recommended to use a lightning arrestor immediately before the Ethernet cable enters the building.

Connecting the Cables

CAUTION Use ONLY the power adapter supplied with the IDU. Otherwise, the product may be damaged.

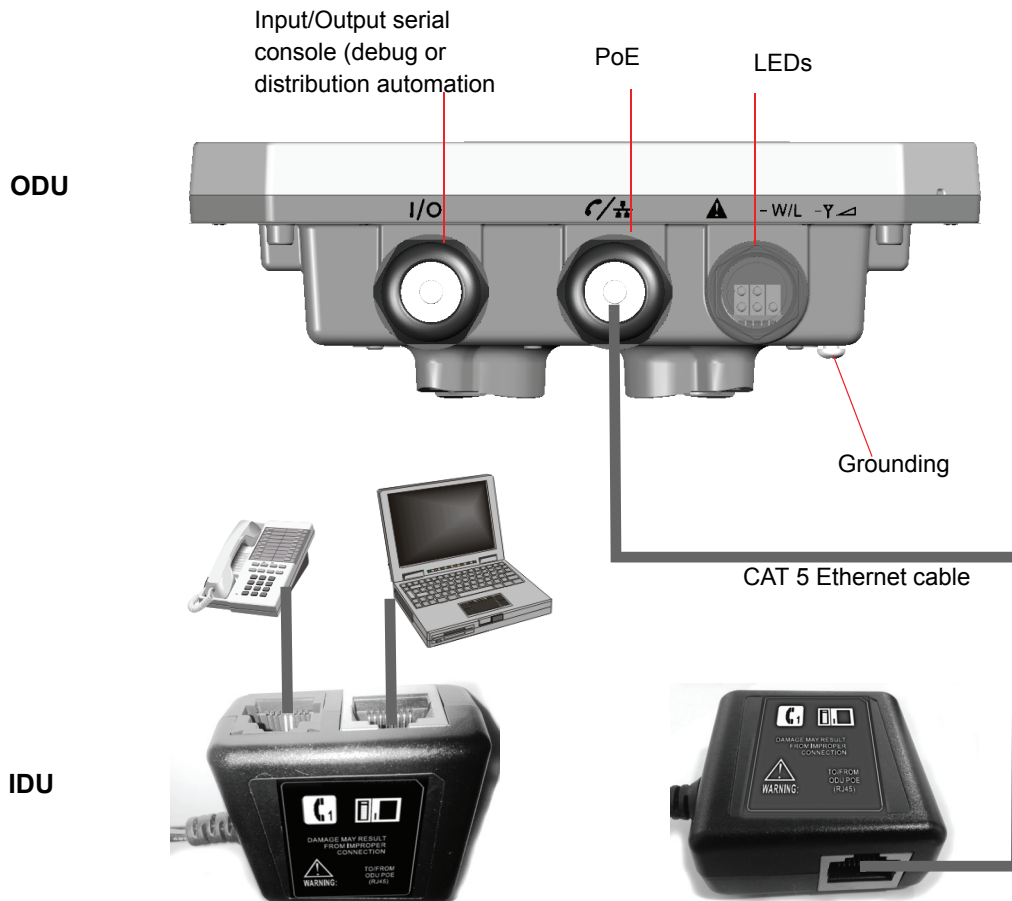


Figure 4: CPE Connections

Outdoor Connections

Connecting the Grounding Cable

Connect a grounding cable between the Ground terminal of the ODU (marked \perp) and a good ground connection.

Preparing and Connecting the IDU-ODU Cable

Use only Category 5E 4x2x24# FTP outdoor cables from an approved manufacturer. The cable provides pin-to-pin connection on both ends.

- 1 Prepare the cable: Use a crimp tool for RJ-45 connectors to prepare the wires. Insert them into the appropriate pins and use the tool to crimp the connector. Make sure to do the following:
 - » Remove as small a length as possible of the external jacket. Verify that the external jacket is well inside the sealing cover when connected to the unit, to ensure good sealing.
 - » Pull back the shield drain wire before inserting the cable into the RJ-45 connector, to ensure a good connection with the connector's shield after crimping.

The following figure shows the required wire pair connections. The color codes used in standard cables supplied by the manufacturer are as listed in the table:

Wire color	Pin
Blue	1
Blue/white	2
Orange	3
Orange/white	6
Brown	4
Brown/white	5
Green	7
Green/white	8

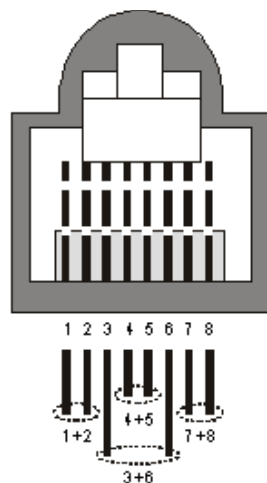


Figure 5: Ethernet Connector Pin Assignments

- 2 Connect the cable (see Figure 6):
 - a Remove the sealing gland plug from the gland nut.
 - b Open the sealing gland nut and remove it. *Do not* disassemble the gland base from the bracket.
 - c Insert the cable into the sealing gland base and connect it to the RJ-45 connector at the bottom of the CPE, labeled . Make sure that the connector is completely inserted and tightened.
 - d Insert the rubber bushing on the cable into the gland base.

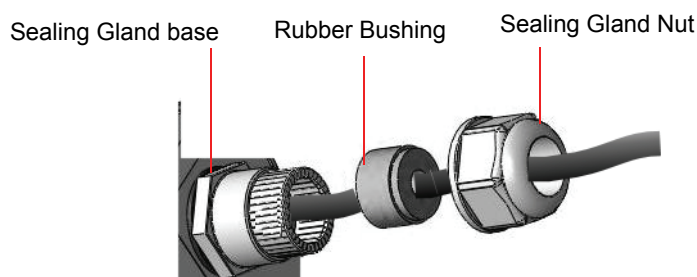


Figure 6: Inserting the Cable into the Sealing Cap

- e Tighten the gland nut. Use the dedicated tool for fastening the sealing glands.

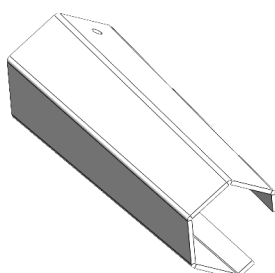


Figure 7: Sealing Gland Fastening Tool

- 3 Seal the connector:
 - a Attach the mastic tape (Scotchfil™ Electrical Insulation Putty) and wrap it around the connector butting up against the connector. Do not over stretch.
 - b Squeeze to tighten the mastic sealer. Make sure there are no air bubbles.
 - c Slide the cold shrink sleeve on top of the connector. Make sure that the sleeve covers both cable connector and unit connector.

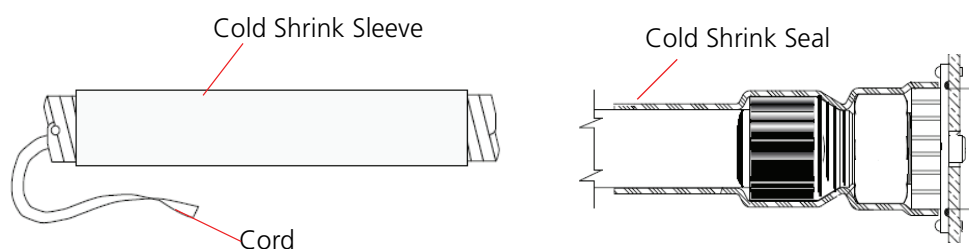


Figure 8: Cold Shrink Tubing

- d Pull the cord slowly to shrink the sleeve.

Indoor Connections

- 1 Assemble an RJ-45 connector with a protective cover on the other end of the IDU-ODU cable. Refer to the pin assignment and color codes in standard cables described above.
- 2 Connect the other end of the IDU-ODU cable to the single connector on the IDU, labeled "TO/FROM ODU PoE (RJ45)" (see Figure 4).
- 3 Connect one end of the supplied Ethernet cable to a PC/Hub/Switch.
- 4 Connect the other end of the Ethernet cable to the IDU port, labeled with a computer illustration (see Figure 4).

CAUTION

Do not connect the data equipment to the PoE port on the IDU, as it supplies DC power to the ODU, and this may harm other equipment connected to it.



- 5 Use a telephone cable to connect a phone to the connector labeled with a telephone illustration (see Figure 4)
- 6 Connect the indoor unit to the AC mains using the power adapter supplied with the unit.

Checking for Proper Operation

- 1 Verify data connectivity by sending a ping command to the BTS or by connecting to the Internet.
- 2 Check the LED functionality according to the following table:

Description	Color	Functionality
Fault + Ethernet indication LED	Red	<ul style="list-style-type: none"> • Lights at start up • During the built-in test (BIT) blinks (300ms on, 300ms off) • Off/On - If BIT completed successfully. If BIT failed, it continues lightning • On - If fatal error/critical alarm appears during run time • Blinking - If PoE Ethernet is connected and no errors found (1sec on, 3sec off).
WiMAX W/L link availability LED	Green	<ul style="list-style-type: none"> • Lights at start up • Off - upon BIT completion • Blinking - the CPE is synchronized with the BS and $5 > \text{SNR} \geq 3\text{dB}$. • On - when the CPE is synchronized with the BS and the $\text{SNR} \geq 5\text{dB}$

Description	Color	Functionality
3 x WiMAX link signal strength LEDs	Green	<ul style="list-style-type: none"> Lights at start up. Off - upon BIT completion Signal strength display: <ul style="list-style-type: none"> LED1 blinks when $12 > \text{SNR} \geq 8\text{dB}$ LED1 lights when $\text{SNR} \geq 12\text{dB}$ LED2 blinks when $18 > \text{SNR} \geq 15\text{dB}$ LED 2 lights when $\text{SNR} \geq 18\text{dB}$ LED3 (right side) blinks when $25 > \text{SNR} \geq 20\text{dB}$ LED3 (right side) lights when $\text{SNR} \geq 25\text{dB}$

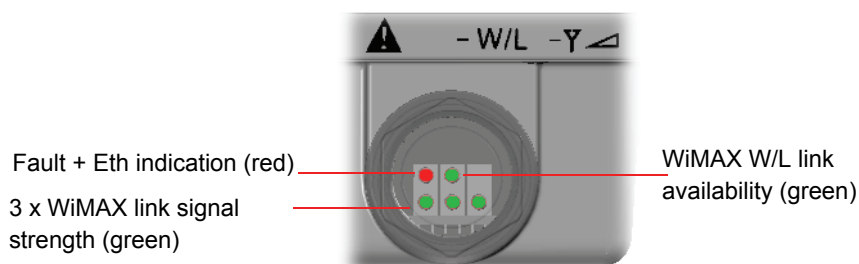


Figure 9: ODU LEDs

Commissioning

- 1 The PC receives an IP by DHCP, as DHCP server is enabled by default. Alternatively you can manually set the PC's IP settings to 192.168.254.250, then follow the instructions below to access the web interface and start the Setup Wizard.
- 2 From a connected PC, use a web browser to access the CPE's web interface. The web interface allows you to configure WiMAX settings.
- 3 Open your web browser and type the IP address 192.168.254.251
- 4 Type the default username/password: admin/admin and click LOGIN .
- 5 Configure the basic parameters required for connectivity with the BTS. The following table includes the basic parameters and their default values.

Basic Parameters

Table 1: Basic Parameters

Item	Default Value	Comment
User Name (WiMAX)	WAN mac address and WiMax.com realm, e.g: 0026824EE12C@WiMax.com	Should be supplied by system administrator. Configured in the Advanced> Authentication window
WiMAX Password	quickyunikynyoky	
Domain	(also Eng > WiMAX Config > Realm)	
Frequency	Full Scan	Should be supplied by system administrator.
Telephony - SIP Server, phone number, authentication, enable the phone	Disabled	Optional VoIP is disabled by default and should be enabled by the operator

Federal Communication Commission Interference Statement

This equipment has been tested and found to comply with RSS-192 and 197 of the Industry Canada Rules. This equipment also complies with the limits for a class B digital device, pursuant to ETSI EN 301 489-1 and Part 15 of the FCC Rules. These limits are designed to provide reasonable protection against harmful interference in a residential installation. This equipment generates, uses and can radiate radio frequency energy and, if not installed and used in accordance with the instructions, may cause harmful interference to radio communications. However, there is no guarantee that interference will not occur in a

particular installation. If this equipment does cause harmful interference to radio or television reception, which can be determined by turning the equipment off and on, the user is encouraged to try to correct the interference by one of the following measures:

- Reorient or relocate the receiving antenna.
- Increase the separation between the equipment and receiver.
- Connect the equipment into an outlet on a circuit different from that to which the receiver is connected.
- Consult the dealer or an experienced radio/TV technician for help.

This device complies with Part 15 of the FCC Rules. Operation is subject to the following two conditions:

- (1) This device may not cause harmful interference, and
- (2) this device must accept any interference received, including interference that may cause undesired operation.

FCC Radiation Exposure Statement

This equipment complies with FCC radiation exposure limits set forth for an uncontrolled environment. This equipment should be installed and operated with minimum distance 24cm between the radiator and your body.

This transmitter must not be co-located or operating in conjunction with any other antenna or transmitter.

Europe - EU Declaration of Conformity

This device complies with the essential requirements of the R&TTE Directive 1999/5/EC. The following test methods have been applied in order to prove presumption of conformity with the essential requirements of the R&TTE Directive 1999/5/EC:

- EN 60950-1:2006 + A11:2009 + A1:2010 + A12: 2011
- EN 302 326-2 V1.2.2: 2007
- EN 302 326-3 V1.3.1 : 2008
- EN50385 : 2002
- EN 301 489-1 V1.9.2 (2011-09)
- EN 301 489-4 V1.4.1: 2009

Industry Canada statement

This device complies with RSS-192 & RSS-197 of the Industry Canada Rules. Operation is subject to the following two conditions:

- 1) This device may not cause harmful interference, and
- 2) this device must accept any interference received, including interference that may cause undesired operation.

Ce dispositif est conforme à la norme CNR-192 & CNR-197 d'Industrie Canada applicable aux appareils radio exempts de licence. Son fonctionnement est sujet aux deux conditions suivantes: (1) le dispositif ne doit pas produire de brouillage préjudiciable, et (2) ce dispositif doit accepter tout brouillage reçu, y compris un brouillage susceptible de provoquer un fonctionnement indésirable.

NOTE!



Radiation Exposure Statement:

This equipment complies with Canada radiation exposure limits set forth for an uncontrolled environment. This equipment should be installed and operated with minimum distance 60 cm between the radiator & your body.

Français

Pour l'utilisation de dispositifs mobiles

Déclaration d'exposition aux radiations:

Cet équipement est conforme aux limites d'exposition aux rayonnements IC établies pour un environnement non contrôlé. Cet équipement doit être installé et utilisé avec un minimum de 60 cm de distance entre la source de rayonnement et votre corps.

CAUTION



Any changes or modifications not expressly approved by the party responsible for compliance could void the user's authority to operate this equipment

cs Česky [Czech]	<i>[Jméno výrobce]</i> tímto prohlašuje, že tento <i>[typ zařízení]</i> je ve shodě se základními požadavky a dalšími příslušnými ustanoveními směrnice 1999/5/ES.
da Dansk [Danish]	Undertegnede <i>[fabrikantens navn]</i> erklærer herved, at følgende udstyr <i>[udstyrets typebetegnelse]</i> overholder de væsentlige krav og øvrige relevante krav i direktiv 1999/5/EF.
de Deutsch [German]	Hiermit erkläre <i>[Name des Herstellers]</i> , dass sich das Gerät <i>[Gerätetyp]</i> in Übereinstimmung mit den grundlegenden Anforderungen und den übrigen einschlägigen Bestimmungen der Richtlinie 1999/5/EG befindet.
et Eesti [Estonian]	Käesolevaga kinnitab <i>[tootja nimi = name of manufacturer]</i> seadme <i>[seadme tüüp = type of equipment]</i> vastavust direktiivi 1999/5/EÜ põhinõuetele ja nimetatud direktiivist tulenevatele teistele asjakohastele sätetele.
en English	Hereby, <i>[name of manufacturer]</i> , declares that this <i>[type of equipment]</i> is in compliance with the essential requirements and other relevant provisions of Directive 1999/5/EC.
es Español [Spanish]	Por medio de la presente <i>[nombre del fabricante]</i> declara que el <i>[clase de equipo]</i> cumple con los requisitos esenciales y cualesquiera otras disposiciones aplicables o exigibles de la Directiva 1999/5/CE.
el Ελληνική [Greek]	ΜΕ ΤΗΝ ΠΑΡΟΥΣΑ <i>[name of manufacturer]</i> ΔΗΛΩΝΕΙ ΟΤΙ <i>[type of equipment]</i> ΣΥΜΜΟΡΦΩΝΕΤΑΙ ΠΡΟΣ ΤΙΣ ΟΥΣΙΩΔΕΙΣ ΑΠΑΙΤΗΣΕΙΣ ΚΑΙ ΤΙΣ ΛΟΙΠΕΣ ΣΧΕΤΙΚΕΣ ΔΙΑΤΑΞΕΙΣ ΤΗΣ ΟΔΗΓΙΑΣ 1999/5/EK.
fr Français [French]	Par la présente <i>[nom du fabricant]</i> déclare que l'appareil <i>[type d'appareil]</i> est conforme aux exigences essentielles et aux autres dispositions pertinentes de la directive 1999/5/CE.
it Italiano [Italian]	Con la presente <i>[nome del costruttore]</i> dichiara che questo <i>[tipo di apparecchio]</i> è conforme ai requisiti essenziali ed alle altre disposizioni pertinenti stabilite dalla direttiva 1999/5/CE.
Latviski [Latvian]	Ar šo <i>[name of manufacturer / izgatavotāja nosaukums]</i> deklarē, ka <i>[type of equipment / iekārtas tips]</i> atbilst Direktīvas 1999/5/EK būtiskajām prasībām un citiem ar to saistītajiem noteikumiem.
Lietuvių [Lithuanian]	Šiuo <i>[manufacturer name]</i> deklaruoją, kad šis <i>[equipment type]</i> atitinka esminius reikalavimus ir kitas 1999/5/EB Direktyvos nuostatas.
nl Nederlands [Dutch]	Hierbij verklaart <i>[naam van de fabrikant]</i> dat het toestel <i>[type van toestel]</i> in overeenstemming is met de essentiële eisen en de andere relevante bepalingen van richtlijn 1999/5/EG.
mt Malti [Maltese]	Hawnhekk, <i>[isem tal-manifattur]</i> , jiddikjara li dan <i>[il-mudel tal-prodott]</i> jikkonforma mal-ħtiġijiet essenzjali u ma provvedimenti oħrajn rilevanti li hemm fid-Dirrettiva 1999/5/EC.
hu Magyar [Hungarian]	Alulírott, <i>[gyártó neve]</i> nyilatkozom, hogy a <i>[... típus]</i> megfelel a vonatkozó alapvető követelményeknek és az 1999/5/EC irányelv egyéb előírásainak.
pl Polski [Polish]	Niniejszym <i>[nazwa producenta]</i> oświadczam, że <i>[nazwa wyrobu]</i> jest zgodny z zasadniczymi wymogami oraz pozostałymi stosownymi postanowieniami Dyrektywy 1999/5/EC.
pt Português [Portuguese]	<i>[Nome do fabricante]</i> declara que este <i>[tipo de equipamento]</i> está conforme com os requisitos essenciais e outras disposições da Directiva 1999/5/CE.
sl Slovensko [Slovenian]	<i>[Ime proizvajalca]</i> izjavlja, da je ta <i>[tip opreme]</i> v skladu z bistvenimi zahtevami in ostalimi relevantnimi določili direktive 1999/5/ES.
■ Slovensky [Slovak]	<i>[Meno výrobcu]</i> týmto vyhlasuje, že <i>[typ zariadenia]</i> spĺňa základné požiadavky a všetky príslušné ustanovenia Smernice 1999/5/ES.
fi Suomi [Finnish]	<i>[Valmistaja = manufacturer]</i> vakuuttaa täten että <i>[type of equipment = laitteen tyyppimerkintä]</i> tyyppinen laite on direktiivin 1999/5/EY oleellisten vaatimusten ja sitä koskevien direktiivin muiden ehtojen mukainen.
sv Svenska [Swedish]	Härmed intygar <i>[företag]</i> att denna <i>[utrustningstyp]</i> står i överensstämmelse med de väsentliga egenskapskrav och övriga relevanta bestämmelser som framgår av direktiv 1999/5/EG.